

2014 Caterpillar AD45B 100-TR-020



Make	Caterpillar		Model	AD45B		
Year	2014	Hours	14543		As at	09/09/2018
Mileage				km	As at	
Serial/VIN	CATAD45BHCXM00560			Engine Serial		
Details	<p>2014 Caterpillar AD45B asset # 100-TR-020 This Caterpillar AD45B underground dump truck has 16,600 frame hours and has done 7,000 hours since rebuild in 2017 by PJL Group with a budget spend at that time of around \$900 K. Scope of work, Budget cost and Work orders report for this Caterpillar AD45B can be found in the GES Equipment Report PDF on the auction page for this asset.</p> <p>Offered for sale via online auction on an As IS basis running to drive on to buyers ex site Cobar, NSW. Australia.</p>					
Asking price	AUD	Under review - call for pricing				
Ex site	Australia, New South Wales, Cobar					

Service history

Rebuilt Q3 2017 by PJL Group.
Frame hours at April Valuation: 11900 recorded 09/04/2018

**For further details, to make an offer or book an inspection, contact
Global Equipment Solutions on Office: 08 9201 1142**











SCOPE OF WORK	100-TR-020 CAT AD45B
Frame & Body	\$94,450
Material Costs	\$29,500
Labour Costs	\$64,950
Other Costs	\$0
Engine, Fuel, Exhaust & Cooling	\$305,000
Material Costs	\$240,000
Labour Costs	\$65,000
Other Costs	\$0
Powertrain & Driveline	\$296,000
Material Costs	\$248,000
Labour Costs	\$48,000
Other Costs	\$0
Hydraulics	\$127,500
Material Costs	\$91,500
Labour Costs	\$36,000
Other Costs	\$0
Electrical & Systems	\$54,000
Material Costs	\$35,000
Labour Costs	\$19,000
Other Costs	\$0
Cabin & Operators Station	\$45,900
Material Costs	\$24,900
Labour Costs	\$21,000
Other Costs	\$0
Fire Suppression	\$8,200
Material Costs	\$4,000
Labour Costs	\$4,200
Other Costs	\$0
Commissioning	\$11,950
Material Costs	\$1,200
Labour Costs	\$10,750
Other Costs	\$0
Other	\$15,000
Material Costs	\$0
Labour Costs	\$0
Other Costs	\$15,000
Warranty	\$0
Material Costs	\$0
Labour Costs	\$0
Other Costs	\$0
Exclusions	
TOTAL	
Material Costs	\$674,100
Labour Costs	\$268,900
Other Costs	\$15,000
GRAND TOTAL	\$958,000

SCOPE OF WORK	100-TR-018 CAT AE45B	100-TR-019 CAT AE45B	100-TR-020 CAT AD45B	100-TR-021 CAT AD45B
Frame & Body				
1. Full strip to bare frame.	X	X	X	X
2. Blast and repaint, Inspect all welds for cracks. Complete 10% NDT (die penetrant or similar) covering structurally significant areas. Gouge and repair as required. Send NDT results and notify PGM of any extensive work or areas of concern	X	X	X	X
covering structurally significant areas. Cut out and replace with plate steel as required. Notify PGM of any extensive work or areas of concern	X	X	X	X
4. Check all bush bores for roundness against OEM specification. If near or exceeding tolerances line bore as required to OEM spec.	X	X	X	X
5. Replace all pins & bushes with new OEM parts as per latest upgrades/CAT service bulletins	X	X	X	X
6. Refurbish all covers, guards, walkways and handrails. Booth handrails system to be refurbished where able or notify Peak who will supply if replacement is required.	X	X	X	X
7. Tub to be fully relined with bisalloy plate	X	X	X	X
8. All bumpers are to be replaced with new and installed unpainted	X	X	X	X
9. All frame bores for cylinders (suspension, lift, ejector, tail gate, etc.) are to be assessed and line bored if out of OEM specification	X	X	X	X
Material Costs				
Labour Costs				
Engine, Fuel, Exhaust & Cooling				
1. Engine to be replaced with new OEM The existing engine is available to the vendor or the vendor can quote to refurbish if repairable. Performance results to be included in rebuild report.	X	X	X	X
NOTE: TR18 Engine is to be returned to PGM				
2. Replace all valving, tanks and circuit components including thermostats, pumps, pipes & retainers with new	X	X	X	X
3. Replace cooler packs and all associated hoses with new	X	X	X	X
4. Remove DPF and service. Connect monitoring system and refurbish exhaust system. Complete back pressure testing and include results in rebuild report	X	X	X	X
5. Replace all fuel lines with braided hose as per latest upgrade to OEM specifications	X	X	X	X
6. Complete latest Ventilation Reduction (VR) upgrade as per OEM specification	X	X	X	X
Material Costs				
Labour Costs				
Powertrain & Driveline				
1. Replace front and rear axles with new OEM editions including latest upgrades of pins and planetaries.	X	X	X	X
2. Refurbish all drive shafts	X	X	X	X
3. Strip and assess convertor. Refurbish with all new OEM components as per latest upgrades if suitable. Complete dyno testing. Include details, photos and dyno results in rebuild report	X	X	X	X

4. Strip and assess transmission. Refurbish with all new OEM components as per latest upgrades if suitable. Complete dyno testing. Include details, photos and dyno results in rebuild report	X	X	X	X
5. Remove, inspect and crack test rims. Provide certification Include details and photos in rebuild report	X	X	X	X
6. Replace all tyres with Bridgestone 295R29 VSNI 1L D2A. The used tyre are available to the vendor or can be sent to the Tyre Doctor (Leeton, NSW) if repairable	X	X	X	X
Material Costs				
Labour Costs				
Hydraulics				
1. All hydraulic hose's to be replaced with new. All exposed hosing to be spiral wrapped	X	X	X	X
2. Replace all valving, tanks and circuit components including pumps, accumulators, pipes & retainers with new as per the latest OEM upgrades	X	X	X	X
3. Overhaul auto-grease system. Replace hoses, valving and nozzles with new.	X	X	X	X
4. Strip and assess steering cylinders. Rebuild with all new parts to the latest specification Include details and photos in rebuild report	X	X	X	X
5. Strip and assess suspension cylinders. Rebuild with all new parts to the latest specification Include details and photos in rebuild report	X	X	X	X
6. Strip and assess ejector cylinders. Rebuild with all new parts to the latest specification Include details and photos in rebuild report	X	X	NA	NA
7. Strip and assess tail gate cylinders. Rebuild with all new parts to the latest specification Include details and photos in rebuild report	X	X	NA	NA
8. Strip and assess lift cylinders. Rebuild with all new parts to the latest specification Include details and photos in rebuild report	NA	NA	X	X
Material Costs				
Labour Costs				
Electrical & Systems				
1. All wiring harnesses, solenoids, switches and sensors to be replaced with new, routed and secured neatly. Do NOT painted	X	X	X	X
2. VIMS to be configured and tested to ensure it is operational	X	X	X	X
3. Replace all lighting with new like-for-like	X	X	X	X
Material Costs				
Labour Costs				
Cabin & Operators Station				
1. Strip and refurbish cabin	X	X	X	X
2. Replace the seat with new like-for-like	X	X	X	X
Material Costs				
Labour Costs				
Fire Suppression				
parts Supply test certificate	X	X	X	x
Material Costs				
Labour Costs				
Commissioning				

1. The machine is to be fully functionally tested with load for no less than 20hrs	X	X	X	X
2. The vendor is to factor in 5 days into their schedule near completion whereby PGM technicians or delegates (external party) will be on premises to conduct testing & commissioning activities. A checklist will be provided prior to the rebuild commencing. It is expected that vendor personnel and equipment is on-hand for assistance	X	X	X	X
weeks to complete any onsite commissioning and troubleshoot any issues	X	X	X	X
4. The Vendor is to supply all commissioning documents and pressure testing certification which must be approved by PGM prior to delivery	X	X	X	X
Material Costs				
Labour Costs				
Other				
1. Freight to and from PGM to vendors facility	X	X	X	X
2. All freight of parts and components	X	X	X	X
3. All project management and supervisor including preparation of the rebuild report	X	X	X	X
Costs				
Warranty				
1. 12 month/5,000hrs powertrain	X	X	X	X
2. 6 month hydraulic components and hosing	X	X	X	X
Cost				
Exclusions				
NIL				
General Notes				
1. All major components to be replaced or rebuild using genuine OEM parts only				
2. Unit to be supplied compliant to MDG 15				
3. The vendor is to provide an update on progress and expected completion date every week at a minimum				
4. PGM encourages the vendor to submit in writing any initiatives, recommendations or defects not covered in this scope. This will be discussed between the two parties to determine the course of action and subsequent variations				
5. It is expected that this scope including all commissioning requirements can be completed within 12 weeks.				
Total Material Costs				
Total Labour Costs				
Total Other				
Grand Total				

Equipment	Description	Actual Start Date	Operation Text	Actual Finish Date
100-TR-020	500HR CAT AD45B TRUCK SERVICE	20180907	500HR CAT AD45B TRUCK MECH SERVICE	20180917
100-TR-020	100-TR-020 AD45B DAILY SERVICE	20180905	AD45B DAILY SERVICE SUNDAY	0
100-TR-020	100-TR-020 AD45B DAILY SERVICE	20180905	AD45B DAILY SERVICE TUESDAY	0
100-TR-020	100-TR-020 AD45B DAILY SERVICE	20180905	AD45B DAILY SERVICE WEDNESDAY	20180917
100-TR-020	100-TR-020 AD45B DAILY SERVICE	20180905	AD45B DAILY SERVICE FRIDAY	0
100-TR-020	100-TR-020 AD45B DAILY SERVICE	20180905	AD45B DAILY SERVICE SATURDAY	0
100-TR-020	100-TR-020 AD45B DAILY SERVICE	20180905	AD45B DAILY SERVICE MONDAY	0
100-TR-020	100-TR-020 AD45B DAILY SERVICE	20180905	AD45B DAILY SERVICE THURSDAY	20180906
100-TR-020-ELC	engine not starting	20180901	engine not starting	20180917
100-TR-020	100-TR-020 AD45B DAILY SERVICE	20180829	AD45B DAILY SERVICE FRIDAY	0
100-TR-020	100-TR-020 AD45B DAILY SERVICE	20180829	AD45B DAILY SERVICE SUNDAY	0
100-TR-020	100-TR-020 AD45B DAILY SERVICE	20180829	AD45B DAILY SERVICE THURSDAY	20180830
100-TR-020	100-TR-020 AD45B DAILY SERVICE	20180829	AD45B DAILY SERVICE TUESDAY	0
100-TR-020	100-TR-020 AD45B DAILY SERVICE	20180829	AD45B DAILY SERVICE WEDNESDAY	20180917
100-TR-020	100-TR-020 AD45B DAILY SERVICE	20180829	AD45B DAILY SERVICE SATURDAY	0
100-TR-020	100-TR-020 AD45B DAILY SERVICE	20180829	AD45B DAILY SERVICE MONDAY	0
100-TR-020-STR	REPLACE TAIL LIGHT BRACKET	20180827	REPLACE TAIL LIGHT BRACKET	20180827
100-TR-020	100-TR-020 AD45B DAILY SERVICE	20180822	AD45B DAILY SERVICE WEDNESDAY	20180917
100-TR-020	100-TR-020 AD45B DAILY SERVICE	20180822	AD45B DAILY SERVICE FRIDAY	20180824
100-TR-020	100-TR-020 AD45B DAILY SERVICE	20180822	AD45B DAILY SERVICE SATURDAY	20180825
100-TR-020	100-TR-020 AD45B DAILY SERVICE	20180822	AD45B DAILY SERVICE SUNDAY	20180826
100-TR-020	100-TR-020 AD45B DAILY SERVICE	20180822	AD45B DAILY SERVICE TUESDAY	20180828
100-TR-020	100-TR-020 AD45B DAILY SERVICE	20180822	AD45B DAILY SERVICE THURSDAY	20180823
100-TR-020	100-TR-020 AD45B DAILY SERVICE	20180822	AD45B DAILY SERVICE MONDAY	20180827
100-TR-020-DRV	REPLACED BRAKE COOLING PIPES	20180822	REPLACED BRAKE COOLING PIPES	20180822
100-TR-020-STR	REPLACE REAR WIPER MOTOR	20180822	REPLACE REAR WIPER MOTOR	20180828
100-TR-020	250HR CAT AD45B TRUCK SERVICE	20180821	250HR CAT AD45B TRUCK MECH SERVICE	20180917
100-TR-020	500HR CAT AD45B EMISSIONS TESTING	20180821	500HR CAT AD45B EMISSIONS TESTING	20180821
100-TR-020-ELC	electrical issues, shutting down on temp	20180821	electrical issues, shutting down on temp	20180828
100-TR-020-STR	replace drivers seat	20180819	replace drivers seat	20180823
100-TR-020-ENG	engine started,stalled wouldn't start	20180817	engine started,stalled wouldn't start	20180820
100-TR-020	100-TR-020 AD45B DAILY SERVICE	20180815	AD45B DAILY SERVICE MONDAY	20180821
100-TR-020	100-TR-020 AD45B DAILY SERVICE	20180815	AD45B DAILY SERVICE FRIDAY	20180817
100-TR-020	100-TR-020 AD45B DAILY SERVICE	20180815	AD45B DAILY SERVICE SATURDAY	20180819
100-TR-020	100-TR-020 AD45B DAILY SERVICE	20180815	AD45B DAILY SERVICE THURSDAY	20180816
100-TR-020	100-TR-020 AD45B DAILY SERVICE	20180815	AD45B DAILY SERVICE TUESDAY	0
100-TR-020	100-TR-020 AD45B DAILY SERVICE	20180815	AD45B DAILY SERVICE WEDNESDAY	20180823
100-TR-020	100-TR-020 AD45B DAILY SERVICE	20180815	AD45B DAILY SERVICE SUNDAY	20180819
100-TR-020-ELC	replace alternator	20180809	replace alternator	20180809
100-TR-020-HYD	AXEL COOLING PIPES U/S	20180809	AXEL COOLING PIPES U/S	20180823
100-TR-020	100-TR-020 AD45B DAILY SERVICE	20180808	AD45B DAILY SERVICE FRIDAY	20180810
100-TR-020	100-TR-020 AD45B DAILY SERVICE	20180808	AD45B DAILY SERVICE SATURDAY	20180811
100-TR-020	100-TR-020 AD45B DAILY SERVICE	20180808	AD45B DAILY SERVICE THURSDAY	20180809
100-TR-020	100-TR-020 AD45B DAILY SERVICE	20180808	AD45B DAILY SERVICE MONDAY	20180813
100-TR-020	100-TR-020 AD45B DAILY SERVICE	20180808	AD45B DAILY SERVICE WEDNESDAY	20180820
100-TR-020	100-TR-020 AD45B DAILY SERVICE	20180808	AD45B DAILY SERVICE SUNDAY	20180812
100-TR-020	100-TR-020 AD45B DAILY SERVICE	20180808	AD45B DAILY SERVICE TUESDAY	20180814
100-TR-020	2000HR CAT AD45B TRUCK SERVICE	20180807	2000HR CAT AD45B TRUCK MECH SERVICE	20180823
100-TR-020	100-TR-020 AD45B DAILY SERVICE	20180801	AD45B DAILY SERVICE MONDAY	20180807
100-TR-020	100-TR-020 AD45B DAILY SERVICE	20180801	AD45B DAILY SERVICE WEDNESDAY	20180820
100-TR-020	100-TR-020 AD45B DAILY SERVICE	20180801	AD45B DAILY SERVICE SUNDAY	20180806
100-TR-020	100-TR-020 AD45B DAILY SERVICE	20180801	AD45B DAILY SERVICE TUESDAY	0
100-TR-020	100-TR-020 AD45B DAILY SERVICE	20180801	AD45B DAILY SERVICE THURSDAY	20180802
100-TR-020	100-TR-020 AD45B DAILY SERVICE	20180801	AD45B DAILY SERVICE FRIDAY	20180803
100-TR-020	100-TR-020 AD45B DAILY SERVICE	20180801	AD45B DAILY SERVICE SATURDAY	20180804
100-TR-020	100-TR-020 AD45B DAILY SERVICE	20180725	AD45B DAILY SERVICE SUNDAY	20180730
100-TR-020	100-TR-020 AD45B DAILY SERVICE	20180725	AD45B DAILY SERVICE SATURDAY	20180730
100-TR-020	100-TR-020 AD45B DAILY SERVICE	20180725	AD45B DAILY SERVICE TUESDAY	0
100-TR-020	100-TR-020 AD45B DAILY SERVICE	20180725	AD45B DAILY SERVICE WEDNESDAY	20180725
100-TR-020	100-TR-020 AD45B DAILY SERVICE	20180725	AD45B DAILY SERVICE MONDAY	0
100-TR-020	100-TR-020 AD45B DAILY SERVICE	20180725	AD45B DAILY SERVICE FRIDAY	20180730
100-TR-020	100-TR-020 AD45B DAILY SERVICE	20180725	AD45B DAILY SERVICE THURSDAY	20180727
100-TR-020-ELC	start fault loose wire	20180724	start fault loose wire	20180724
100-TR-020-ENG	change turbo oil supply line	20180724	change turbo oil supply line	20180724
100-TR-020-HYD	REPLACE COOLING HOSES	20180723	REPLACE COOLING HOSES	20180724
100-TR-020-ENG	turbo oil hose	20180722	turbo oil hose	20180724

100-TR-020-STR	A/C fault	20180722 A/C fault	20180723
100-TR-020-ELC	replace start relay	20180720 replace start relay	20180726
100-TR-020-ENG	replace ac compressor	20180719 replace ac compressor	20180726
100-TR-020	100-TR-020 AD45B DAILY SERVICE	20180718 AD45B DAILY SERVICE FRIDAY	20180720
100-TR-020	100-TR-020 AD45B DAILY SERVICE	20180718 AD45B DAILY SERVICE SATURDAY	0
100-TR-020	100-TR-020 AD45B DAILY SERVICE	20180718 AD45B DAILY SERVICE MONDAY	20180724
100-TR-020	100-TR-020 AD45B DAILY SERVICE	20180718 AD45B DAILY SERVICE THURSDAY	20180719
100-TR-020	100-TR-020 AD45B DAILY SERVICE	20180718 AD45B DAILY SERVICE SUNDAY	0
100-TR-020	100-TR-020 AD45B DAILY SERVICE	20180718 AD45B DAILY SERVICE WEDNESDAY	20180726
100-TR-020	100-TR-020 AD45B DAILY SERVICE	20180718 AD45B DAILY SERVICE TUESDAY	20180724
100-TR-020	250HR CAT AD45B TRUCK SERVICE	20180716 250HR CAT AD45B TRUCK MECH SERVICE	20180718
100-TR-020	500HR CAT AD45B EMISSIONS TESTING	20180716 500HR CAT AD45B EMISSIONS TESTING	20180718
100-TR-020-DRV	POS 3 DUO STARTING TO LEAK	20180716 Pjl - INSPECT POS 3 DUO OIL LEAK	20180822
100-TR-020-ENG	muffler u/s	20180712 muffler u/s	20180713
100-TR-020	100-TR-020 AD45B DAILY SERVICE	20180711 AD45B DAILY SERVICE FRIDAY	20180713
100-TR-020	100-TR-020 AD45B DAILY SERVICE	20180711 AD45B DAILY SERVICE SATURDAY	20180714
100-TR-020	100-TR-020 AD45B DAILY SERVICE	20180711 AD45B DAILY SERVICE MONDAY	20180717
100-TR-020	100-TR-020 AD45B DAILY SERVICE	20180711 AD45B DAILY SERVICE SUNDAY	20180715
100-TR-020	100-TR-020 AD45B DAILY SERVICE	20180711 AD45B DAILY SERVICE TUESDAY	20180717
100-TR-020	100-TR-020 AD45B DAILY SERVICE	20180711 AD45B DAILY SERVICE WEDNESDAY	20180718
100-TR-020	100-TR-020 AD45B DAILY SERVICE	20180711 AD45B DAILY SERVICE THURSDAY	20180712
100-TR-020	100-TR-020 AD45B DAILY SERVICE	20180704 AD45B DAILY SERVICE WEDNESDAY	20180718
100-TR-020	100-TR-020 AD45B DAILY SERVICE	20180704 AD45B DAILY SERVICE THURSDAY	20180710
100-TR-020	100-TR-020 AD45B DAILY SERVICE	20180704 AD45B DAILY SERVICE FRIDAY	0
100-TR-020	100-TR-020 AD45B DAILY SERVICE	20180704 AD45B DAILY SERVICE SATURDAY	20180710
100-TR-020	100-TR-020 AD45B DAILY SERVICE	20180704 AD45B DAILY SERVICE MONDAY	20180710
100-TR-020	100-TR-020 AD45B DAILY SERVICE	20180704 AD45B DAILY SERVICE TUESDAY	0
100-TR-020	100-TR-020 AD45B DAILY SERVICE	20180704 AD45B DAILY SERVICE SUNDAY	20180710
100-TR-020-STR	change flat pos 1	20180703 change flat pos 1	20180917
100-TR-020	500HR CAT AD45B TRUCK SERVICE	20180702 500HR CAT AD45B TRUCK MECH SERVICE	20180718
100-TR-020-ELC	REPLACE EARTH STRAP ON REAR FRAME	20180702 REPLACE EARTH STRAP ON REAR FRAME	20180703
100-TR-020-STR	REPAIR R/H CORNER OF TUB	20180702 REPAIR R/H CORNER OF TUB	20180702
100-TR-020	100-TR-020 AD45B DAILY SERVICE	20180627 AD45B DAILY SERVICE WEDNESDAY	20180718
100-TR-020	100-TR-020 AD45B DAILY SERVICE	20180627 AD45B DAILY SERVICE TUESDAY	20180703
100-TR-020	100-TR-020 AD45B DAILY SERVICE	20180627 AD45B DAILY SERVICE SUNDAY	20180701
100-TR-020	100-TR-020 AD45B DAILY SERVICE	20180627 AD45B DAILY SERVICE THURSDAY	20180628
100-TR-020	100-TR-020 AD45B DAILY SERVICE	20180627 AD45B DAILY SERVICE FRIDAY	20180629
100-TR-020	100-TR-020 AD45B DAILY SERVICE	20180627 AD45B DAILY SERVICE SATURDAY	20180630
100-TR-020	100-TR-020 AD45B DAILY SERVICE	20180627 AD45B DAILY SERVICE MONDAY	20180703
100-TR-020-HYD	TRANSMISSION SIGHT GLASS LEAKING	20180621 TRANSMISSION SIGHT GLASS LEAKING	20180703
100-TR-020	100-TR-020 AD45B DAILY SERVICE	20180620 AD45B DAILY SERVICE FRIDAY	20180622
100-TR-020	100-TR-020 AD45B DAILY SERVICE	20180620 AD45B DAILY SERVICE SATURDAY	20180623
100-TR-020	100-TR-020 AD45B DAILY SERVICE	20180620 AD45B DAILY SERVICE THURSDAY	20180621
100-TR-020	100-TR-020 AD45B DAILY SERVICE	20180620 AD45B DAILY SERVICE WEDNESDAY	20180703
100-TR-020	100-TR-020 AD45B DAILY SERVICE	20180620 AD45B DAILY SERVICE MONDAY	20180626
100-TR-020	100-TR-020 AD45B DAILY SERVICE	20180620 AD45B DAILY SERVICE SUNDAY	20180626
100-TR-020	100-TR-020 AD45B DAILY SERVICE	20180620 AD45B DAILY SERVICE TUESDAY	0
100-TR-020	100-TR-020 AD45B DAILY SERVICE	20180613 AD45B DAILY SERVICE WEDNESDAY	20180703
100-TR-020	100-TR-020 AD45B DAILY SERVICE	20180613 AD45B DAILY SERVICE MONDAY	20180618
100-TR-020	250HR CAT AD45B TRUCK SERVICE	20180613 250HR CAT AD45B TRUCK MECH SERVICE	20180618
100-TR-020	100-TR-020 AD45B DAILY SERVICE	20180613 AD45B DAILY SERVICE FRIDAY	20180615
100-TR-020	100-TR-020 AD45B DAILY SERVICE	20180613 AD45B DAILY SERVICE SATURDAY	20180616
100-TR-020	100-TR-020 AD45B DAILY SERVICE	20180613 AD45B DAILY SERVICE THURSDAY	20180614
100-TR-020	500HR CAT AD45B EMISSIONS TESTING	20180613 500HR CAT AD45B EMISSIONS TESTING	20180703
100-TR-020	100-TR-020 AD45B DAILY SERVICE	20180613 AD45B DAILY SERVICE SUNDAY	20180617
100-TR-020	100-TR-020 AD45B DAILY SERVICE	20180613 AD45B DAILY SERVICE TUESDAY	20180619
100-TR-020	a/c fault broken wire in deutsch plug	20180611 a/c fault broken wire in deutsch plug	20180611
100-TR-020-ELC	A/C FAN NOT WORKING	20180610 A/C FAN NOT WORKING	20180618
100-TR-020	100-TR-020 AD45B DAILY SERVICE	20180606 AD45B DAILY SERVICE WEDNESDAY	20180618
100-TR-020	100-TR-020 AD45B DAILY SERVICE	20180606 AD45B DAILY SERVICE FRIDAY	20180612
100-TR-020	100-TR-020 AD45B DAILY SERVICE	20180606 AD45B DAILY SERVICE SATURDAY	20180610
100-TR-020	100-TR-020 AD45B DAILY SERVICE	20180606 AD45B DAILY SERVICE MONDAY	20180611
100-TR-020	100-TR-020 AD45B DAILY SERVICE	20180606 AD45B DAILY SERVICE SUNDAY	0
100-TR-020	100-TR-020 AD45B DAILY SERVICE	20180606 AD45B DAILY SERVICE TUESDAY	20180614
100-TR-020	100-TR-020 AD45B DAILY SERVICE	20180606 AD45B DAILY SERVICE THURSDAY	20180607
100-TR-020	100-TR-020 AD45B DAILY SERVICE	20180530 AD45B DAILY SERVICE SUNDAY	20180603
100-TR-020	100-TR-020 AD45B DAILY SERVICE	20180530 AD45B DAILY SERVICE FRIDAY	20180601
100-TR-020	100-TR-020 AD45B DAILY SERVICE	20180530 AD45B DAILY SERVICE SATURDAY	20180603
100-TR-020	100-TR-020 AD45B DAILY SERVICE	20180530 AD45B DAILY SERVICE MONDAY	20180604

100-TR-020	100-TR-020 AD45B DAILY SERVICE	20180530 AD45B DAILY SERVICE TUESDAY	20180605
100-TR-020	100-TR-020 AD45B DAILY SERVICE	20180530 AD45B DAILY SERVICE WEDNESDAY	20180618
100-TR-020	100-TR-020 AD45B DAILY SERVICE	20180530 AD45B DAILY SERVICE THURSDAY	20180531
100-TR-020-ELC	alternator charge light on	20180528 alternator charge light on	20180528
100-TR-020	ENGINE OIL LEAK	20180526 ENGINE OIL LEAK	20180526
100-TR-020	1000HR CAT AD45B TRUCK SERVICE	20180524 1000HR CAT AD45B TRUCK MECH SERVICE	20180531
100-TR-020	100-TR-020 AD45B DAILY SERVICE	20180523 AD45B DAILY SERVICE SUNDAY	20180527
100-TR-020	100-TR-020 AD45B DAILY SERVICE	20180523 AD45B DAILY SERVICE FRIDAY	0
100-TR-020	100-TR-020 AD45B DAILY SERVICE	20180523 AD45B DAILY SERVICE SATURDAY	20180528
100-TR-020	100-TR-020 AD45B DAILY SERVICE	20180523 AD45B DAILY SERVICE MONDAY	20180529
100-TR-020	100-TR-020 AD45B DAILY SERVICE	20180523 AD45B DAILY SERVICE WEDNESDAY	20180531
100-TR-020	100-TR-020 AD45B DAILY SERVICE	20180523 AD45B DAILY SERVICE TUESDAY	20180529
100-TR-020	100-TR-020 AD45B DAILY SERVICE	20180523 AD45B DAILY SERVICE THURSDAY	20180528
100-TR-020	100-TR-020 AD45B DAILY SERVICE	20180516 AD45B DAILY SERVICE SUNDAY	20180520
100-TR-020	100-TR-020 AD45B DAILY SERVICE	20180516 AD45B DAILY SERVICE FRIDAY	20180518
100-TR-020	100-TR-020 AD45B DAILY SERVICE	20180516 AD45B DAILY SERVICE SATURDAY	20180519
100-TR-020	100-TR-020 AD45B DAILY SERVICE	20180516 AD45B DAILY SERVICE MONDAY	20180521
100-TR-020	100-TR-020 AD45B DAILY SERVICE	20180516 AD45B DAILY SERVICE WEDNESDAY	20180523
100-TR-020	100-TR-020 AD45B DAILY SERVICE	20180516 AD45B DAILY SERVICE TUESDAY	20180522
100-TR-020	100-TR-020 AD45B DAILY SERVICE	20180516 AD45B DAILY SERVICE THURSDAY	20180517
100-TR-020	100-TR-020 AD45B DAILY SERVICE	20180511 AD45B DAILY SERVICE TUESDAY	20180515
100-TR-020	100-TR-020 AD45B DAILY SERVICE	20180511 AD45B DAILY SERVICE SUNDAY	20180514
100-TR-020	100-TR-020 AD45B DAILY SERVICE	20180511 AD45B DAILY SERVICE WEDNESDAY	0
100-TR-020	100-TR-020 AD45B DAILY SERVICE	20180511 AD45B DAILY SERVICE THURSDAY	0
100-TR-020	100-TR-020 AD45B DAILY SERVICE	20180511 AD45B DAILY SERVICE FRIDAY	20180514
100-TR-020	100-TR-020 AD45B DAILY SERVICE	20180511 AD45B DAILY SERVICE SATURDAY	20180514
100-TR-020	100-TR-020 AD45B DAILY SERVICE	20180511 AD45B DAILY SERVICE MONDAY	20180515
100-TR-020	HYDRAULIC OIL LEAK STEER DIVERTOR VALVE	20180511 HYDRAULIC OIL LEAK STEER DIVERTOR VALVE	20180511
100-TR-020	250HR CAT AD45B TRUCK SERVICE	20180509 250HR CAT AD45B TRUCK MECH SERVICE	20180510
100-TR-020	500HR CAT AD45B EMISSIONS TESTING	20180509 500HR CAT AD45B EMISSIONS TESTING	20180510
100-TR-020-ELC	NOT STATING	20180505 NOT STATING	20180515
100-TR-020	100-TR-020 AD45B DAILY SERVICE	20180502 AD45B DAILY SERVICE FRIDAY	20180505
100-TR-020	100-TR-020 AD45B DAILY SERVICE	20180502 AD45B DAILY SERVICE MONDAY	20180507
100-TR-020	100-TR-020 AD45B DAILY SERVICE	20180502 AD45B DAILY SERVICE THURSDAY	20180503
100-TR-020	100-TR-020 AD45B DAILY SERVICE	20180502 AD45B DAILY SERVICE TUESDAY	20180508
100-TR-020	100-TR-020 AD45B DAILY SERVICE	20180502 AD45B DAILY SERVICE WEDNESDAY	20180502
100-TR-020	100-TR-020 AD45B DAILY SERVICE	20180502 AD45B DAILY SERVICE SUNDAY	20180506
100-TR-020	100-TR-020 AD45B DAILY SERVICE	20180502 AD45B DAILY SERVICE SATURDAY	20180506
100-TR-020	POS#4 FLAT TYRE 12635 HRS	20180501 POS#4 FLAT TYRE 12635 HRS	20180501
100-TR-020	100-TR-020 AD45B DAILY SERVICE	20180425 AD45B DAILY SERVICE THURSDAY	20180426
100-TR-020	100-TR-020 AD45B DAILY SERVICE	20180425 AD45B DAILY SERVICE TUESDAY	20180501
100-TR-020	100-TR-020 AD45B DAILY SERVICE	20180425 AD45B DAILY SERVICE WEDNESDAY	20180507
100-TR-020	100-TR-020 AD45B DAILY SERVICE	20180425 AD45B DAILY SERVICE FRIDAY	20180430
100-TR-020	100-TR-020 AD45B DAILY SERVICE	20180425 AD45B DAILY SERVICE SATURDAY	20180430
100-TR-020	100-TR-020 AD45B DAILY SERVICE	20180425 AD45B DAILY SERVICE MONDAY	20180501
100-TR-020	100-TR-020 AD45B DAILY SERVICE	20180425 AD45B DAILY SERVICE SUNDAY	20180429
100-TR-020	500HR CAT AD45B TRUCK SERVICE	20180424 500HR CAT AD45B TRUCK MECH SERVICE	20180430
100-TR-020	100-TR-020 AD45B DAILY SERVICE	20180418 AD45B DAILY SERVICE WEDNESDAY	20180430
100-TR-020	100-TR-020 AD45B DAILY SERVICE	20180418 AD45B DAILY SERVICE TUESDAY	20180424
100-TR-020	100-TR-020 AD45B DAILY SERVICE	20180418 AD45B DAILY SERVICE SUNDAY	20180422
100-TR-020	100-TR-020 AD45B DAILY SERVICE	20180418 AD45B DAILY SERVICE THURSDAY	20180419
100-TR-020	100-TR-020 AD45B DAILY SERVICE	20180418 AD45B DAILY SERVICE MONDAY	20180423
100-TR-020	100-TR-020 AD45B DAILY SERVICE	20180418 AD45B DAILY SERVICE FRIDAY	20180430
100-TR-020	100-TR-020 AD45B DAILY SERVICE	20180418 AD45B DAILY SERVICE SATURDAY	20180421
100-TR-020	ALT NOT CHARGING	20180417 ALT NOT CHARGING	20180417
100-TR-020-ENG	fuel leak @ engine	20180417 fuel leak @ engine	20180419
100-TR-020-DRV	Replace u/s Runout- POS 1	20180413 Replace u/s Runout- POS 1	20180413
100-TR-020-DRV	Blown pos 1 @ percy tag	20180413 Blown pos 1 @ percy tag	20180413
100-TR-020	100-TR-020 AD45B DAILY SERVICE	20180411 AD45B DAILY SERVICE SUNDAY	20180415
100-TR-020	100-TR-020 AD45B DAILY SERVICE	20180411 AD45B DAILY SERVICE TUESDAY	20180417
100-TR-020	100-TR-020 AD45B DAILY SERVICE	20180411 AD45B DAILY SERVICE FRIDAY	20180413
100-TR-020	100-TR-020 AD45B DAILY SERVICE	20180411 AD45B DAILY SERVICE SATURDAY	20180414
100-TR-020	100-TR-020 AD45B DAILY SERVICE	20180411 AD45B DAILY SERVICE WEDNESDAY	20180411
100-TR-020	100-TR-020 AD45B DAILY SERVICE	20180411 AD45B DAILY SERVICE MONDAY	20180416
100-TR-020	100-TR-020 AD45B DAILY SERVICE	20180411 AD45B DAILY SERVICE THURSDAY	0
100-TR-020-ELC	a/c not working	20180411 a/c not working	20180411
100-TR-020	250HR CAT AD45B TRUCK SERVICE	20180404 250HR CAT AD45B TRUCK MECH SERVICE	20180412
100-TR-020	100-TR-020 AD45B DAILY SERVICE	20180404 AD45B DAILY SERVICE TUESDAY	0
100-TR-020	100-TR-020 AD45B DAILY SERVICE	20180404 AD45B DAILY SERVICE WEDNESDAY	20180608

100-TR-020	100-TR-020 AD45B DAILY SERVICE	20180404 AD45B DAILY SERVICE SATURDAY	20180407
100-TR-020	100-TR-020 AD45B DAILY SERVICE	20180404 AD45B DAILY SERVICE FRIDAY	0
100-TR-020	100-TR-020 AD45B DAILY SERVICE	20180404 AD45B DAILY SERVICE MONDAY	0
100-TR-020	100-TR-020 AD45B DAILY SERVICE	20180404 AD45B DAILY SERVICE SUNDAY	20180408
100-TR-020	100-TR-020 AD45B DAILY SERVICE	20180404 AD45B DAILY SERVICE THURSDAY	20180406
100-TR-020	500HR CAT AD45B EMISSIONS TESTING	20180404 500HR CAT AD45B EMISSIONS TESTING	20180405
100-TR-020-ELC	REAR WINDOW WIPER NOT WORKING	20180404 INSPECT REAR WINDOW WIPER & REPORT	20180404
100-TR-020	BROKEN LIFT HOSE FROM ROCK DAMAGE 45L	20180330 BROKEN LIFT HOSE FROM ROCK DAMAGE 45L	20180405
100-TR-020-ENG	fuel leak	20180330 fuel leak	20180405
100-TR-020	100-TR-020 AD45B DAILY SERVICE	20180328 AD45B DAILY SERVICE THURSDAY	0
100-TR-020	100-TR-020 AD45B DAILY SERVICE	20180328 AD45B DAILY SERVICE SUNDAY	20180401
100-TR-020	100-TR-020 AD45B DAILY SERVICE	20180328 AD45B DAILY SERVICE TUESDAY	20180403
100-TR-020	100-TR-020 AD45B DAILY SERVICE	20180328 AD45B DAILY SERVICE WEDNESDAY	20180404
100-TR-020	100-TR-020 AD45B DAILY SERVICE	20180328 AD45B DAILY SERVICE FRIDAY	20180330
100-TR-020	100-TR-020 AD45B DAILY SERVICE	20180328 AD45B DAILY SERVICE SATURDAY	20180331
100-TR-020	100-TR-020 AD45B DAILY SERVICE	20180328 AD45B DAILY SERVICE MONDAY	20180402
100-TR-020	OIL LEAK SUPLEMENTRY STEER PUMP	20180328 OIL LEAK SUPLEMENTRY STEER PUMP	20180405
100-TR-020	100-TR-020 AD45B DAILY SERVICE	20180321 AD45B DAILY SERVICE MONDAY	20180326
100-TR-020	100-TR-020 AD45B DAILY SERVICE	20180321 AD45B DAILY SERVICE WEDNESDAY	20180405
100-TR-020	100-TR-020 AD45B DAILY SERVICE	20180321 AD45B DAILY SERVICE THURSDAY	0
100-TR-020	100-TR-020 AD45B DAILY SERVICE	20180321 AD45B DAILY SERVICE FRIDAY	20180323
100-TR-020	100-TR-020 AD45B DAILY SERVICE	20180321 AD45B DAILY SERVICE SATURDAY	20180324
100-TR-020	100-TR-020 AD45B DAILY SERVICE	20180321 AD45B DAILY SERVICE SUNDAY	20180325
100-TR-020	100-TR-020 AD45B DAILY SERVICE	20180321 AD45B DAILY SERVICE TUESDAY	20180327
100-TR-020-HYD	LOW PILOT AND BRAKE CHARGE PRESSURE	20180320 LOW PILOT AND BRAKE CHARGE PRESSURE	20180320
100-TR-020	2000HR CAT AD45B TRUCK SERVICE	20180316 2000HR CAT AD45B TRUCK MECH SERVICE	20180326
100-TR-020	2000HR CAT AD45B TRUCK SERVICE	20180316 INSPECT CABIN SEALS	0
100-TR-020-ELC	CLEAN OUT A/C UNIT INSIDE CABIN	20180316 CLEAN OUT A/C UNIT INSIDE CABIN	20180318
100-TR-020	100-TR-020 AD45B DAILY SERVICE	20180314 AD45B DAILY SERVICE THURSDAY	20180315
100-TR-020	100-TR-020 AD45B DAILY SERVICE	20180314 AD45B DAILY SERVICE WEDNESDAY	20180326
100-TR-020	100-TR-020 AD45B DAILY SERVICE	20180314 AD45B DAILY SERVICE FRIDAY	0
100-TR-020	100-TR-020 AD45B DAILY SERVICE	20180314 AD45B DAILY SERVICE SATURDAY	20180317
100-TR-020	100-TR-020 AD45B DAILY SERVICE	20180314 AD45B DAILY SERVICE MONDAY	20180321
100-TR-020	100-TR-020 AD45B DAILY SERVICE	20180314 AD45B DAILY SERVICE SUNDAY	20180318
100-TR-020	100-TR-020 AD45B DAILY SERVICE	20180314 AD45B DAILY SERVICE TUESDAY	20180320
100-TR-020-ELC	A/C HOT	20180314 A/C HOT	20180320
100-TR-020	100-TR-020 AD45B DAILY SERVICE	20180309 AD45B DAILY SERVICE THURSDAY	0
100-TR-020	100-TR-020 AD45B DAILY SERVICE	20180309 AD45B DAILY SERVICE TUESDAY	20180313
100-TR-020	100-TR-020 AD45B DAILY SERVICE	20180309 AD45B DAILY SERVICE WEDNESDAY	0
100-TR-020	100-TR-020 AD45B DAILY SERVICE	20180309 AD45B DAILY SERVICE SATURDAY	20180310
100-TR-020	100-TR-020 AD45B DAILY SERVICE	20180309 AD45B DAILY SERVICE MONDAY	20180312
100-TR-020	100-TR-020 AD45B DAILY SERVICE	20180309 AD45B DAILY SERVICE FRIDAY	20180310
100-TR-020	100-TR-020 AD45B DAILY SERVICE	20180309 AD45B DAILY SERVICE SUNDAY	20180311
100-TR-020	100-TR-020 AD45B DAILY SERVICE	20180228 AD45B DAILY SERVICE FRIDAY	0
100-TR-020	100-TR-020 AD45B DAILY SERVICE	20180228 AD45B DAILY SERVICE SATURDAY	0
100-TR-020	100-TR-020 AD45B DAILY SERVICE	20180228 AD45B DAILY SERVICE MONDAY	0
100-TR-020	100-TR-020 AD45B DAILY SERVICE	20180228 AD45B DAILY SERVICE WEDNESDAY	20180304
100-TR-020	100-TR-020 AD45B DAILY SERVICE	20180228 AD45B DAILY SERVICE TUESDAY	0
100-TR-020	100-TR-020 AD45B DAILY SERVICE	20180228 AD45B DAILY SERVICE SUNDAY	0
100-TR-020	100-TR-020 AD45B DAILY SERVICE	20180228 AD45B DAILY SERVICE THURSDAY	0
100-TR-020	REPAIRED BROKEN WIRE	20180225 REPAIRED BROKEN WIRE	20180225
100-TR-020	100-TR-020 AD45B DAILY SERVICE	20180221 AD45B DAILY SERVICE SUNDAY	20180225
100-TR-020	100-TR-020 AD45B DAILY SERVICE	20180221 AD45B DAILY SERVICE FRIDAY	20180223
100-TR-020	100-TR-020 AD45B DAILY SERVICE	20180221 AD45B DAILY SERVICE SATURDAY	20180224
100-TR-020	100-TR-020 AD45B DAILY SERVICE	20180221 AD45B DAILY SERVICE MONDAY	20180226
100-TR-020	100-TR-020 AD45B DAILY SERVICE	20180221 AD45B DAILY SERVICE THURSDAY	20180222
100-TR-020	100-TR-020 AD45B DAILY SERVICE	20180221 AD45B DAILY SERVICE TUESDAY	20180227
100-TR-020	100-TR-020 AD45B DAILY SERVICE	20180221 AD45B DAILY SERVICE WEDNESDAY	20180221
100-TR-020	250HR CAT AD45B TRUCK SERVICE	20180217 250HR CAT AD45B TRUCK MECH SERVICE	20180218
100-TR-020	500HR CAT AD45B EMISSIONS TESTING	20180217 500HR CAT AD45B EMISSIONS TESTING	20180220
100-TR-020-ELC	park brake not releasing	20180216 park brake not releasing	20180216
100-TR-020	100-TR-020 AD45B DAILY SERVICE	20180214 AD45B DAILY SERVICE SUNDAY	0
100-TR-020	100-TR-020 AD45B DAILY SERVICE	20180214 AD45B DAILY SERVICE TUESDAY	20180220
100-TR-020	100-TR-020 AD45B DAILY SERVICE	20180214 AD45B DAILY SERVICE FRIDAY	20180219
100-TR-020	100-TR-020 AD45B DAILY SERVICE	20180214 AD45B DAILY SERVICE SATURDAY	20180217
100-TR-020	100-TR-020 AD45B DAILY SERVICE	20180214 AD45B DAILY SERVICE MONDAY	0
100-TR-020	100-TR-020 AD45B DAILY SERVICE	20180214 AD45B DAILY SERVICE WEDNESDAY	20180218
100-TR-020	100-TR-020 AD45B DAILY SERVICE	20180214 AD45B DAILY SERVICE THURSDAY	20180215
100-TR-020	100-TR-020 AD45B DAILY SERVICE	20180207 AD45B DAILY SERVICE SUNDAY	20180211

100-TR-020	100-TR-020 AD45B DAILY SERVICE	20180207 AD45B DAILY SERVICE TUESDAY	20180214
100-TR-020	100-TR-020 AD45B DAILY SERVICE	20180207 AD45B DAILY SERVICE FRIDAY	20180212
100-TR-020	100-TR-020 AD45B DAILY SERVICE	20180207 AD45B DAILY SERVICE SATURDAY	20180212
100-TR-020	100-TR-020 AD45B DAILY SERVICE	20180207 AD45B DAILY SERVICE WEDNESDAY	20180221
100-TR-020	100-TR-020 AD45B DAILY SERVICE	20180207 AD45B DAILY SERVICE THURSDAY	20180208
100-TR-020	100-TR-020 AD45B DAILY SERVICE	20180207 AD45B DAILY SERVICE MONDAY	20180212
100-TR-020	100-TR-020 AD45B DAILY SERVICE	20180131 AD45B DAILY SERVICE FRIDAY	20180203
100-TR-020	100-TR-020 AD45B DAILY SERVICE	20180131 AD45B DAILY SERVICE MONDAY	20180208
100-TR-020	100-TR-020 AD45B DAILY SERVICE	20180131 AD45B DAILY SERVICE THURSDAY	20180201
100-TR-020	100-TR-020 AD45B DAILY SERVICE	20180131 AD45B DAILY SERVICE SATURDAY	20180205
100-TR-020	100-TR-020 AD45B DAILY SERVICE	20180131 AD45B DAILY SERVICE SUNDAY	0
100-TR-020	100-TR-020 AD45B DAILY SERVICE	20180131 AD45B DAILY SERVICE TUESDAY	20180206
100-TR-020	100-TR-020 AD45B DAILY SERVICE	20180131 AD45B DAILY SERVICE WEDNESDAY	20180201
100-TR-020	500HR CAT AD45B TRUCK SERVICE	20180126 500HR CAT AD45B TRUCK MECH SERVICE	20180126
100-TR-020	100-TR-020 AD45B DAILY SERVICE	20180124 AD45B DAILY SERVICE WEDNESDAY	20180205
100-TR-020	100-TR-020 AD45B DAILY SERVICE	20180124 AD45B DAILY SERVICE THURSDAY	20180125
100-TR-020	100-TR-020 AD45B DAILY SERVICE	20180124 AD45B DAILY SERVICE FRIDAY	0
100-TR-020	100-TR-020 AD45B DAILY SERVICE	20180124 AD45B DAILY SERVICE SATURDAY	20180127
100-TR-020	100-TR-020 AD45B DAILY SERVICE	20180124 AD45B DAILY SERVICE MONDAY	20180129
100-TR-020	100-TR-020 AD45B DAILY SERVICE	20180124 AD45B DAILY SERVICE SUNDAY	20180128
100-TR-020	100-TR-020 AD45B DAILY SERVICE	20180124 AD45B DAILY SERVICE TUESDAY	20180130
100-TR-020-ELC	REPLACE CAMERA PLUS 11437 HRS	20180121 REPLACE CAMERA PLUS 11437 HRS	20180221
100-TR-020	100-TR-020 AD45B DAILY SERVICE	20180117 AD45B DAILY SERVICE FRIDAY	20180119
100-TR-020	100-TR-020 AD45B DAILY SERVICE	20180117 AD45B DAILY SERVICE SATURDAY	20180120
100-TR-020	100-TR-020 AD45B DAILY SERVICE	20180117 AD45B DAILY SERVICE MONDAY	20180124
100-TR-020	100-TR-020 AD45B DAILY SERVICE	20180117 AD45B DAILY SERVICE WEDNESDAY	20180205
100-TR-020	100-TR-020 AD45B DAILY SERVICE	20180117 AD45B DAILY SERVICE THURSDAY	20180118
100-TR-020	100-TR-020 AD45B DAILY SERVICE	20180117 AD45B DAILY SERVICE SUNDAY	20180121
100-TR-020	100-TR-020 AD45B DAILY SERVICE	20180117 AD45B DAILY SERVICE TUESDAY	0
100-TR-020-ELC	REVERSE CAMERA U/S	20180116 REVERSE CAMERA U/S	20180117
100-TR-020-ELC	INSTALL A RADIO EXT SPEAKER	20180116 INSTALL A RADIO EXT SPEAKER	20180117
100-TR-020	100-TR-020 AD45B DAILY SERVICE	20180110 AD45B DAILY SERVICE TUESDAY	20180116
100-TR-020	100-TR-020 AD45B DAILY SERVICE	20180110 AD45B DAILY SERVICE FRIDAY	20180112
100-TR-020	100-TR-020 AD45B DAILY SERVICE	20180110 AD45B DAILY SERVICE SATURDAY	20180115
100-TR-020	100-TR-020 AD45B DAILY SERVICE	20180110 AD45B DAILY SERVICE MONDAY	20180115
100-TR-020	100-TR-020 AD45B DAILY SERVICE	20180110 AD45B DAILY SERVICE WEDNESDAY	20180205
100-TR-020	100-TR-020 AD45B DAILY SERVICE	20180110 AD45B DAILY SERVICE THURSDAY	20180111
100-TR-020	100-TR-020 AD45B DAILY SERVICE	20180110 AD45B DAILY SERVICE SUNDAY	20180114
100-TR-020-ELC	no A/C fan	20180109 no A/C fan	20180111
100-TR-020	250HR CAT AD45B TRUCK SERVICE	20180107 250HR CAT AD45B TRUCK MECH SERVICE	20180112
100-TR-020-ENG	REPAIR COOLANT LEAK	20180104 REPAIR COOLANT LEAK	20180104
100-TR-020-STR	REPAIR A/C ADJUSTING BOLT	20180104 REPAIR A/C ADJUSTING BOLT	20180104
100-TR-020	100-TR-020 AD45B DAILY SERVICE	20180103 AD45B DAILY SERVICE TUESDAY	20180110
100-TR-020	100-TR-020 AD45B DAILY SERVICE	20180103 AD45B DAILY SERVICE WEDNESDAY	20180112
100-TR-020	100-TR-020 AD45B DAILY SERVICE	20180103 AD45B DAILY SERVICE SUNDAY	20180108
100-TR-020	100-TR-020 AD45B DAILY SERVICE	20180103 AD45B DAILY SERVICE FRIDAY	20180108
100-TR-020	100-TR-020 AD45B DAILY SERVICE	20180103 AD45B DAILY SERVICE SATURDAY	20180108
100-TR-020	100-TR-020 AD45B DAILY SERVICE	20180103 AD45B DAILY SERVICE MONDAY	20180109
100-TR-020	100-TR-020 AD45B DAILY SERVICE	20180103 AD45B DAILY SERVICE THURSDAY	20180104
100-TR-020-STR	replace u/s seat strut	20180103 replace u/s seat strut	20180106
100-TR-020	100-TR-020 AD45B DAILY SERVICE	20171227 AD45B DAILY SERVICE MONDAY	20180104
100-TR-020	100-TR-020 AD45B DAILY SERVICE	20171227 AD45B DAILY SERVICE FRIDAY	20171229
100-TR-020	100-TR-020 AD45B DAILY SERVICE	20171227 AD45B DAILY SERVICE SATURDAY	0
100-TR-020	100-TR-020 AD45B DAILY SERVICE	20171227 AD45B DAILY SERVICE TUESDAY	0
100-TR-020	100-TR-020 AD45B DAILY SERVICE	20171227 AD45B DAILY SERVICE WEDNESDAY	20180104
100-TR-020	100-TR-020 AD45B DAILY SERVICE	20171227 AD45B DAILY SERVICE THURSDAY	20171229
100-TR-020	100-TR-020 AD45B DAILY SERVICE	20171227 AD45B DAILY SERVICE SUNDAY	20180102
100-TR-020	EXHAUST DEFLECTOR BROKEN OFF 11086HRS	20171224 EXHAUST DEFLECTOR BROKEN OFF 11086HRS	20171229
100-TR-020	100-TR-020 AD45B DAILY SERVICE	20171220 AD45B DAILY SERVICE TUESDAY	20171226
100-TR-020	100-TR-020 AD45B DAILY SERVICE	20171220 AD45B DAILY SERVICE WEDNESDAY	0
100-TR-020	100-TR-020 AD45B DAILY SERVICE	20171220 AD45B DAILY SERVICE FRIDAY	20171223
100-TR-020	100-TR-020 AD45B DAILY SERVICE	20171220 AD45B DAILY SERVICE MONDAY	20171225
100-TR-020	100-TR-020 AD45B DAILY SERVICE	20171220 AD45B DAILY SERVICE THURSDAY	20171221
100-TR-020	100-TR-020 AD45B DAILY SERVICE	20171220 AD45B DAILY SERVICE SATURDAY	20171223
100-TR-020	100-TR-020 AD45B DAILY SERVICE	20171220 AD45B DAILY SERVICE SUNDAY	20171224
100-TR-020	100-TR-020 AD45B DAILY SERVICE	20171213 AD45B DAILY SERVICE FRIDAY	0
100-TR-020	100-TR-020 AD45B DAILY SERVICE	20171213 AD45B DAILY SERVICE SATURDAY	0
100-TR-020	100-TR-020 AD45B DAILY SERVICE	20171213 AD45B DAILY SERVICE MONDAY	0
100-TR-020	100-TR-020 AD45B DAILY SERVICE	20171213 AD45B DAILY SERVICE WEDNESDAY	20171220

100-TR-020	100-TR-020 AD45B DAILY SERVICE	20171213 AD45B DAILY SERVICE TUESDAY	0
100-TR-020	100-TR-020 AD45B DAILY SERVICE	20171213 AD45B DAILY SERVICE THURSDAY	0
100-TR-020	100-TR-020 AD45B DAILY SERVICE	20171213 AD45B DAILY SERVICE SUNDAY	0
100-TR-020	RETURN TO SERVICE INSPECTION	20171213 RETURN TO SERVICE INSPECTION	20171214
100-TR-020	RETURN TO SERVICE INSPECTION	20171213 Pjl - MOUNT WHEEL CHOCKS TR-20 24511	0
100-TR-020	1000HR CAT AD45B TRUCK SERVICE	20170830 1000HR CAT AD45B TRUCK MECH SERVICE	20170830
100-TR-020-ELC	Uhf not working	20170828 Uhf not working	20170828
100-TR-020	100-TR-020 AD45B DAILY SERVICE	20170823 AD45B DAILY SERVICE SUNDAY	0
100-TR-020	100-TR-020 AD45B DAILY SERVICE	20170823 AD45B DAILY SERVICE TUESDAY Not Used	0
100-TR-020	100-TR-020 AD45B DAILY SERVICE	20170823 AD45B DAILY SERVICE FRIDAY	20170825
100-TR-020	100-TR-020 AD45B DAILY SERVICE	20170823 AD45B DAILY SERVICE SATURDAY	0
100-TR-020	100-TR-020 AD45B DAILY SERVICE	20170823 AD45B DAILY SERVICE WEDNESDAY	20170824
100-TR-020	100-TR-020 AD45B DAILY SERVICE	20170823 AD45B DAILY SERVICE MONDAY Not Used	0
100-TR-020	100-TR-020 AD45B DAILY SERVICE	20170823 AD45B DAILY SERVICE THURSDAY	20170824
100-TR-020-ELC	Not starting	20170823 Not starting	20170824
100-TR-020	100-TR-020 AD45B DAILY SERVICE	20170816 AD45B DAILY SERVICE SATURDAY	20170819
100-TR-020	100-TR-020 AD45B DAILY SERVICE	20170816 AD45B DAILY SERVICE TUESDAY No Time or	0
100-TR-020	100-TR-020 AD45B DAILY SERVICE	20170816 AD45B DAILY SERVICE WEDNESDAY	20170816
100-TR-020	100-TR-020 AD45B DAILY SERVICE	20170816 AD45B DAILY SERVICE THURSDAY	20170817
100-TR-020	100-TR-020 AD45B DAILY SERVICE	20170816 AD45B DAILY SERVICE MONDAY	20170821
100-TR-020	100-TR-020 AD45B DAILY SERVICE	20170816 AD45B DAILY SERVICE FRIDAY	20170818
100-TR-020	100-TR-020 AD45B DAILY SERVICE	20170816 AD45B DAILY SERVICE SUNDAY	20170820
100-TR-020	100-TR-020 AD45B DAILY SERVICE	20170809 AD45B DAILY SERVICE WEDNESDAY	20170809
100-TR-020	100-TR-020 AD45B DAILY SERVICE	20170809 AD45B DAILY SERVICE TUESDAY	0
100-TR-020	100-TR-020 AD45B DAILY SERVICE	20170809 AD45B DAILY SERVICE FRIDAY	0
100-TR-020	100-TR-020 AD45B DAILY SERVICE	20170809 AD45B DAILY SERVICE SATURDAY	0
100-TR-020	100-TR-020 AD45B DAILY SERVICE	20170809 AD45B DAILY SERVICE SUNDAY	0
100-TR-020	100-TR-020 AD45B DAILY SERVICE	20170809 AD45B DAILY SERVICE MONDAY	0
100-TR-020	100-TR-020 AD45B DAILY SERVICE	20170809 AD45B DAILY SERVICE THURSDAY	0
100-TR-020-HYD	BRAKE COOLING HOSES NEED TO BE RPLACED	20170803 REPLACE BRAKE COOLING HOSES	20170808
100-TR-020	100-TR-020 AD45B DAILY SERVICE	20170802 AD45B DAILY SERVICE SUNDAY	20170806
100-TR-020	100-TR-020 AD45B DAILY SERVICE	20170802 AD45B DAILY SERVICE WEDNESDAY	20170807
100-TR-020	100-TR-020 AD45B DAILY SERVICE	20170802 AD45B DAILY SERVICE TUESDAY Not used	0
100-TR-020	100-TR-020 AD45B DAILY SERVICE	20170802 AD45B DAILY SERVICE THURSDAY	0
100-TR-020	100-TR-020 AD45B DAILY SERVICE	20170802 AD45B DAILY SERVICE FRIDAY	0
100-TR-020	100-TR-020 AD45B DAILY SERVICE	20170802 AD45B DAILY SERVICE MONDAY Not Used	0
100-TR-020	100-TR-020 AD45B DAILY SERVICE	20170802 AD45B DAILY SERVICE SATURDAY	20170805
100-TR-020-ELC	L/H REAR FLASHING LIGHT NOT WORKING	20170727 REPLACE L/H REAR FLASHING LIGHT	20170803
100-TR-020	100-TR-020 AD45B DAILY SERVICE	20170726 AD45B DAILY SERVICE SUNDAY	20170731
100-TR-020	100-TR-020 AD45B DAILY SERVICE	20170726 AD45B DAILY SERVICE FRIDAY	0
100-TR-020	100-TR-020 AD45B DAILY SERVICE	20170726 AD45B DAILY SERVICE SATURDAY	0
100-TR-020	100-TR-020 AD45B DAILY SERVICE	20170726 AD45B DAILY SERVICE MONDAY	20170801
100-TR-020	100-TR-020 AD45B DAILY SERVICE	20170726 AD45B DAILY SERVICE WEDNESDAY	20170803
100-TR-020	100-TR-020 AD45B DAILY SERVICE	20170726 AD45B DAILY SERVICE TUESDAY	20170801
100-TR-020	100-TR-020 AD45B DAILY SERVICE	20170726 AD45B DAILY SERVICE THURSDAY	20170727
100-TR-020-ELC	reverse camera not working	20170726 reverse camera not working	20170803
100-TR-020-HYD	u/s hyd hose	20170725 u/s hyd hose	20170803
100-TR-020	100-TR-020 AD45B DAILY SERVICE	20170719 AD45B DAILY SERVICE THURSDAY	20170721
100-TR-020	100-TR-020 AD45B DAILY SERVICE	20170719 AD45B DAILY SERVICE SUNDAY	20170723
100-TR-020	100-TR-020 AD45B DAILY SERVICE	20170719 AD45B DAILY SERVICE WEDNESDAY	20170803
100-TR-020	100-TR-020 AD45B DAILY SERVICE	20170719 AD45B DAILY SERVICE FRIDAY	20170721
100-TR-020	100-TR-020 AD45B DAILY SERVICE	20170719 AD45B DAILY SERVICE SATURDAY	20170722
100-TR-020	100-TR-020 AD45B DAILY SERVICE	20170719 AD45B DAILY SERVICE MONDAY	20170724
100-TR-020	100-TR-020 AD45B DAILY SERVICE	20170719 AD45B DAILY SERVICE TUESDAY	20170725
100-TR-020-ELC	ARTICULATION HARNESS U/S	20170719 REPLACE ARTICULATION WIRING HARNESS	20170720
100-TR-020-HYD	HYDRAULIC HOSE WEEPING	20170719 REPLACE HYDRAULIC HOSE	20170720
100-TR-020-DRV	RETENSION ALL WHEELS 10754 HRS	20170715 RETENSION ALL WHEELS 10754 HRS	20170718
100-TR-020	250HR CAT AD45B TRUCK SERVICE	20170714 250HR CAT AD45B TRUCK MECH SERVICE	20170718
100-TR-020-DRV	REPLACE ALL TYRES DUE TO NO RUN OUTS	20170714 REPLACE ALL TYRES	20170824
100-TR-020-ENG	replace coolant level switch	20170713 replace coolant level switch	20170718
100-TR-020	100-TR-020 AD45B DAILY SERVICE	20170712 AD45B DAILY SERVICE THURSDAY	20170713
100-TR-020	100-TR-020 AD45B DAILY SERVICE	20170712 AD45B DAILY SERVICE FRIDAY	20170714
100-TR-020	100-TR-020 AD45B DAILY SERVICE	20170712 AD45B DAILY SERVICE SATURDAY	20170715
100-TR-020	100-TR-020 AD45B DAILY SERVICE	20170712 AD45B DAILY SERVICE WEDNESDAY	20170720
100-TR-020	100-TR-020 AD45B DAILY SERVICE	20170712 AD45B DAILY SERVICE SUNDAY	20170716
100-TR-020	100-TR-020 AD45B DAILY SERVICE	20170712 AD45B DAILY SERVICE TUESDAY	0
100-TR-020	100-TR-020 AD45B DAILY SERVICE	20170712 AD45B DAILY SERVICE MONDAY	20170718
100-TR-020-ENG	WESTRAC TO FLASH ECMS W/ LATEST SOFTWARE	20170712 WESTRAC - FLASH ECMS W/ LATEST SOFTWARE	20170713
100-TR-020	INSTALL MINETECH SYSTEM	20170710 GTM - INSTALL MINETECH SYSTEM	20170724

100-TR-020	100-TR-020 AD45B DAILY SERVICE	20170705 AD45B DAILY SERVICE MONDAY	20170710
100-TR-020	100-TR-020 AD45B DAILY SERVICE	20170705 AD45B DAILY SERVICE FRIDAY	20170707
100-TR-020	100-TR-020 AD45B DAILY SERVICE	20170705 AD45B DAILY SERVICE SATURDAY	20170708
100-TR-020	100-TR-020 AD45B DAILY SERVICE	20170705 AD45B DAILY SERVICE WEDNESDAY	20170713
100-TR-020	100-TR-020 AD45B DAILY SERVICE	20170705 AD45B DAILY SERVICE THURSDAY	20170706
100-TR-020	100-TR-020 AD45B DAILY SERVICE	20170705 AD45B DAILY SERVICE SUNDAY	20170709
100-TR-020	100-TR-020 AD45B DAILY SERVICE	20170705 AD45B DAILY SERVICE TUESDAY	20170711
100-TR-020	100-TR-020 AD45B DAILY SERVICE	20170628 AD45B DAILY SERVICE WEDNESDAY	20170706
100-TR-020	100-TR-020 AD45B DAILY SERVICE	20170628 AD45B DAILY SERVICE TUESDAY	20170704
100-TR-020	100-TR-020 AD45B DAILY SERVICE	20170628 AD45B DAILY SERVICE SATURDAY	20170702
100-TR-020	100-TR-020 AD45B DAILY SERVICE	20170628 AD45B DAILY SERVICE SUNDAY	20170702
100-TR-020	100-TR-020 AD45B DAILY SERVICE	20170628 AD45B DAILY SERVICE THURSDAY	20170629
100-TR-020	100-TR-020 AD45B DAILY SERVICE	20170628 AD45B DAILY SERVICE FRIDAY	0
100-TR-020	100-TR-020 AD45B DAILY SERVICE	20170628 AD45B DAILY SERVICE MONDAY	20170703
100-TR-020	500HR CAT AD45B TRUCK SERVICE	20170628 500HR CAT AD45B TRUCK MECH SERVICE	20170630
100-TR-020-STR	hit wall	20170622 hit wall	20170718
100-TR-020	100-TR-020 AD45B DAILY SERVICE	20170621 AD45B DAILY SERVICE FRIDAY	0
100-TR-020	100-TR-020 AD45B DAILY SERVICE	20170621 AD45B DAILY SERVICE SATURDAY	20170626
100-TR-020	100-TR-020 AD45B DAILY SERVICE	20170621 AD45B DAILY SERVICE MONDAY	20170626
100-TR-020	100-TR-020 AD45B DAILY SERVICE	20170621 AD45B DAILY SERVICE WEDNESDAY	20170630
100-TR-020	100-TR-020 AD45B DAILY SERVICE	20170621 AD45B DAILY SERVICE TUESDAY	20170627
100-TR-020	100-TR-020 AD45B DAILY SERVICE	20170621 AD45B DAILY SERVICE THURSDAY	20170623
100-TR-020	100-TR-020 AD45B DAILY SERVICE	20170621 AD45B DAILY SERVICE SUNDAY	20170625
100-TR-020-DRV	REPLACE POS 1 TYRE 10399HRS	20170621 REPLACE POS 1 TYRE 10399HRS	20170621
100-TR-020	100-TR-020 AD45B DAILY SERVICE	20170614 AD45B DAILY SERVICE FRIDAY	20170616
100-TR-020	100-TR-020 AD45B DAILY SERVICE	20170614 AD45B DAILY SERVICE MONDAY	20170619
100-TR-020	100-TR-020 AD45B DAILY SERVICE	20170614 AD45B DAILY SERVICE WEDNESDAY	20170623
100-TR-020	100-TR-020 AD45B DAILY SERVICE	20170614 AD45B DAILY SERVICE TUESDAY	20170620
100-TR-020	100-TR-020 AD45B DAILY SERVICE	20170614 AD45B DAILY SERVICE SATURDAY	20170617
100-TR-020	100-TR-020 AD45B DAILY SERVICE	20170614 AD45B DAILY SERVICE THURSDAY	20170615
100-TR-020	500HR CAT AD45B EMISSIONS TESTING	20170614 500HR CAT AD45B EMISSIONS TESTING	20170630
100-TR-020	250HR CAT AD45B TRUCK SERVICE	20170614 250HR CAT AD45B TRUCK MECH SERVICE	20170630
100-TR-020	100-TR-020 AD45B DAILY SERVICE	20170614 AD45B DAILY SERVICE SUNDAY	20170618
100-TR-020	100-TR-020 AD45B DAILY SERVICE	20170607 AD45B DAILY SERVICE WEDNESDAY	20170619
100-TR-020	100-TR-020 AD45B DAILY SERVICE	20170607 AD45B DAILY SERVICE FRIDAY	0
100-TR-020	100-TR-020 AD45B DAILY SERVICE	20170607 AD45B DAILY SERVICE SATURDAY	20170610
100-TR-020	100-TR-020 AD45B DAILY SERVICE	20170607 AD45B DAILY SERVICE MONDAY	20170612
100-TR-020	100-TR-020 AD45B DAILY SERVICE	20170607 AD45B DAILY SERVICE SUNDAY	20170612
100-TR-020	100-TR-020 AD45B DAILY SERVICE	20170607 AD45B DAILY SERVICE TUESDAY	20170613
100-TR-020	100-TR-020 AD45B DAILY SERVICE	20170607 AD45B DAILY SERVICE THURSDAY	20170608
100-TR-020-STR	replace windows from damage	20170603 replace windows from damage	20170606
100-TR-020-STR	remove truck off wall	20170603 remove truck off wall	20170606
100-TR-020-HYD	BRAKE CHARGE VALVE U/S	20170602 BRAKE CHARGE VALVE U/S	20170614
100-TR-020-HYD	REPLACE RETURN HOSES ON HYD TANK	20170601 REPLACE RETURN HOSES ON HYD TANK	20170606
100-TR-020	100-TR-020 AD45B DAILY SERVICE	20170531 AD45B DAILY SERVICE SATURDAY	20170603
100-TR-020	100-TR-020 AD45B DAILY SERVICE	20170531 AD45B DAILY SERVICE FRIDAY	20170603
100-TR-020	100-TR-020 AD45B DAILY SERVICE	20170531 AD45B DAILY SERVICE MONDAY	20170605
100-TR-020	100-TR-020 AD45B DAILY SERVICE	20170531 AD45B DAILY SERVICE THURSDAY	20170602
100-TR-020	100-TR-020 AD45B DAILY SERVICE	20170531 AD45B DAILY SERVICE WEDNESDAY	20170614
100-TR-020	100-TR-020 AD45B DAILY SERVICE	20170531 AD45B DAILY SERVICE TUESDAY	20170606
100-TR-020	100-TR-020 AD45B DAILY SERVICE	20170531 AD45B DAILY SERVICE SUNDAY	20170604
100-TR-020	2000HR CAT AD45B TRUCK SERVICE	20170526 2000HR CAT AD45B TRUCK MECH SERVICE	20170530
100-TR-020	100-TR-020 AD45B DAILY SERVICE	20170524 AD45B DAILY SERVICE WEDNESDAY	20170605
100-TR-020	100-TR-020 AD45B DAILY SERVICE	20170524 AD45B DAILY SERVICE FRIDAY	20170527
100-TR-020	100-TR-020 AD45B DAILY SERVICE	20170524 AD45B DAILY SERVICE SATURDAY	20170528
100-TR-020	100-TR-020 AD45B DAILY SERVICE	20170524 AD45B DAILY SERVICE TUESDAY	20170531
100-TR-020	100-TR-020 AD45B DAILY SERVICE	20170524 AD45B DAILY SERVICE SUNDAY	20170529
100-TR-020	100-TR-020 AD45B DAILY SERVICE	20170524 AD45B DAILY SERVICE THURSDAY	0
100-TR-020	100-TR-020 AD45B DAILY SERVICE	20170524 AD45B DAILY SERVICE MONDAY	20170530
100-TR-020-ELC	alternator overcharging	20170521 alternator overcharging	20170524
100-TR-020-HYD	REPLACE BLOWN TRANSMISSION HOSE	20170520 REPLACE BLOWN TRANSMISSION HOSE	20170520
100-TR-020	100-TR-020 AD45B DAILY SERVICE	20170517 AD45B DAILY SERVICE WEDNESDAY	20170524
100-TR-020	100-TR-020 AD45B DAILY SERVICE	20170517 AD45B DAILY SERVICE TUESDAY	20170523
100-TR-020	100-TR-020 AD45B DAILY SERVICE	20170517 AD45B DAILY SERVICE SUNDAY	20170522
100-TR-020	100-TR-020 AD45B DAILY SERVICE	20170517 AD45B DAILY SERVICE SATURDAY	20170521
100-TR-020	100-TR-020 AD45B DAILY SERVICE	20170517 AD45B DAILY SERVICE FRIDAY	20170521
100-TR-020	100-TR-020 AD45B DAILY SERVICE	20170517 AD45B DAILY SERVICE MONDAY	20170523
100-TR-020	100-TR-020 AD45B DAILY SERVICE	20170517 AD45B DAILY SERVICE THURSDAY	20170518
100-TR-020	100-TR-020 AD45B DAILY SERVICE	20170503 AD45B DAILY SERVICE WEDNESDAY	20170511

100-TR-020	100-TR-020 AD45B DAILY SERVICE	20170503 AD45B DAILY SERVICE THURSDAY	20170504
100-TR-020	100-TR-020 AD45B DAILY SERVICE	20170503 AD45B DAILY SERVICE FRIDAY	20170506
100-TR-020	100-TR-020 AD45B DAILY SERVICE	20170503 AD45B DAILY SERVICE SATURDAY	20170506
100-TR-020	100-TR-020 AD45B DAILY SERVICE	20170503 AD45B DAILY SERVICE MONDAY	20170508
100-TR-020	100-TR-020 AD45B DAILY SERVICE	20170503 AD45B DAILY SERVICE SUNDAY	20170507
100-TR-020	100-TR-020 AD45B DAILY SERVICE	20170503 AD45B DAILY SERVICE TUESDAY	0
100-TR-020	250HR CAT AD45B TRUCK SERVICE	20170503 250HR CAT AD45B TRUCK MECH SERVICE	20170503
100-TR-020-ELC	RADIO NOT WORKING	20170501 RADIO NOT WORKING	20170501
100-TR-020	100-TR-020 AD45B DAILY SERVICE	20170426 AD45B DAILY SERVICE FRIDAY	20170428
100-TR-020	100-TR-020 AD45B DAILY SERVICE	20170426 AD45B DAILY SERVICE SATURDAY	20170429
100-TR-020	100-TR-020 AD45B DAILY SERVICE	20170426 AD45B DAILY SERVICE MONDAY	20170501
100-TR-020	100-TR-020 AD45B DAILY SERVICE	20170426 AD45B DAILY SERVICE WEDNESDAY	20170509
100-TR-020	100-TR-020 AD45B DAILY SERVICE	20170426 AD45B DAILY SERVICE TUESDAY	20170502
100-TR-020	100-TR-020 AD45B DAILY SERVICE	20170426 AD45B DAILY SERVICE SUNDAY	20170430
100-TR-020	100-TR-020 AD45B DAILY SERVICE	20170426 AD45B DAILY SERVICE THURSDAY	20170427
100-TR-020	100-TR-020 AD45B DAILY SERVICE	20170419 AD45B DAILY SERVICE FRIDAY	20170422
100-TR-020	100-TR-020 AD45B DAILY SERVICE	20170419 AD45B DAILY SERVICE SATURDAY	20170425
100-TR-020	100-TR-020 AD45B DAILY SERVICE	20170419 AD45B DAILY SERVICE SUNDAY	20170424
100-TR-020	100-TR-020 AD45B DAILY SERVICE	20170419 AD45B DAILY SERVICE TUESDAY	20170425
100-TR-020	100-TR-020 AD45B DAILY SERVICE	20170419 AD45B DAILY SERVICE WEDNESDAY	20170427
100-TR-020	100-TR-020 AD45B DAILY SERVICE	20170419 AD45B DAILY SERVICE MONDAY	20170425
100-TR-020	100-TR-020 AD45B DAILY SERVICE	20170419 AD45B DAILY SERVICE THURSDAY	20170421
100-TR-020	100-TR-020 AD45B DAILY SERVICE	20170413 AD45B DAILY SERVICE THURSDAY	20170413
100-TR-020	100-TR-020 AD45B DAILY SERVICE	20170413 AD45B DAILY SERVICE WEDNESDAY	0
100-TR-020	100-TR-020 AD45B DAILY SERVICE	20170413 AD45B DAILY SERVICE SUNDAY	20170416
100-TR-020	100-TR-020 AD45B DAILY SERVICE	20170413 AD45B DAILY SERVICE TUESDAY	0
100-TR-020	100-TR-020 AD45B DAILY SERVICE	20170413 AD45B DAILY SERVICE FRIDAY	0
100-TR-020	100-TR-020 AD45B DAILY SERVICE	20170413 AD45B DAILY SERVICE SATURDAY	0
100-TR-020	100-TR-020 AD45B DAILY SERVICE	20170413 AD45B DAILY SERVICE MONDAY	20170417
100-TR-020	500HR CAT AD45B TRUCK SERVICE	20170412 500HR CAT AD45B TRUCK MECH SERVICE	20170412
100-TR-020-ENG	Replace U/S fan belt	20170410 Replace U/S fan belt	20170411
100-TR-020	100-TR-020 AD45B DAILY SERVICE	20170405 AD45B DAILY SERVICE WEDNESDAY	20170412
100-TR-020	100-TR-020 AD45B DAILY SERVICE	20170405 AD45B DAILY SERVICE TUESDAY	0
100-TR-020	100-TR-020 AD45B DAILY SERVICE	20170405 AD45B DAILY SERVICE FRIDAY	0
100-TR-020	100-TR-020 AD45B DAILY SERVICE	20170405 AD45B DAILY SERVICE MONDAY	20170411
100-TR-020	100-TR-020 AD45B DAILY SERVICE	20170405 AD45B DAILY SERVICE SATURDAY	20170408
100-TR-020	100-TR-020 AD45B DAILY SERVICE	20170405 AD45B DAILY SERVICE THURSDAY	0
100-TR-020	100-TR-020 AD45B DAILY SERVICE	20170405 AD45B DAILY SERVICE SUNDAY	0
100-TR-020	100-TR-020 AD45B DAILY SERVICE	20170329 AD45B DAILY SERVICE TUESDAY	0
100-TR-020	100-TR-020 AD45B DAILY SERVICE	20170329 AD45B DAILY SERVICE SUNDAY	0
100-TR-020	100-TR-020 AD45B DAILY SERVICE	20170329 AD45B DAILY SERVICE WEDNESDAY	20170406
100-TR-020	100-TR-020 AD45B DAILY SERVICE	20170329 AD45B DAILY SERVICE THURSDAY	0
100-TR-020	100-TR-020 AD45B DAILY SERVICE	20170329 AD45B DAILY SERVICE FRIDAY	0
100-TR-020	100-TR-020 AD45B DAILY SERVICE	20170329 AD45B DAILY SERVICE SATURDAY	0
100-TR-020	100-TR-020 AD45B DAILY SERVICE	20170329 AD45B DAILY SERVICE MONDAY	0
100-TR-020	250HR CAT AD45B TRUCK SERVICE	20170328 250HR CAT AD45B TRUCK MECH SERVICE	20170328
100-TR-020-HYD	SECONDARY STEER COIL	20170328 SECONDARY STEER COIL	20170328
100-TR-020-ELC	BATTERY LIGHT	20170326 BATTERY LIGHT	20170326
100-TR-020	100-TR-020 AD45B DAILY SERVICE	20170322 AD45B DAILY SERVICE SATURDAY	0
100-TR-020	100-TR-020 AD45B DAILY SERVICE	20170322 AD45B DAILY SERVICE FRIDAY	0
100-TR-020	100-TR-020 AD45B DAILY SERVICE	20170322 AD45B DAILY SERVICE MONDAY	0
100-TR-020	100-TR-020 AD45B DAILY SERVICE	20170322 AD45B DAILY SERVICE WEDNESDAY	20170326
100-TR-020	100-TR-020 AD45B DAILY SERVICE	20170322 AD45B DAILY SERVICE TUESDAY	0
100-TR-020	100-TR-020 AD45B DAILY SERVICE	20170322 AD45B DAILY SERVICE SUNDAY	0
100-TR-020	100-TR-020 AD45B DAILY SERVICE	20170322 AD45B DAILY SERVICE THURSDAY	0
100-TR-020-HYD	REMOVE AND REPLACE HOIST HOSE	20170318 REMOVE AND REPLACE HOIST HOSE	20170318
100-TR-020	100-TR-020 AD45B DAILY SERVICE	20170315 AD45B DAILY SERVICE SUNDAY	0
100-TR-020	100-TR-020 AD45B DAILY SERVICE	20170315 AD45B DAILY SERVICE WEDNESDAY	20170320
100-TR-020	100-TR-020 AD45B DAILY SERVICE	20170315 AD45B DAILY SERVICE TUESDAY	0
100-TR-020	100-TR-020 AD45B DAILY SERVICE	20170315 AD45B DAILY SERVICE FRIDAY	20170407
100-TR-020	100-TR-020 AD45B DAILY SERVICE	20170315 AD45B DAILY SERVICE SATURDAY	0
100-TR-020	100-TR-020 AD45B DAILY SERVICE	20170315 AD45B DAILY SERVICE THURSDAY	0
100-TR-020	100-TR-020 AD45B DAILY SERVICE	20170315 AD45B DAILY SERVICE MONDAY	0
100-TR-020-HYD	Replace leaking brake cool hose	20170315 Replace leaking brake cool hose	20170323
100-TR-020-HYD	oil leak	20170313 oil leak	20170323
100-TR-020-STR	refitted bent damaged door window	20170311 refitted bent damaged door window	20170324
100-TR-020	100-TR-020 AD45B DAILY SERVICE	20170308 AD45B DAILY SERVICE WEDNESDAY	20170323
100-TR-020	100-TR-020 AD45B DAILY SERVICE	20170308 AD45B DAILY SERVICE TUESDAY	0
100-TR-020	100-TR-020 AD45B DAILY SERVICE	20170308 AD45B DAILY SERVICE FRIDAY	0

100-TR-020	100-TR-020 AD45B DAILY SERVICE	20170308 AD45B DAILY SERVICE MONDAY	0
100-TR-020	100-TR-020 AD45B DAILY SERVICE	20170308 AD45B DAILY SERVICE SATURDAY	20170311
100-TR-020	100-TR-020 AD45B DAILY SERVICE	20170308 AD45B DAILY SERVICE SUNDAY	20170312
100-TR-020	100-TR-020 AD45B DAILY SERVICE	20170308 AD45B DAILY SERVICE THURSDAY	0
100-TR-020-HYD	BLOWN HOSE BRAKE CHARGE	20170307 BLOWN HOSE BRAKE CHARGE	20170323
100-TR-020	6 MONTHLY FIRE SUPPRESSION TESTING	20170303 6 MONTHLY FIRE SUPPRESSION TESTING	20170503
100-TR-020	6 MONTHLY FIRE SUPPRESSION TESTING	20170303 W.F.S - FIRE SUPPRESSION TR-20 - 0233	0
100-TR-020	1000HR CAT AD45B TRUCK SERVICE	20170303 1000HR CAT AD45B TRUCK MECH SERVICE	20170323
100-TR-020-ENG	REPLACED COMPRESSOR BELT	20170303 REPLACED COMPRESSOR BELT	20170323
100-TR-020	100-TR-020 AD45B DAILY SERVICE	20170301 AD45B DAILY SERVICE	20170323
100-TR-020-HYD	Hoses leaking	20170226 Hoses leaking	20170323
100-TR-020-ELC	Alternator broken	20170225 Replace Alternator	20170323
100-TR-020-DRV	REMOVE AND REPLACE ALL 4 TYRES	20170224 REMOVE AND REPLACE ALL 4 TYRES	20170503
100-TR-020	100-TR-020 AD45B DAILY SERVICE	20170222 AD45B DAILY SERVICE	20170323
100-TR-020-HYD	FIND AND FIX LEAK	20170222 FIND AND FIX LEAK	20170323
100-TR-020-ENG	REPLACE COOLANT LEVEL SENSOR	20170217 REPLACE COOLANT LEVEL SENSOR	20170228
100-TR-020	100-TR-020 AD45B DAILY SERVICE	20170215 AD45B DAILY SERVICE	20170228
100-TR-020	250HR CAT AD45B TRUCK SERVICE	20170213 250HR CAT AD45B TRUCK MECH SERVICE	20170228
100-TR-020-ENG	engine loosing power	20170211 engine loosing power	20170212
100-TR-020	100-TR-020 AD45B DAILY SERVICE	20170208 AD45B DAILY SERVICE	20170228
100-TR-020-DRV	POS 4 TYRE U/S	20170207 POS 4 TYRE U/S	20170207
100-TR-020-ELC	NOT STARTING	20170207 NOT STARTING	20170503
100-TR-020-ENG	Replace A/C high pressure valve fitting	20170202 Replace A/C high pressure valve fitting	20170503
100-TR-020	100-TR-020 AD45B DAILY SERVICE	20170201 AD45B DAILY SERVICE	20170206
100-TR-020	500HR CAT AD45B TRUCK SERVICE	20170128 500HR CAT AD45B TRUCK MECH SERVICE	20170128
100-TR-020	100-TR-020 AD45B DAILY SERVICE	20170125 AD45B DAILY SERVICE	20170131
100-TR-020-ELC	AUTOGREASER NOT WORKING	20170125 AUTOGREASER NOT WORKING	20170125
100-TR-020-ENG	TRUCK STOPPED WITH LOW COOLANT LIGHT ON	20170124 TRUCK STOPPED WITH LOW COOLANT LIGHT ON	20170124
100-TR-020	100-TR-020 AD45B DAILY SERVICE	20170118 AD45B DAILY SERVICE	20170124
100-TR-020	250HR CAT AD45B TRUCK SERVICE	20170117 250HR CAT AD45B TRUCK MECH SERVICE	20170118
100-TR-020-ELC	a/c fan u/s	20170117 a/c fan u/s	20170118
100-TR-020-DRV	flat pos 1 tyre	20170116 flat pos 1 tyre	20170118
100-TR-020-STR	CRACKED 1/4 WINDOW	20170112 CRACKED 1/4 WINDOW	20170118
100-TR-020	100-TR-020 AD45B DAILY SERVICE	20170111 AD45B DAILY SERVICE	20170118
100-TR-020-DRV	PARK BRAKE NOT RELEASING	20170107 PARK BRAKE NOT RELEASING	20170116
100-TR-020-HYD	Park brake wont release	20170107 Park brake wont release	20170228
100-TR-020	Tram truck from Peak to NC	20170106 Tram truck from Peak to NC	20170106
100-TR-020	RETURN TO WORK INSPECTION	20170105 RETURN TO WORK INSPECTION	20170116
100-TR-020	100-TR-020 AD45B DAILY SERVICE	20161228 AD45B DAILY SERVICE	20170106
100-TR-020	POS1 RETENSION	20161218 POS1	20161218
100-TR-020-DRV	Replace flat pos 2	20161217 Replace flat pos 2	20161218
100-TR-020	100-TR-020 AD45B DAILY SERVICE	20161214 AD45B DAILY SERVICE	20161229
100-TR-020	2000HR CAT AD45B TRUCK SERVICE	20161214 2000HR CAT AD45B TRUCK MECH SERVICE	20161220
100-TR-020	100-TR-020 AD45B DAILY SERVICE	20161207 AD45B DAILY SERVICE	20161220
100-TR-020-HYD	REPLACE LEAKING HOSES	20161205 REPLACE LEAKING HOSES	20161212
100-TR-020-HYD	LEAKING COOLING HOSE	20161205 LEAKING COOLING HOSE	20161212
100-TR-020	100-TR-020 AD45B DAILY SERVICE	20161130 AD45B DAILY SERVICE	20161220
100-TR-020-STR	RETURN TO WORK INSPECTION TRUCK 20	20161130 RETURN TO WORK INSPECTION TRUCK 20	20161220
100-TR-020-ELC	NOT CHARGING	20161119 NOT CHARGING	20161122
100-TR-020-STR	DAMAGE REPAIRS TO CAB	20161119 DAMAGE REPAIRS TO CAB	20161119
100-TR-020-STR	DAMAGE REPAIRS TO CAB	20161119 TURNERS - TRANSPORT TR-20 PGM - PJL	0
100-TR-020-STR	DAMAGE REPAIRS TO CAB	20161119 TURNERS - TRANSPORT TR-20 PJL - PGM	0
100-TR-020-STR	DAMAGE REPAIRS TO CAB	20161119 PJL - DAMAGE REPAIRS TO DASH Q#20448	0
100-TR-020	250HR CAT AD45B TRUCK SERVICE	20161118 250HR CAT AD45B TRUCK MECH SERVICE	20161128
100-TR-020-HYD	SHORT HOSE TO FILTERS U/S	20161117 SHORT HOSE TO FILTERS U/S	20161220
100-TR-020	100-TR-020 AD45B DAILY SERVICE	20161116 AD45B DAILY SERVICE	20161128
100-TR-020	6 MONTHLY GAS TESTING	20161109 6 MONTHLY GAS TESTING PM2079	20161110
100-TR-020	100-TR-020 AD45B DAILY SERVICE	20161107 AD45B DAILY SERVICE	20161122
100-TR-020	truck shut down no power	20161107 truck shut down no power	20161108
100-TR-020	RETURN TO SITE CHECKS	20161105 RETURN TO SITE CHECKS	20161109
100-TR-020	500HR CAT AD45B TRUCK SERVICE	20160904 500HR CAT AD45B TRUCK MECH SERVICE	20161016
100-TR-020	FRONT END DAMAGE DUE TO COLLISION TR18	20160903 TURNERS - TRANSPORT TR-20 PGM - PJL	0
100-TR-020	FRONT END DAMAGE DUE TO COLLISION TR18	20160903 FRONT END DAMAGE DUE TO COLLISION TR18	20160912
100-TR-020	FRONT END DAMAGE DUE TO COLLISION TR18	20160903 PJL - DAMAGE REPAIRS TO TR-20 Q#19896	0
100-TR-020	FRONT END DAMAGE DUE TO COLLISION TR18	20160903 TURNERS - TRANSPORT TR-20 PJL - PGM	0
100-TR-020	100-TR-020 AD45B DAILY SERVICE	20160831 AD45B DAILY SERVICE	20160912
100-TR-020-STR	BLOWN HOSE	20160830 BLOWN HOSE	20160912
100-TR-020	100-TR-020 AD45B DAILY SERVICE	20160824 AD45B DAILY SERVICE	20161013
100-TR-020-ENG	U/S ENGINE COOLING FAN	20160822 U/S ENGINE COOLING FAN	20160912

100-TR-020	100-TR-020 AD45B DAILY SERVICE	20160817 AD45B DAILY SERVICE	20160902
100-TR-020	250HR CAT AD45B TRUCK SERVICE	20160816 250HR CAT AD45B TRUCK MECH SERVICE	20160816
100-TR-020-HYD	blown break hose	20160816 blown break hose	20160816
100-TR-020	100-TR-020 AD45B DAILY SERVICE	20160810 AD45B DAILY SERVICE	20160816
100-TR-020	100-TR-020 AD45B DAILY SERVICE	20160803 AD45B DAILY SERVICE	20160804
100-TR-020	1000HR CAT AD45B TRUCK SERVICE	20160802 1000HR CAT AD45B TRUCK MECH SERVICE	20160802
100-TR-020-DRV	POS 3 TYRE U/S	20160728 POS 3 TYRE U/S	20160831
100-TR-020	100-TR-020 AD45B DAILY SERVICE	20160727 AD45B DAILY SERVICE	20160810
100-TR-020-ELC	REPLACED U/S BATTERY	20160726 REPLACED U/S BATTERY	20160801
100-TR-020	100-TR-020 AD45B DAILY SERVICE	20160720 AD45B DAILY SERVICE	20160801
100-TR-020	100-TR-020 AD45B DAILY SERVICE	20160713 AD45B DAILY SERVICE	20160717
100-TR-020	100-TR-020 AD45B DAILY SERVICE	20160706 AD45B DAILY SERVICE	20160713
100-TR-020	250HR CAT AD45B TRUCK SERVICE	20160706 250HR CAT AD45B TRUCK MECH SERVICE	20160726
100-TR-020-DRV	pos1 flat	20160702 pos1 flat	20160702
100-TR-020-DRV	REPLACE POS 2	20160702 REPLACE POS 2	20160703
100-TR-020	100-TR-020 AD45B DAILY SERVICE	20160629 AD45B DAILY SERVICE	20160715
100-TR-020	VIMS REPAIRS (WESTRAC)	20160628 VIMS REPAIRS (WESTRAC)	20160824
100-TR-020	brake chage valve	20160623 brake chage valve	20160630
100-TR-020	100-TR-020 AD45B DAILY SERVICE	20160622 AD45B DAILY SERVICE	20160630
100-TR-020	100-TR-020 AD45B DAILY SERVICE	20160615 AD45B DAILY SERVICE	20160619
100-TR-020	500HR CAT AD45B TRUCK SERVICE	20160614 500HR CAT AD45B TRUCK MECH SERVICE	20160615
100-TR-020	Dipstick missing	20160614 Dipstick missing	20160615
100-TR-020-ELC	Alternator U/S	20160614 Alternator U/S	20160615
100-TR-020-DRV	BRAKE CHARGE VALVE FAULTY	20160613 BRAKE CHARGE VALVE FAULTY	20160614
100-TR-020	100-TR-020 AD45B DAILY SERVICE	20160608 AD45B DAILY SERVICE	20160615
100-TR-020	100-TR-020 AD45B DAILY SERVICE	20160601 AD45B DAILY SERVICE	20160608
100-TR-020	100-TR-020 AD45B DAILY SERVICE	20160525 AD45B DAILY SERVICE	20160601
100-TR-020-HYD	squealing noise in cabin	20160516 squealing noise in cabin	20160518
100-TR-020	250HR CAT AD45B TRUCK SERVICE	20160513 250HR CAT AD45B TRUCK MECH SERVICE	20160518
100-TR-020	Truck 20 12V aux not working	20160511 Truck 20 12V aux not working	20160511
100-TR-020	100-TR-020 AD45B DAILY SERVICE	20160511 AD45B DAILY SERVICE	20160518
100-TR-020-DRV	WHEEL END LEAK	20160510 WARRANTY - POS 1 DUO LEAK SI08823	0
100-TR-020-DRV	WHEEL END LEAK	20160510 WHEEL END LEAK	20160511
100-TR-020	100-TR-020 AD45B DAILY SERVICE	20160504 AD45B DAILY SERVICE	20160512
100-TR-020-ENG	EXHAUST HAS COME APART	20160504 EXHAUST HAS COME APART	20160517
100-TR-020-ELC	Engine wont crank	20160430 Replace starter motor	20160505
100-TR-020	100-TR-020 AD45B DAILY SERVICE	20160427 AD45B DAILY SERVICE	20160505
100-TR-020	replace blown pos#3 tyre assy	20160424 replace blown pos#3 tyre assy	20160424
100-TR-020	2000HR CAT AD45B TRUCK SERVICE	20160422 2000HR CAT AD45B TRUCK MECH SERVICE	20160422
100-TR-020	2000HR CAT AD45B TRUCK SERVICE	20160422 WESTRAC LABOUR FOR 2000HR SERV. SI08895	20160505
100-TR-020	100-TR-020 AD45B DAILY SERVICE	20160420 AD45B DAILY SERVICE	20160502
100-TR-020	100-TR-020 AD45B DAILY SERVICE	20160413 AD45B DAILY SERVICE	20160428
100-TR-020	100-TR-020 AD45B DAILY SERVICE	20160406 AD45B DAILY SERVICE	20160428
100-TR-020-ELC	REPLACE U/S STARTER MOTOR 5838HRS	20160406 REPLACE U/S STARTER MOTOR 5838HRS	20160413
100-TR-020-DRV	WARRANTY - REPLACE PLANETARY SHAFTS	20160331 WESTRAC REPAIR DUO LEAK SI08919 TR-20	0
100-TR-020-DRV	WARRANTY - REPLACE PLANETARY SHAFTS	20160331 WARRANTY - REPLACE PLANETARY SHAFTS	20160413
100-TR-020-DRV	WARRANTY - REPLACE PLANETARY SHAFTS	20160331 WARRANTY - PLANETARY SHAFTS SI08823 TR20	0
100-TR-020	250HR CAT AD45B TRUCK SERVICE	20160330 250HR CAT AD45B TRUCK MECH SERVICE	20160413
100-TR-020	100-TR-020 AD45B DAILY SERVICE	20160330 AD45B DAILY SERVICE	20160413
100-TR-020	100-TR-020 AD45B DAILY SERVICE	20160323 AD45B DAILY SERVICE	20160413
100-TR-020	Shut down in decline	20160321 Shut down in decline	20160420
100-TR-020	Replace u/s a/c fan	20160321 Replace u/s a/c fan	20160420
100-TR-020	Replace leaking tyre	20160319 Replace leaking tyre	20160420
100-TR-020	100-TR-020 AD45B DAILY SERVICE	20160316 AD45B DAILY SERVICE	20160420
100-TR-020	500HR CAT AD45B TRUCK SERVICE	20160315 500HR CAT AD45B TRUCK MECH SERVICE	20160323
100-TR-020-DRV	PARK BRAKE FAULT TRUCK 20	20160314 ADDITIONAL COSTS FOR SI1217252	0
100-TR-020-DRV	PARK BRAKE FAULT TRUCK 20	20160314 PARK BRAKE FAULT TRUCK 20	20160323
100-TR-020-DRV	PARK BRAKE FAULT TRUCK 20	20160314 NON WARRANTY COSTS FOR F/DRIVE SI08840	0
100-TR-020	100-TR-020 AD45B DAILY SERVICE	20160310 AD45B DAILY SERVICE	20160322
100-TR-020	100-TR-020 AD45B DAILY SERVICE	20160309 AD45B DAILY SERVICE	20160414
100-TR-020	100-TR-020 AD45B DAILY SERVICE	20160302 AD45B DAILY SERVICE	20160414
100-TR-020	6 MONTHLY FIRE SUPPRESSION TESTING	20160301 FIRE SUPPRESSION TESTING TR-20 FX-9402	0
100-TR-020	6 MONTHLY FIRE SUPPRESSION TESTING	20160301 6 MONTHLY FIRE SUPPRESSION TESTING	20160428
100-TR-020	6 MONTHLY GAS TESTING	20160301 6 MONTHLY GAS TESTING PM2079	20160428
100-TR-020	250HR CAT AD45B TRUCK SERVICE	20160226 250HR CAT AD45B TRUCK MECH SERVICE	20160322
100-TR-020	TRUCK NOT STARTING	20160224 TRUCK NOT STARTING	20160226
100-TR-020-DRV	REPLACE P3 LEAKING TYRE 5158 HRS	20160220 REPLACE P3 LEAKING TYRE 5158 HRS	20160322
100-TR-020	loose arm rest on seat	20160218 loose arm rest on seat	20160322
100-TR-020	100-TR-020 AD45B DAILY SERVICE	20160217 AD45B DAILY SERVICE	20160322

100-TR-020	100-TR-020 AD45B DAILY SERVICE	20160215 AD45B DAILY SERVICE	20160224
100-TR-020	1000HR CAT AD45B TRUCK SERVICE	20160215 1000HR CAT AD45B TRUCK MECH SERVICE	20160224
100-TR-020	broken gear selector	20160213 broken gear selector	20160224
100-TR-020	100-TR-020 AD45B DAILY SERVICE	20160210 AD45B DAILY SERVICE	20160215
100-TR-020	100-TR-020 AD45B DAILY SERVICE	20160203 AD45B DAILY SERVICE	20160214
100-TR-020-HYD	REPLACE AXLE COOLING HOSES	20160131 REPLACE AXLE COOLING HOSES	20160428
100-TR-020	brakes stuck on	20160130 WARRANTY - REAR AXLE REPAIRS SI08711	0
100-TR-020	brakes stuck on	20160130 brakes stuck on	20160214
100-TR-020-DRV	BRAKE ISSUES (WARRANTY)	20160127 TR-20 BRAKE ISSUES (WARRANTY)	20160428
100-TR-020	100-TR-020 AD45B DAILY SERVICE	20160120 AD45B DAILY SERVICE	20160203
100-TR-020	100-TR-020 AD45B DAILY SERVICE	20160113 AD45B DAILY SERVICE	20160209
100-TR-020	REPAIR LEAKING REAR STRUCTURE & TURBO	20160111 REPAIR LEAKING REAR STRUCTURE & TURBO	20160428
100-TR-020	REPAIR LEAKING REAR STRUCTURE & TURBO	20160111 NON-WARRANTY COSTS SI08681 TR-20	0
100-TR-020	REPAIR LEAKING REAR STRUCTURE & TURBO	20160111 CLEAN DPF78178-F & CLAMPS IS04797 TR-20	0
100-TR-020	REPAIR LEAKING REAR STRUCTURE & TURBO	20160111 WARRANTY - REAR STRUCTURE TR-20 SI08681	0
100-TR-020	REPAIR LEAKING REAR STRUCTURE & TURBO	20160111 PRISKS TRANSPORT TR-20 WESTRAC - PEAK	0
100-TR-020	REPAIR LEAKING REAR STRUCTURE & TURBO	20160111 PRISKS TRANSPORT TR-20 PEAK - WESTRAC	0
100-TR-020	100-TR-020 AD45B DAILY SERVICE	20160106 AD45B DAILY SERVICE	20160209
100-TR-020	100-TR-020 AD45B DAILY SERVICE	20151230 AD45B DAILY SERVICE	20160113
100-TR-020	Tyre change and oil leaks (4495)	20151229 Tyre change and oil leaks (4495)	20160104
100-TR-020	500HR CAT AD45B TRUCK SERVICE	20151224 500HR CAT AD45B TRUCK MECH SERVICE	20160104
100-TR-020	100-TR-020 AD45B DAILY SERVICE	20151223 AD45B DAILY SERVICE	20160114
100-TR-020	BLOWN A/C HOSE	20151219 BLOWN A/C HOSE	20151222
100-TR-020	exhaust leak	20151217 exhaust leak	20160113
100-TR-020	100-TR-020 AD45B DAILY SERVICE	20151216 AD45B DAILY SERVICE	20160114
100-TR-020	DIAGNOSE AND REPAIR A/C ISSUE 4388HRS	20151215 DIAGNOSE AND REPAIR A/C ISSUE 4388HRS	20151216
100-TR-020	POS 3 TIRE U/S = SIDE WALL DAMAGED	20151214 POS 3 TIRE U/S = SIDE WALL DAMAGED	20151221
100-TR-020	flat tyre in decline	20151213 flat tyre in decline	20160114
100-TR-020	REPLACED U/S A/C COMPRESSOR	20151212 REPLACED U/S A/C COMPRESSOR	20151221
100-TR-020	100-TR-020 AD45B DAILY SERVICE	20151209 AD45B DAILY SERVICE	20160114
100-TR-020	TR-20 BRAKE HOSE U/S	20151207 TR-20 BRAKE HOSE U/S	20151214
100-TR-020	250HR CAT AD45B TRUCK SERVICE	20151203 250HR CAT AD45B TRUCK MECH SERVICE	20151214
100-TR-020	WESTRAC WARRANTY REPAIRS TO H-FRAME	20151203 WESTRAC WARRANTY REPAIRS TO H-FRAME	20151214
100-TR-020	100-TR-020 AD45B DAILY SERVICE	20151202 AD45B DAILY SERVICE	20151215
100-TR-020	Flat tyre	20151130 Flat tyre	20151203
100-TR-020	ac fault	20151126 ac fault	20151203
100-TR-020	100-TR-020 AD45B DAILY SERVICE	20151125 AD45B DAILY SERVICE	20151203
100-TR-020	100-TR-020 AD45B DAILY SERVICE	20151118 AD45B DAILY SERVICE	20151203
100-TR-020	100-TR-020 HOUR BASED SERVICE	20151118 2000HR SERVICE	20151203
100-TR-020	100-TR-020 AD45B DAILY SERVICE	20151111 AD45B DAILY SERVICE	20151125
100-TR-020	100-TR-020 AD45B DAILY SERVICE	20151104 AD45B DAILY SERVICE	20151202
100-TR-020	A/C FAULT - BROKEN WIRING LOOM	20151103 A/C FAULT - BROKEN WIRING LOOM	20151120
100-TR-020	a/c fault	20151103 a/c fault	20151106
100-TR-020	100-TR-020 AD45B DAILY SERVICE	20151028 AD45B DAILY SERVICE	20151113
100-TR-020	100-TR-020 HOUR BASED SERVICE	20151027 250HR SERVICE	20151027
100-TR-020	r&r pos 4 tyre slow leak	20151026 r&r pos 4 tyre slow leak	20151027
100-TR-020	replace pos 1	20151025 replace pos 1	20151027
100-TR-020	100-TR-020 AD45B DAILY SERVICE	20151021 AD45B DAILY SERVICE	20151030
100-TR-020	FLAT POS 1 TIRE	20151019 FLAT POS 1 TIRE	20151022
100-TR-020	100-TR-020 AD45B DAILY SERVICE	20151014 AD45B DAILY SERVICE	20151022
100-TR-020	100-TR-020 HOUR BASED SERVICE	20151008 500HR SERVICE	20151019
100-TR-020	100-TR-020 AD45B DAILY SERVICE	20151007 AD45B DAILY SERVICE	20151021
100-TR-020	100-TR-020 AD45B DAILY SERVICE	20150930 AD45B DAILY SERVICE	20151020
100-TR-020	100-TR-020 AD45B DAILY SERVICE	20150923 AD45B DAILY SERVICE	20151020
100-TR-020	100-TR-020 AD45B DAILY SERVICE	20150916 AD45B DAILY SERVICE	20151020
100-TR-020	armouring up truck	20150916 armouring up truck	20151019
100-TR-020	100-TR-020 HOUR BASED SERVICE	20150915 250HR SERVICE	20150929
100-TR-020	100-TR-020 AD45B DAILY SERVICE	20150909 AD45B DAILY SERVICE	20151001
100-TR-020	pos 2 tyre flat	20150907 pos 2 tyre flat	20150916
100-TR-020	Pos 3 flat tyre	20150907 Pos 3 flat tyre	20150916
100-TR-020	100-TR-020 AD45B DAILY SERVICE	20150902 AD45B DAILY SERVICE	20150922
100-TR-020	100-TR-020 HOUR BASED SERVICE	20150827 1000HR SERVICE	20150921
100-TR-020	100-TR-020 AD45B DAILY SERVICE	20150826 AD45B DAILY SERVICE	20151001
100-TR-020	100-TR-020 AD45B DAILY SERVICE	20150819 AD45B DAILY SERVICE	20150922
100-TR-020	Replace camera monitor (warranty)	20150819 Replace camera monitor (warranty)	20150921
100-TR-020	100-TR-020 AD45B DAILY SERVICE	20150812 AD45B DAILY SERVICE	20150827
100-TR-020	REPLACE DAMAGED ALT AND BELT	20150806 REPLACE DAMAGED ALT AND BELT	20150819
100-TR-020	100-TR-020 AD45B DAILY SERVICE	20150805 AD45B DAILY SERVICE	20150820
100-TR-020	REPLACE OUT OF DATE FIRE EXTINGUISHER	20150805 REPLACE OUT OF DATE FIRE EXTINGUISHER	20150819

100-TR-020	100-TR-020 HOUR BASED SERVICE	20150731 250HR SERVICE	20150921
100-TR-020	100-TR-020 AD45B DAILY SERVICE	20150729 AD45B DAILY SERVICE	20150813
100-TR-020	100-TR-020 AD45B DAILY SERVICE	20150722 AD45B DAILY SERVICE	20150807
100-TR-020	100-TR-020 AD45B DAILY SERVICE	20150715 AD45B DAILY SERVICE	20150730
100-TR-020	100-TR-020 AD45B DAILY SERVICE	20150708 AD45B DAILY SERVICE	20150708
100-TR-020	100-TR-020 HOUR BASED SERVICE	20150708 500HR SERVICE	20150715
100-TR-020	100-TR-020 AD45B DAILY SERVICE	20150708 AD45B DAILY SERVICE	20150715
100-TR-020	100-TR-020 AD45B DAILY SERVICE	20150701 AD45B DAILY SERVICE	20150715
100-TR-020	100-TR-020 AD45B DAILY SERVICE	20150617 AD45B DAILY SERVICE	20150707
100-TR-020	100-TR-020 HOUR BASED SERVICE	20150617 250HR SERVICE	20150624
100-TR-020	100-TR-020 AD45B DAILY SERVICE	20150612 AD45B DAILY SERVICE	20150707
100-TR-020	100-TR-020 AD45B DAILY SERVICE	20150610 AD45B DAILY SERVICE	20150708
100-TR-020	100-TR-020 AD45B DAILY SERVICE	20150603 AD45B DAILY SERVICE	20150707
100-TR-020	100-TR-020 HOUR BASED SERVICE	20150602 2000HR SERVICE	20150624
100-TR-020	100-TR-020 HOUR BASED SERVICE	20150602 WESTRAC LABOUR TO CARRY OUT VALVE SET	0
100-TR-020	REPLACE BROKEN LOCK UP CLUTCH BOLTS	20150602 REPLACE BROKEN LOCK UP CLUTCH BOLTS	20150622
100-TR-020	100-TR-020 HOUR BASED SERVICE	20150521 250HR SERVICE	20150602
100-TR-020	100-TR-020 AD45B DAILY SERVICE	20150520 AD45B DAILY SERVICE	20150602
100-TR-020	REPLACE MISSING FILLER CAP	20150514 REPLACE MISSING FILLER CAP	20150602
100-TR-020	100-TR-020 AD45B DAILY SERVICE	20150513 AD45B DAILY SERVICE	20150602
100-TR-020	100-TR-020 AD45B DAILY SERVICE	20150506 AD45B DAILY SERVICE	20150602
100-TR-020	REPLACE LEAKING RH STEERING NEUTRALIZER	20150430 REPLACE LEAKING RH STEERING NEUTRALIZER	20150513
100-TR-020	100-TR-020 HOUR BASED SERVICE	20150429 500HR SERVICE	20150513
100-TR-020	100-TR-020 AD45B DAILY SERVICE	20150429 AD45B DAILY SERVICE	20150513
100-TR-020	100-TR-020 AD45B DAILY SERVICE	20150422 AD45B DAILY SERVICE	20150513
100-TR-020	100-TR-020 AD45B DAILY SERVICE	20150415 AD45B DAILY SERVICE	20150505
100-TR-020	100-TR-020 HOUR BASED SERVICE	20150413 250HR SERVICE	20150422
100-TR-020	INTERMITTANT ELETRICAL FAULT	20150412 INTERMITTANT ELETRICAL FAULT	20150422
100-TR-020	100-TR-020 AD45B DAILY SERVICE	20150408 AD45B DAILY SERVICE	20150420
100-TR-020	100-TR-020 AD45B DAILY SERVICE	20150401 AD45B DAILY SERVICE	20150422
100-TR-020	100-TR-020 AD45B DAILY SERVICE	20150325 AD45B DAILY SERVICE	20150408
100-TR-020	100-TR-020 HOUR BASED SERVICE	20150319 1000HR SERVICE	20150331
100-TR-020	100-TR-020 AD45B DAILY SERVICE	20150318 AD45B DAILY SERVICE	20150408
100-TR-020	100-TR-020 AD45B DAILY SERVICE	20150311 AD45B DAILY SERVICE	20150323
100-TR-020	100-TR-020 AD45B DAILY SERVICE	20150304 AD45B DAILY SERVICE	20150421
100-TR-020	Repair loose exhaust	20150303 Repair loose exhaust	20150311
100-TR-020	100-TR-020 AD45B DAILY SERVICE	20150225 AD45B DAILY SERVICE	20150311
100-TR-020	park brake stuck on	20150223 park brake stuck on	20150226
100-TR-020	fuel leak	20150223 fuel leak	20150226
100-TR-020	100-TR-020 HOUR BASED SERVICE	20150221 250HR SERVICE	20150227
100-TR-020	100-TR-020 AD45B DAILY SERVICE	20150218 AD45B DAILY SERVICE	20150310
100-TR-020	Radio inop	20150218 Radio inop	20150225
100-TR-020	100-TR-020 AD45B DAILY SERVICE	20150211 AD45B DAILY SERVICE	20150225
100-TR-020	100-TR-020 HOUR BASED SERVICE	20150206 500HR SERVICE	20150225
100-TR-020	100-TR-020 AD45B DAILY SERVICE	20150204 AD45B DAILY SERVICE	20150225
100-TR-020	100-TR-020 AD45B DAILY SERVICE	20150128 AD45B DAILY SERVICE	20150204
100-TR-020	fit WEAR STRIPS	20150127 fit WEAR STRIPS	20150212
100-TR-020	100-TR-020 HOUR BASED SERVICE	20150122 250HR SERVICE	20150203
100-TR-020	100-TR-020 AD45B DAILY SERVICE	20150121 AD45B DAILY SERVICE	20150203
100-TR-020	100-TR-020 AD45B DAILY SERVICE	20150114 AD45B DAILY SERVICE	20150122
100-TR-020	100-TR-020 AD45B DAILY SERVICE	20150107 AD45B DAILY SERVICE	20150203
100-TR-020	100-TR-020 AD45B DAILY SERVICE	20141231 AD45B DAILY SERVICE	20150108
100-TR-020	100-TR-020 AD45B DAILY SERVICE	20141224 AD45B DAILY SERVICE	20150105
100-TR-020	DAILY SERVICE	20141223 DAILY SERVICE	20141231
100-TR-020	FIT TABLET SYSTEM 2015	0 FIT TABLET SYSTEM 2015	0
100-TR-020	OUT OF SCOPE CAPITAL REQUIREMENTS	0 OUT OF SCOPE CAPITAL REQUIREMENTS	0
100-TR-020	FITMENT OF TYRE TO SPARE RIM	0 FITMENT OF TYRE TO SPARE RIM	0
100-TR-020	FIT TABLET SYSTEM 2015	0 GTM LABOUR TO MOUNT TABLET TR-20	0
100-TR-020	Help fitter change out U/S alternator	0 Help fitter change out U/S alternator	0
100-TR-020	TRUCK 20 OVER CHARGING	0 TRUCK 20 OVER CHARGING	0
100-TR-020	REPAIR BRAKE ACCUMULATOR LIGHT ON DASH	0 REPAIR BRAKE ACCUMULATOR LIGHT ON DASH	0
100-TR-020	CHECK FOR BYPASS PLUG IN SEAT BELT WIRE	0 CHECK FOR BYPASS PLUG IN SEAT BELT WIRE	0
100-TR-020	HYD OIL LEAK TRUCK 20	0 HYD OIL LEAK TRUCK 20	0
100-TR-020	ENGINE USING OIL	0 ENGINE USING OIL	0
100-TR-020	WESTRAC WARRANTY T/C INLET VALVE LEAKING	0 WESTRAC WARRANTY T/C INLET VALVE LEAKING	0
100-TR-020	6 MONTHLY FIRE SUPPRESSION TESTING	0 6 MONTHLY FIRE SUPPRESSION TESTING	0
100-TR-020	6 MONTHLY FIRE SUPPRESSION TESTING	0 W.F.S FIRE SUP. TESTING TR-20 FX-8629	0
100-TR-020	REPLACE LEAKING AXLE COOLING HOSES	0 REPLACE LEAKING AXLE COOLING HOSES	0
100-TR-020	OSR TYRE FOR REPAIR. THIS IS A DUPLICATE	0 OSR TYRE FOR REPAIR	0

100-TR-020-DRV	OSR-17178 QUOTE TO REPAIR TYRE	0 OSR-17178 QUOTE TO REPAIR TYRE	0
100-TR-020-DRV	OSR 17117: 2X AD45B TYRES	0 OSR 17117: 2X AD45B TYRES	0
100-TR-020-DRV	SOS - B SAMPLES: FRONT AXLE DIRT INGRESS	0 SOS - B SAMPLES: FRONT AXLE DIRT INGRESS	0
100-TR-020-DRV	WESTRAC - INSPECT PLANETARIES	0 WESTRAC - INSPECT PLANETARIES	0
100-TR-020-DRV	WESTRAC - INSPECT PLANETARIES	0 WESTRAC - REPAIR PEX WHEEL ENDED PX43831	0
100-TR-020-DRV	WESTRAC - INSPECT PLANETARIES	0 WESTRAC - REBUILD WHEEL END SI09398	0
100-TR-020-DRV	WESTRAC - INSPECT PLANETARIES	0 WESTRAC - REPAIR PEX FRONT DIFF PX43830	0
100-TR-020-DRV	T/C OUT PUT YOKE HAS PLAY IN IT	0 PJJ - INSPECT CONVERTOR OUTPUT MOVEMENT	0
100-TR-020-DRV	PRESTART REPAIRS: TYRES & HYD TANK	0 REMOVE & REPLACE ALL TYRES	0
100-TR-020-DRV	PRESTART REPAIRS: TYRES & HYD TANK	0 TENSION ALL TYRES TO SPEC 429Nm +- 59Nm	0
100-TR-020-DRV	PRESTART REPAIRS: TYRES & HYD TANK	0 REPAIR HYDRAULIC TANK OIL LEAK	0
100-TR-020-ELC	REPLACE U/S CAMERA AND CABLE AS	0 REPLACE U/S CAMERA AND CABLE AS	0
100-TR-020-ELC	INSTALL FLASHING LIGHTS FROM INCIDENT	0 INSTALL FLASHING LIGHTS TR-20 8905	0
100-TR-020-ELC	MOUNT LED NUMBER BOARD	0 MOUNT LED NUMBER BOARD	0
100-TR-020-ELC	RETARDER NOT WORKING	0 RETARDER NOT WORKING	0
100-TR-020-ELC	VIMS REPAIRS (WESTRAC)	0 VIMS REPAIRS (WESTRAC) TN02198	0
100-TR-020-ELC	REPLACE WINDOW WIPER	0 REPLACE WINDOW WIPER	0
100-TR-020-ELC	CAB PRESSURIZER FAN U/S	0 CAB PRESSURIZER FAN U/S	0
100-TR-020-ENG	WESTRAC - REPAIR LEAKING FRONT STRUCTURE	0 WESTRAC - ADDITIONAL REPAIRS - TR-20	0
100-TR-020-ENG	WESTRAC - REPAIR LEAKING FRONT STRUCTURE	0 WESTRAC - REPAIR LEAKING FRONT STRUCTURE	0
100-TR-020-ENG	WESTRAC - REPAIR LEAKING FRONT STRUCTURE	0 B.F.S - TRANSPORT TR-20 PGM - WESTRAC	0
100-TR-020-ENG	WESTRAC - REPAIR LEAKING FRONT STRUCTURE	0 B.F.S - TRANSPORT TR-20 WESTRAC - PGM	0
100-TR-020-ENG	LOW POWER AND CONV OVER HEATING	0 LOW POWER AND CONV OVER HEATING	0
100-TR-020-ENG	INVESTIGATE EXHAUST EMISSIONS TREATMENT	0 INVESTIGATE EXHAUST EMISSIONS TREATMENT	0
100-TR-020-ENG	COOLING PIPE U/S	0 COOLING PIPE U/S	0
100-TR-020-ENG	COOLER PACK STARTING TO LEAK	0 REPLACE COOLER PACK ASSEMBLY	0
100-TR-020-ENG	TIMING GEAR SOUND IN CAB	0 PJJ - INSPECT TIMING GEAR SOUND IN CAB	0
100-TR-020-HYD	REPLACE CRACKED HOSE	0 REPLACE CRACKED HOSE	0
100-TR-020-HYD	REPLACE TRANSMISSION FILTER HOSE	0 REPLACE TRANSMISSION FILTER HOSE	0
100-TR-020-HYD	leaking pilot hoses	0 leaking pilot hoses	0
100-TR-020-HYD	replace main hyd hose to hoist valve	0 replace main hyd hose to hoist valve	0
100-TR-020-HYD	L/H STEER CYLINDER LEAKING	0 PJJ - INSPECT/REPORT L/H STEER CYLINDER	0
100-TR-020-HYD	REPLACE COOLING HOSES	0 REPLACE WIRING TO ALTERNATOR	0
100-TR-020-HYD	REPLACE COOLING HOSES	0 REPLACE COOLING HOSES	0
100-TR-020-HYD	REPLACE COOLING HOSES	0 REPLACE COOLING HOSES	0
100-TR-020-STR	REPLACED U/S SEAT BELT RECEPTICAL	0 REPLACED U/S SEAT BELT RECEPTICAL	0
100-TR-020-STR	PARTS TO REPAIR SIDE DOOR	0 PARTS TO REPAIR SIDE DOOR	0
100-TR-020-STR	REGAS AIR CONDITION	0 REGAS AIR CONDITION	0
100-TR-020-STR	R/H MUD GUARD DAMAGED	0 BOILERMAKER - REPAIR R/H MUD GUARD	0
100-TR-020-STR	REPAIR DAMAGED GREASE UNIT ASS	0 REPAIR GREASE UNIT ASSEMBLY Wrong mount	0
100-TR-020-STR	FIT WHEEL CHOCKS	0 PJJ- FIT WHEEL CHOCKS 24511	0
100-TR-020-STR	FIT WHEEL CHOCKS	0 FIT WHEEL CHOCKS	0
100-TR-020-STR	FRONT STRUTS NEED CHECKING	0 PJJ - INSPECT FRONT STRUTS FOR SAGGING	0
100-TR-020-STR	REPLACE SEAT	0 REPLACE SEAT	0
100-TR-020-STR	REPLACE DAMAGED WHEEL CHOCK HOLDERS	0 REPLACE WHEEL CHOCK HOLDERS	0
100-TR-020-STR	DAMAGE TO REAR LIGHT MOUNT	0 DAMAGE TO REAR LIGHT MOUNT	0

AD45B

Underground
Articulated Truck



Engine

Engine Model	Cat® C18 ACERT™	
Gross Power – SAE J1995	438 kW	587 hp

Operating Specifications

Nominal Payload Capacity	45 000 kg	99,208 lb
Gross Machine Operating Weight	85 000 kg	187,393 lb

Body Capacities

Dump Body – Standard	21.3 m ³	27.9 yd ³
----------------------	---------------------	----------------------

- Heaped SAE 2:1

Engine

Engine Model	Cat C18 ACERT™	
Rated Power	2,000 RPM	
Gross Power – SAE J1995	438 kW	587 hp
Net Power – SAE J1349	414 kW	556 hp
Net Power – ISO 9249	414 kW	556 hp
Net Power – 80/1269/EEC	414 kW	556 hp
Bore	145 mm	5.7 in
Stroke	183 mm	7.2 in
Displacement	18.1 L	1,104.53 in ³

- Power ratings apply at a rated speed of 2,000 rpm when tested under the reference conditions for the specified standard.
- Ratings based on SAE J1995 standard air conditions of 25° C (77° F) and 100 kPa (29.61 Hg) barometer. Power based on fuel having API gravity of 35 at 16° C (60° F) and an LHV of 42 780 kJ/kg (18,390 BTU/lb) when engine used at 30° C (86° F).
- Engine derate will commence at an altitude of 2700 m (8,858 ft).
- Compliant with U.S. Environmental Protection Agency Tier 3 emissions standards.

Operating Specifications

Nominal Payload Capacity	45 000 kg	99,208 lb
Gross Machine Operating Weight	85 000 kg	187,393 lb

Weights

Empty	40 000 kg	88,184 lb
Front Axle	27 600 kg	60,847 lb
Rear Axle	12 400 kg	27,337 lb
Loaded	85 000 kg	187,393 lb
Front Axle	38 760 kg	85,451 lb
Rear Axle	46 240 kg	101,942 lb

Weight Distribution

Empty	
Front Axle	69%
Rear Axle	31%
Loaded	
Front Axle	45.6%
Rear Axle	54.4%

Transmission

Forward 1	8 km/h	4.9 mph
Forward 2	10.9 km/h	6.8 mph
Forward 3	15.1 km/h	9.4 mph
Forward 4	20.6 km/h	12.8 mph
Forward 5	28.1 km/h	17.4 mph
Forward 6	38.1 km/h	23.7 mph
Forward 7	52 km/h	32.3 mph
Reverse 1	7.5 km/h	4.6 mph
Reverse 2	10.1 km/h	6.3 mph

- Maximum travel speeds with standard 29.5 x R29 tires.

Final Drives

Differential Ratio	3.46:1
Final Drive Ratio	5.65:1
Total Reduction Ratio	19.55:1

Body Hoist

Raise	16 Seconds
Lower	21 Seconds
Total Cycle Time	37 Seconds

Body Capacities

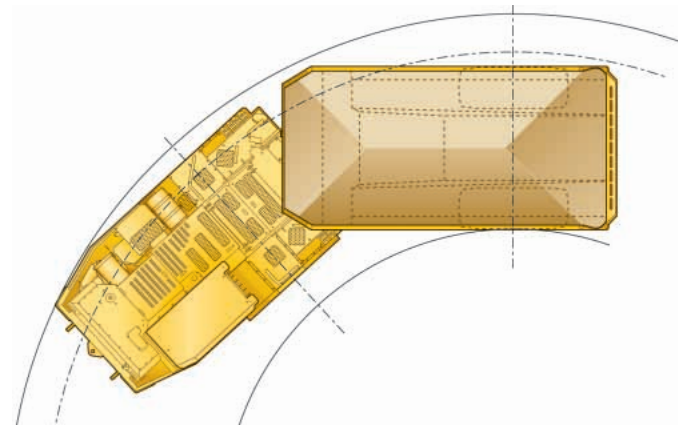
Dump Body – Standard	21.3 m ³	27.9 yd ³
Dump Body – Optional	25.1 m ³	32.8 yd ³
Ejector Body – Optional	22.9 m ³	30 yd ³

- Heaped SAE 2:1

Turning Dimensions

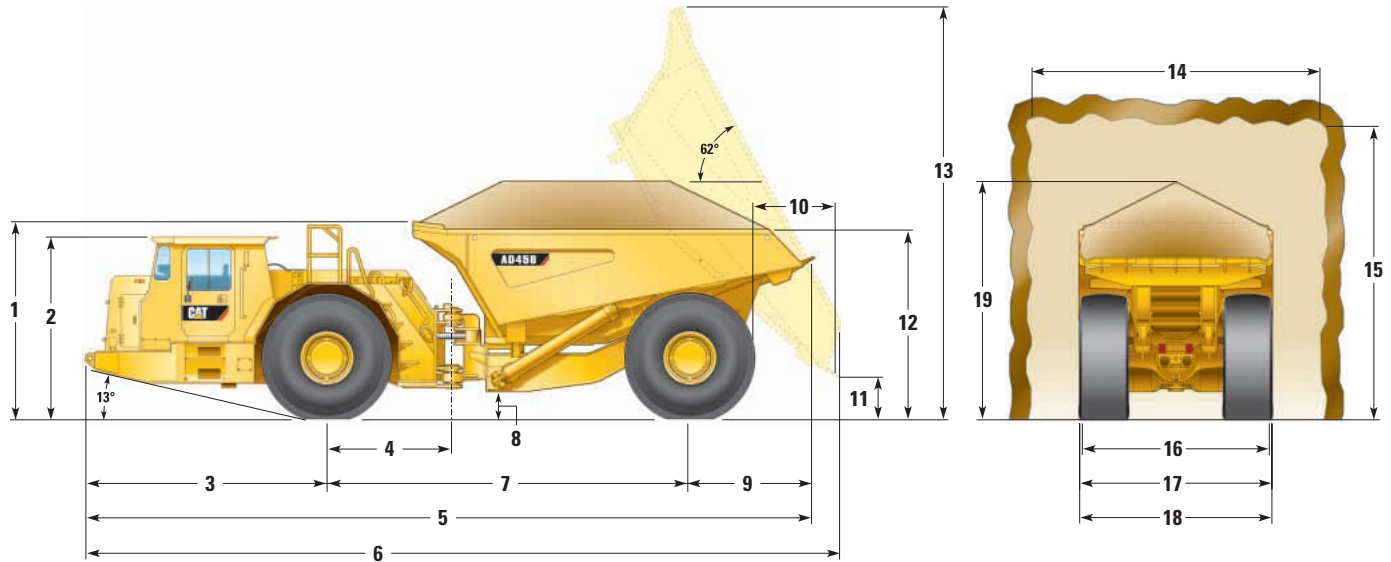
Outside Clearance Radius*	9291 mm	365.8 in
Inside Clearance Radius*	5310 mm	209 in
Frame Oscillation	10°	
Articulation Angle	42.5°	

- * Clearance dimensions are for reference only.



Dimensions

All dimensions are approximate.



	267-5319 (Standard Body)	275-0710	273-2823
Dump Body	21.3 m ³ (27.9 yd ³)	25.1 m ³ (32.8 yd ³)	–
Ejector Body	–	–	22.9 m ³ (30 yd ³)
1 Height to Top of Body	3036 mm (10'0")	3181 mm (10'5")	3463 mm (11'4")
2 Height to Top of ROPS	2817 mm (9'3")	2817 mm (9'3")	2817 mm (9'3")
3 Front Axle to Front Bumper	3718 mm (12'2")	3718 mm (12'2")	3718 mm (12'2")
4 Centerline of Front Axle to Centerline of Hitch	1920 mm (6'4")	1920 mm (6'4")	1920 mm (6'4")
5 Overall Length	11 194 mm (36'9")	11 194 mm (36'9")	11 305 mm (37'1")
6 Max Overall Length	11 622 mm (38'2")	11 682 mm (38'4")	11 305 mm (37'1")
7 Wheelbase	5570 mm (18'3")	5570 mm (18'3")	5570 mm (18'3")
8 Ground Clearance	441 mm (1'5")	441 mm (1'5")	441 mm (1'5")
9 Rear Axle to Tail	1906 mm (6'3")	1906 mm (6'3")	2017 mm (6'3")
10 Rear Wheel to Body Raised	1268 mm (4'2")	1268 mm (4'2")	946 mm (3'1")
11 Dump Clearance	665 mm (2'2")	665 mm (2'2")	1001 mm (3'3")
12 Loading Height	2925 mm (9'7")	3070 mm (10'1")	3179 mm (10'5")
13 Overall Height – Body Raised	6357 mm (20'10")	6603 mm (21'8")	–
14 Tunnel Clearance Width	4500 mm (14'9")	4500 mm (14'9")	4500 mm (14'9")
15 Tunnel Clearance Height	4500 mm (14'9")	4500 mm (14'9")	4500 mm (14'9")
16 Overall Tire Width	3000 mm (9'10")	3000 mm (9'10")	3000 mm (9'10")
17 Overall Width (Including Body)	3000 mm (9'10")	3200 mm (10'6")	3200 mm (10'6")
18 Overall Width (Excluding Body)	3000 mm (9'10")	3000 mm (9'10")	3000 mm (9'10")
19 Height to Top of Load (SAE 2:1)	3655 mm (12'0")	3705 mm (12'2")	3705 mm (12'2")