

**2011 Rhino Trailer 4 x 4 rows Suspension Widening Low Loader 2 x 4 rows Converter Dolly**



<b>Make</b>	Rhino Trailers		<b>Model</b>	Low loader 4 x 4 rows Deck Widening & 2 x 4 Dolly Package		
<b>Year</b>	2011	<b>Hours</b>			As at	
<b>Mileage</b>				km	As at	
<b>Serial/VIN</b>				<b>Engine Serial</b>		
<b>Details</b>	<p>2011 Rhino Trailer 4 x 4 rows Suspension Widening Low Loader asset no FCCT02 with 2011 Rhino Trailer 2 x 4 rows Low loader Converter Dolly asset no FCCD36.                  Updated maintenance details confirm that one set of bearings LHS of the float is ceased and suggest all bearings on both float &amp; dolly are changed and brakes serviced prior to going back into operation.                  Float is set up with Lusty hydraulic suspension FUWA K Hitch Fleet Master 90 KA11D90 turntable.                  For copies of the original build specs and design drawings contact us GES for a detailed equipment report.                  Suspension widening float overall length 16.68 Mtrs, Deck length 12.5 m and clear deck length of 11.997 m.</p>					

	Trailer closed @ 2495 mm and full widening @ 3795 mm. Float MRC: 60,000 kgs & Dolly MRC: 32,000 kgs. WA Registrations: 1TOL246 expires 29/01/2019 & 1TOL245 expires 10/08/2019. Please note: Tyres sitting on the trailer are not part of this sale. This unit is offered for sale via online auction on an "As Is Where Is" basis with the buyer responsible for transport ex site Naval Base, Western Australia.	
<b>Asking price</b>	AUD	Under review - call for pricing
<b>Ex site</b>	Australia, Western Australia, Naval Base	

<b>Service history</b>	Updated maintenance details confirm that one set of bearings LHS of the float is ceased and suggest all bearings on both float & dolly are changed and brakes serviced prior to going back into operation. Please note: Tyres sitting on the trailer are not part of this sale. Specifications as per GES Equipment report are from Rhino Trailers as per original quote and should be confirmed prior to purchase.
------------------------	--

**For further details, to make an offer or book an inspection, contact  
Global Equipment Solutions on Office: 08 9201 1142**





















## Specification Sheet

Customer	CARR CIVIL
Job No.	LL079
VIN No.	6B9CT3AB6BTAT7648
Order Date	18/05/2011
Deposit Received	
Delivery Date	27/07/2011
Version:	1
Customer Approval	Order Number 59779

Special Notes

### Gooseneck

### LOW LOADER DOLLY

Type	Single Pin	FOR LIFTING DOLLY
Kingpin Type Front	Drop In	
Kingpin Type Rear (if applicable)		
Size	90mm	
Oscillating Plate	Single	
Turntable Height mm		
Folding Gooseneck	No	
Tie Down Lugs	Yes	
Qty.		
Capacity	5 Tonne	
Material Web	8mm Grade350	
Material Top Flange	150 * 20 Grade 250	
Material Bottom Flange	150*20 Flat BIS80	
Top Deck		
Type		

### Chassis

Material Web		8mm gr 350
Material Top Flange	150 * 20 Grade 250	
Material Bottom Flange	150*20 Flat BIS80	
Drop Bed	No	
Extending Chassis	No	

### Decks

Deck Length mm		
Deck Height mm		
Material Deck		
Material Coaming		
Tie Downs		
Type		
Position		
Lip on Deck		
Drop Bed		
Water Tank		
Position		
Tool Box		
Position		
Twistlocks		
Position		
3 Step Ladder		
Ramps to Top Deck		
Type		
Locking Station		
Qty.		
Standard Deck Widener		
Width		
Suspension Widening		
Width		
Specify Extra Width		
Split Decks		
Timber In decks		



**Ramps**

Type		
Grip Lugs		
	Specify if Other	
Width of Ramp		
	Specify if Other	

**Axles**

Brand Name	TMC 19.5"	
Qty. of Axles	Tandem	
Axle Spacing	1250mm	
Extending Quad	No	
Size of axle	19.5"	
Axle Model		
Drum / Disc Brake axle	Disc Brake	
Stud Pattern	8 stud / 275 pcd	
Steer axle	No	
Lift axle	No	

**Tyre**

Brand Name	Double Coin	
Size	265/70R * 19.5"	
Quantity	10	

**Rim**

Brand Name	Any	
Size	7.5 * 19.5"	8 Stud / 275 PCD
Material	Steel	

**Suspension**

Type	Airbag	
Ride Height mm	370mm	
Brand Name	TMC	
Model No.	XP	
Extra airtank required?	Yes	
Air Dump Valve Kit	No	
Pressure Protection Valve	Yes	
Height Control Valve	Yes	
Raise / Lower Valve	No	

**Brakes**

Brand Name	AIR BRAKE	
Model No.	3852	
Variant		
Air Connection	Bayonet	
Remote positioned airtank?	No	
Extra airtanks?	No	
Coupling Location	Front	
Yard Release Kit	No	
Brake Settings:		
	Axle 1 :	
	Axle 2 :	
	Axle 3 :	
	Axle 4 :	

**Hydraulics**

Supply	Nil	
Diverter Valve Fitted	No	
Connection Type		
Coupling Location	Nil	
Operating Controls Location	N/A	
Powerpack Controls		
Size of Powerpack		

**Hydraulic Cylinders**

Deck Widener		
Split Deck Widener		
Ramps		
Double Fold Ramps		
Hydraulic Landing Legs		
Extending Quad		
Suspension Widening		

**Electrics**

Voltage	12 V	
ABS		
Qty. of axles with ABS		
Revolving Light		
Position		
Reversing Buzzer		
Work Light		
Position		
Plug Location	Front	
Specify If Other		

**Signs**

Oversize	No	
Cat 33 Rear Markers	Yes	
DNOTV Sign	Yes	
Chevron Signs	Yes	

**Paint**

General Colour	Red	
Ramps		
Rims	SILVER	
Other		
Signwriting		
Colour		

**Winch**

Size		
Winch Remote Control		
Location		

**Gates**

Notes		
-------	--	--

**Spare Tyre**

	Yes	
Spare Tyre Location	TOP OF GOOSENECK	
Quantity	2	

**Landing legs**

Type	Drop & Pin	
------	------------	--

**Mudguards / Mudflaps**

Position		
Quantity	4	Truckmate Plastic

**Flag Holders**

Qty.		
Position		

**Estimated Tare Weight**

3800 kg

**Extras**

* K Hitch 90mm Turntable
*
*
*
*

Price

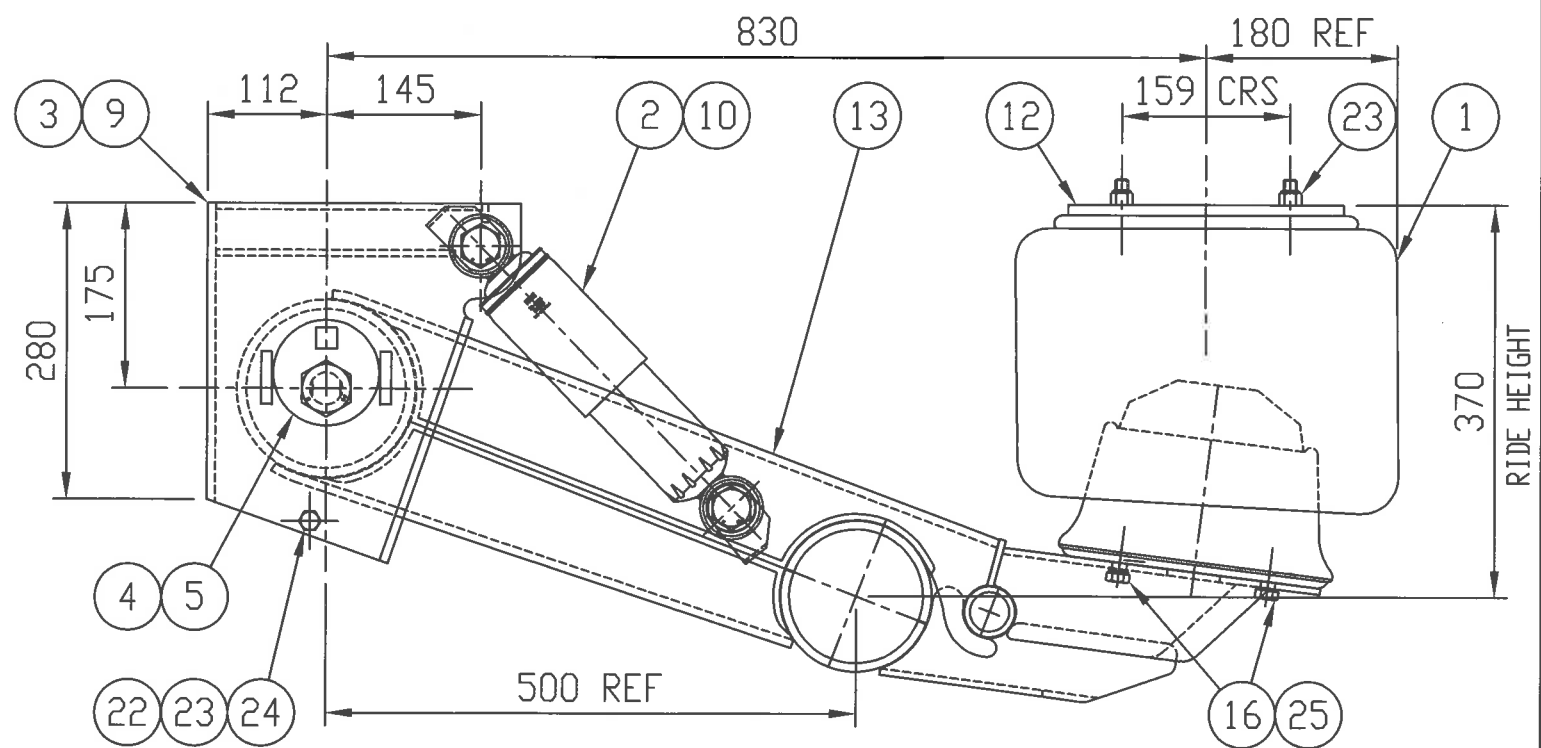
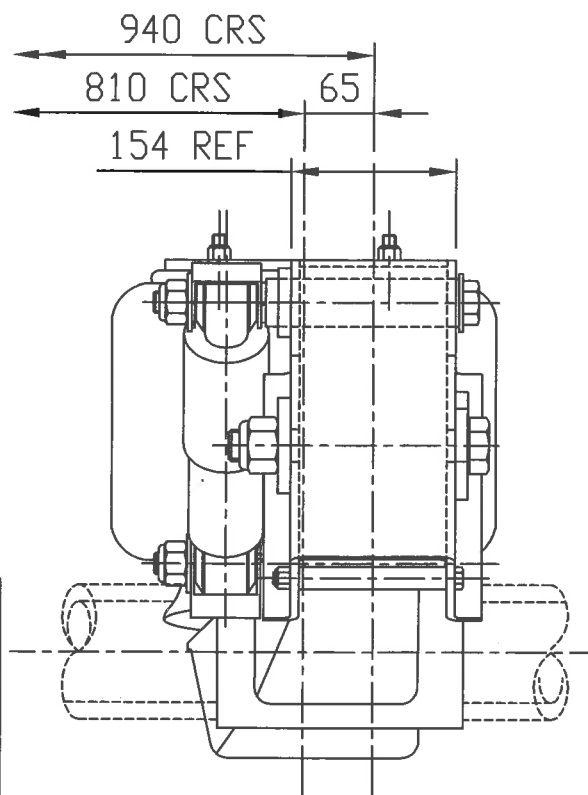
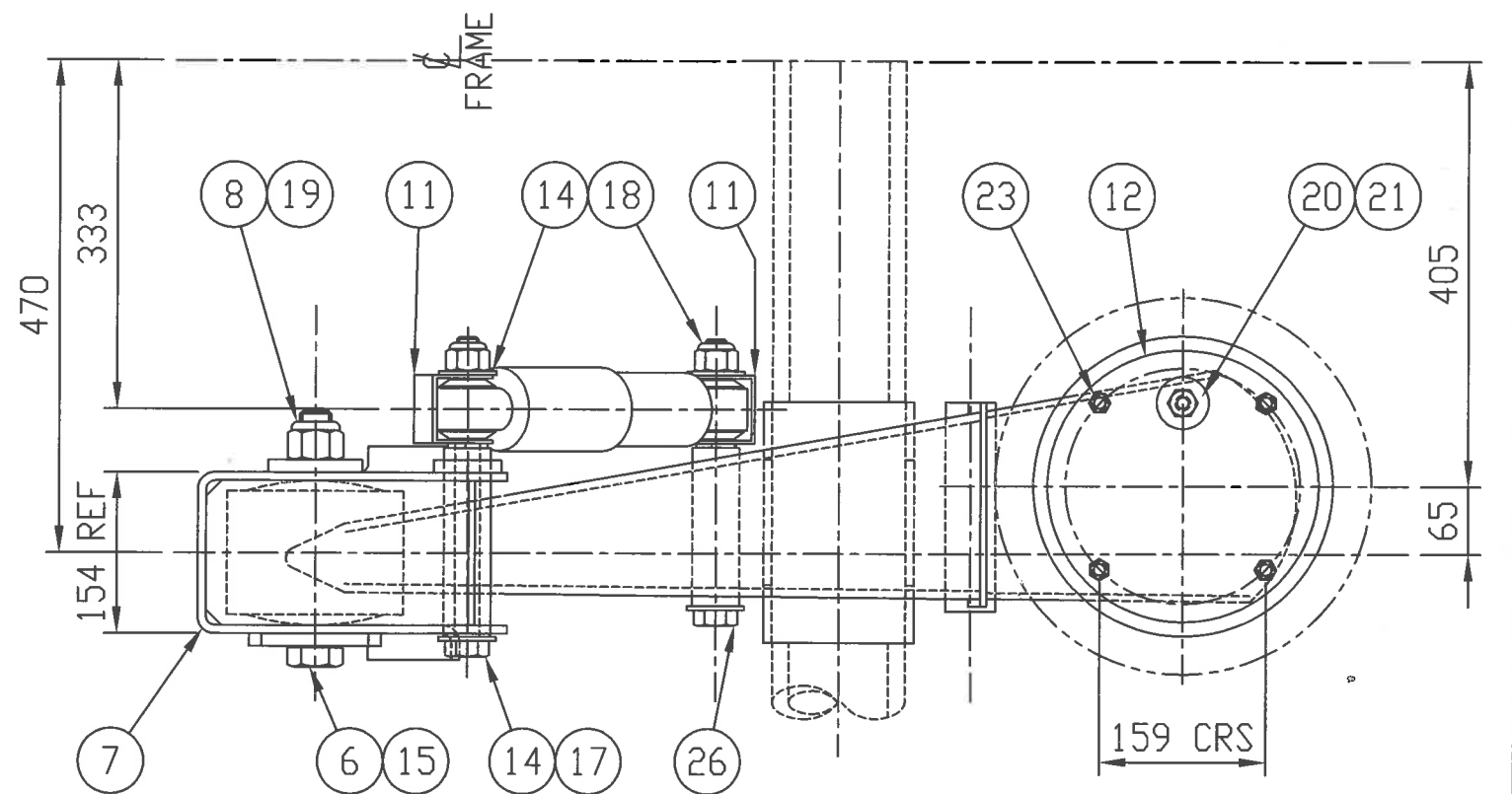


ITEM	PART NUMBER	QTY	DESCRIPTION
1	626908	2	AIRBAG - 1R14
2	626500	2	SHOCK ABSORBER M24
3	626113	1	SUSPENSION NAMEPLATE
4	626424	4	PIVOT BUSH LM Xp
5	626117/01	2	PIVOT BUSH JOINING SLEEVE
6	626422	2	PIVOT BOLT M30 x 220 long
7	626123	2	ALIGNMENT WASHER - PIVOT BOLT
8	626126	2	INNER WASHER - PIVOT BOLT
9	626530/01 & /02	2	FRONT HANGER 370 LH & RH LM Xp M24
10	626134/345/3	2	CATCH STRAP - ORANGE
11	626501	4	CATCH STRAP CLIP M24
12	626439	2	AIRBAG TOP PLATE - LM Xp
13	626543/01 & 02	2	HIGH MOUNT - ARM LH & RH LM Xp M24
14	9FWM24	8	M24 FLAT WASHER
15	9FWM30	4	M30 HARDENED FLAT WASHER
16	9HBM12175040	8	M12 HEX BOLT x 40 LONG
17	9HBM24300290	2	M24 HEX BOLT x 290 LONG
18	9LNM24	4	M24 NYLOC NUT
19	9LNM30	2	M30 NYLOC NUT
20	625235	2	M22 x 1/4" NPT ADAPTOR
21	625236	2	M22 SEAL
22	9HBM12175170	2	HEX BOLT M12 x 170 LONG
23	9LNM12	10	NYLOC NUT M12
24	626437	2	SPACER TUBE - FRONT HANGER LM Xp
25	9SWHM12	8	M12 HEAVY SPRING WASHER
26	9HBM24300250	2	M24 HEX BOLT x 250 LONG

**NOTE: -**

1. THE TRAILER BUILDER MUST PROVIDE ADEQUATE CROSSBRACING AND CROSSMEMBER SUPPORT AT THE FRONT SUSPENSION HANGER.
2. A SUITABLE CROSSMEMBER AND SUPPORT MUST ALSO BE FITTED TO THE AIRBAG PEDESTAL.
3. DIMENSIONS ARE ±2mm UNLESS OTHERWISE NOTED.

ISSUE	MODIFICATION	DATE	DRN/CHKD	DR No
B	Revised axle movement values	31.08.07	MW/BMM	070126



**FASTENER TORQUE SETTINGS**

PIVOT BOLT M30 (ITEM 6)	- 1100Nm.
SHOCK ABSORBER BOLT M24 (ITEM 17&26)	- 400Nm.
FRONT HANGER BOLT M12 (ITEM 22)	- 70Nm.
TOP AIRBAG LOCKNUT M12 (ITEM 23)	- 35Nm.
BOTTOM AIRBAG BOLTS M12 (ITEM 16)	- 35Nm.

**AUSTRALIAN A. D. R. 38/02 APPROVAL NUMBERS.**

- SINGLE AXLE SUSPENSION - 28935
- TANDEM AXLE SUSPENSION - 28936
- TRI AXLE SUSPENSION - 28937
- QUAD AXLE SUSPENSION - 29204
- ROAD FRIENDLY APPROVAL NUMBER - RF2035

SUSPENSION RIDE HEIGHT = 370mm.

AXLE MOVEMENT FROM RIDE HEIGHT;

UPWARDS = 100mm.

DOWNWARDS = 65mm.

VARIATION TO RIDE HEIGHT = 360 MIN / 380 MAX

**TMC Australia Pty Ltd**

COPYRIGHT © 2007 TMC Australia Pty Ltd ALL RIGHTS RESERVED

MATERIAL As noted

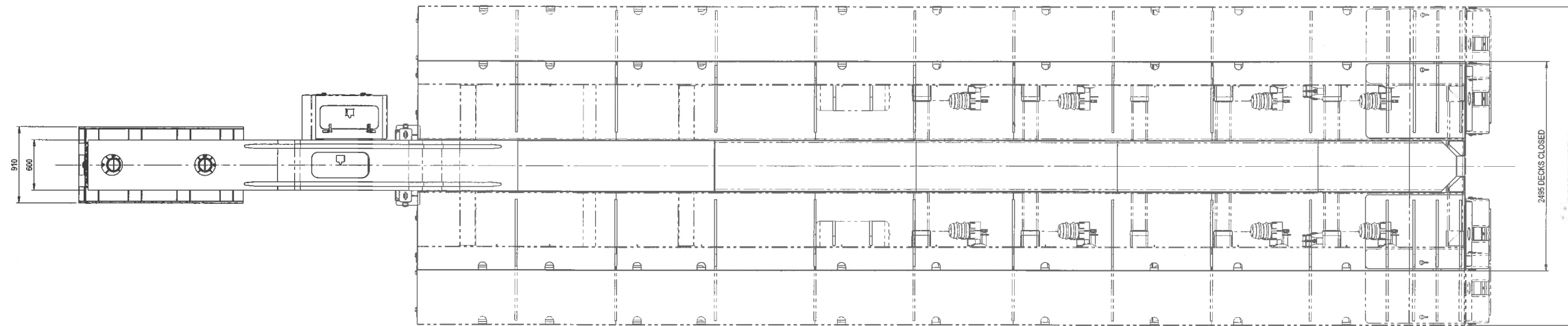
ALL DIMENSIONS IN MILLIMETRES UNLESS OTHERWISE STATED  
 UNSPECIFIED METRIC DIMENSION ±1mm  
 UNSPECIFIED ANGULAR DEGREES ±0.5°

DRAWN	MW
CHECKED	BMM
DATE	17.04.2007
SHEET	1 OF 1

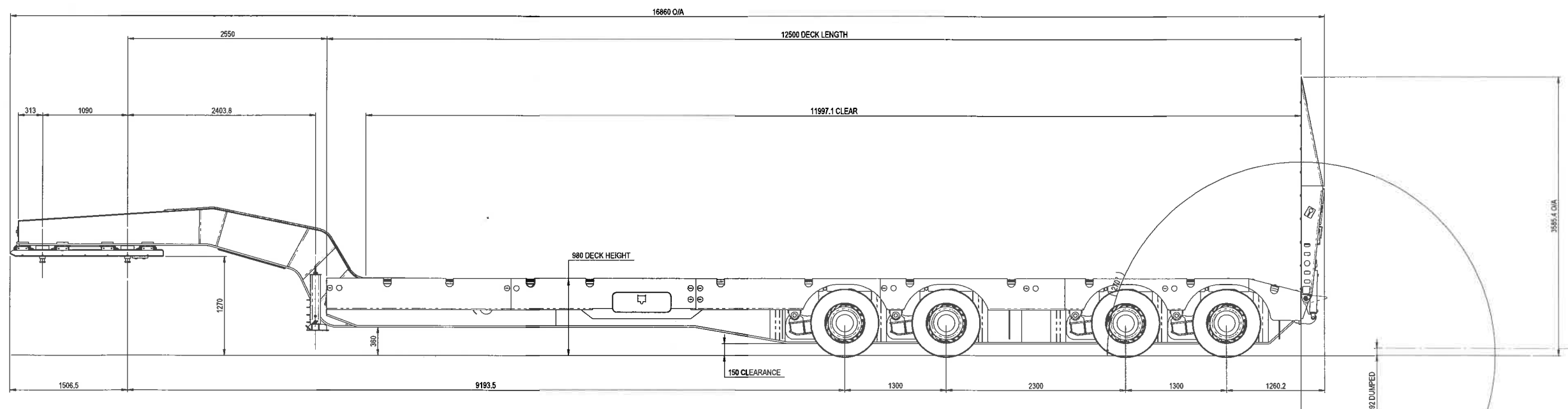
TITLE LM Xp AIR SUSPENSION 370 RIDE HEIGHT M24  
 GENERAL ARRANGEMENT  
 TMC LM Xp AIR SUSPENSION

DRG No 664370

ISSUE B



TOP VIEW



VIEWING PASSENGER'S SIDE

JOB NUMBER -070-0001 <small>TO BE ENTERED ON TIME CARD</small>	ALLOC. HOURS	COMPLETED BY	CHECKED BY	DATE	WEIGHT : 15976.003Kg	MATERIAL:	SHEET 3 of 6
FABRICATION TOLERANCES		Copyright (c) The Dorney Group 2007 All rights reserved. The information in this document is subject to terms and conditions of agreement or contract under which the document was supplied for recipient's organisation. No information in this document or part of this document shall be: (1) disclosed outside recipient's own organisation (2) reproduced or transmitted in any way or stored in any retrieval system without prior written consent of Lusty Low Loaders 2007 Pty. Ltd.			INITIALS DRAWN R Gumey	DATE 01.06.09	CLIENT : AMW
DIMENSION		TOLERANCE		CKD	SJF	03.06.09	DESCRIPTION : LUSTY LOW LOADER
0-90 mm - 150 mm		±1.0 mm		APP'D	-	-	DESCRIPTION : 4 x 4 SUSPENSION WIDENER
150 mm - 10 m		±2.0 mm		SCALE : 1:30		PART NUMBER:	A1
10 m. and OVER		±3.0 mm		SOLIDTECH ENGINEERING SERVICES PTY LTD P 161 7 4659 9750 F 61 7 4659 9751 www.solidtech.com.au		-070-0001	A-2





## Specification Sheet

Job No:	LL093	
Order No:	59779	
VIN No:	6B9KT8AL6BTAT7647	
Order Date:	18/05/2011	
Deposit Received:		
Delivery Date:	27/07/2011	
Version:	1	
Customer Approval:		

Low Loader 4 x 4 Suspension Widener

Amendments

QC

**Gooseneck**

Type	Double Pin	1270mm	
Kingpin Type Front	Drop In		
Kingpin Type Rear (if applicable)	Drop In		
Size	90mm		
Oscillating Plate	Double		
Turntable Height mm			
Folding Gooseneck	No		
Tie Down Lugs	Yes		
Qty.	2		
Capacity	5 Tonne		

**Chassis**

Drop Bed	No		
Extending Chassis	No		

**Decks**

Deck Length mm	12500mm		
Deck Height mm	980		
Tie Downs	Yes		
Type	Std		
Position	Side & Top		
Lip on Deck	Yes		
Drop Bed	No		
Water Tank	Yes		
Position	Gooseneck		
Tool Box	Yes		
Position	Front		
Twistlocks	No		
Position			
3 Step Ladder	No		
Ramps to Top Deck	No		
Type			
Locking Station	No		
Qty.			
Standard Deck Widener	No		
Width			
Suspension Widening	Yes		
Width	3.7m		
Specify Extra Width			
Split Decks	No		
Timber In decks	No		

**Customer Details** Carr Civil

**Contact Name** Wayne Bone

**Address** PO Box 1025  
KARRATHA WA

**Phone Number** \_\_\_\_\_

**CUSTOMER NAME:** \_\_\_\_\_

**CUSTOMER SIGNATURE:** \_\_\_\_\_

**DATE:** \_\_\_\_\_



**Ramps**

Type	Standard Hydraulic	
Grip Lugs	Standard 300mm apart	
	Specify if Other	
Width of Ramp	850mm	
	Specify if Other	2850mm Long

**Axles**

Brand Name	TMC	
Qty. of Axles	Quad	
Axle Spacing	4900mm	
Extending Quad	No	
Size of axle	19.5"	
Axle Model		
Drum / Disc Brake axle	Disc Brake	
Stud Pattern	8/275	
Steer axle	No	
Lift axle	Rear Axle Only	

**Tyre**

Brand Name	Double Coin	
Size	265/70R * 19.5"	
Quantity	18	

**Rim**

Brand Name	Any	
Size	7.5 * 19.5"	
Material	Steel	

**Suspension**

Type	Hydraulic	
Ride Height mm	Overslung	
Brand Name	LUSTY	
Model No.		
Raise / Lower Valve	No	

**Brakes**

Brand Name	Air Brake	
Model No.	ABC04B	
Variant		
Air Connection	Bayonet	
Remote positioned airtank?	Yes	
Extra airtanks?		
Coupling Location	Front	
Yard Release Kit		
Brake Settings:		
Axle 1 :		
Axle 2 :		
Axle 3 :		
Axle 4 :		

**Hydraulics**

Supply	Powerpack	
Diverter Valve Fitted	No	
Connection Type		
Coupling Location	Front	
Operating Controls Location	In Box	
Powerpack Controls	Diesel	
Size of Powerpack	9 HP	

CUSTOMER NAME: \_\_\_\_\_  
 CUSTOMER SIGNATURE: \_\_\_\_\_  
 DATE: \_\_\_\_\_





**Hydraulic Cylinders**

Deck Widener	No		
Split Deck Widener	No		
Ramps	(3" * 16") * 2 = 2	Cylinders Total	
Double Fold Ramps			
Hydraulic Landing Legs	No		
Extending Quad			
Suspension Widening	(5" * 24") * 4 = 4	Cylinders Total	

**Electrics**

Voltage	12 V		
ABS	No		
Qty. of axles with ABS			
Revolving Light	Yes		
Position	Ramp		
Reversing Buzzer	Yes		
Work Light	No		
Position			
Plug Location	Front		
Specify If Other			

**Signs**

Oversize	Yes		
Cat 33 Rear Markers	Yes		
DNOTV Sign	Yes		
Chevron Signs	Yes		

**Paint**

General Colour	Chassis	Red	
Ramps		White	
Rims		Silver	
Other	Coamings	White	
Signwriting			
	Gooseneck	Red	

**Winch**

	No		
Size			
Winch Remote Control			
Location			

**Gates**

Notes	No		
-------	----	--	--

**Spare Tyre**

	Yes		
Spare Tyre Location	Gooseneck		
Quantity	2		

**Landing legs**

Type	Drop & Pin		
------	------------	--	--

**Mudguards / Mudflaps**

Position	Front & Rear		
Quantity	8		

**Flag Holders**

	Yes		
Qty.	4		
Position			

**Estimated Tare Weight**

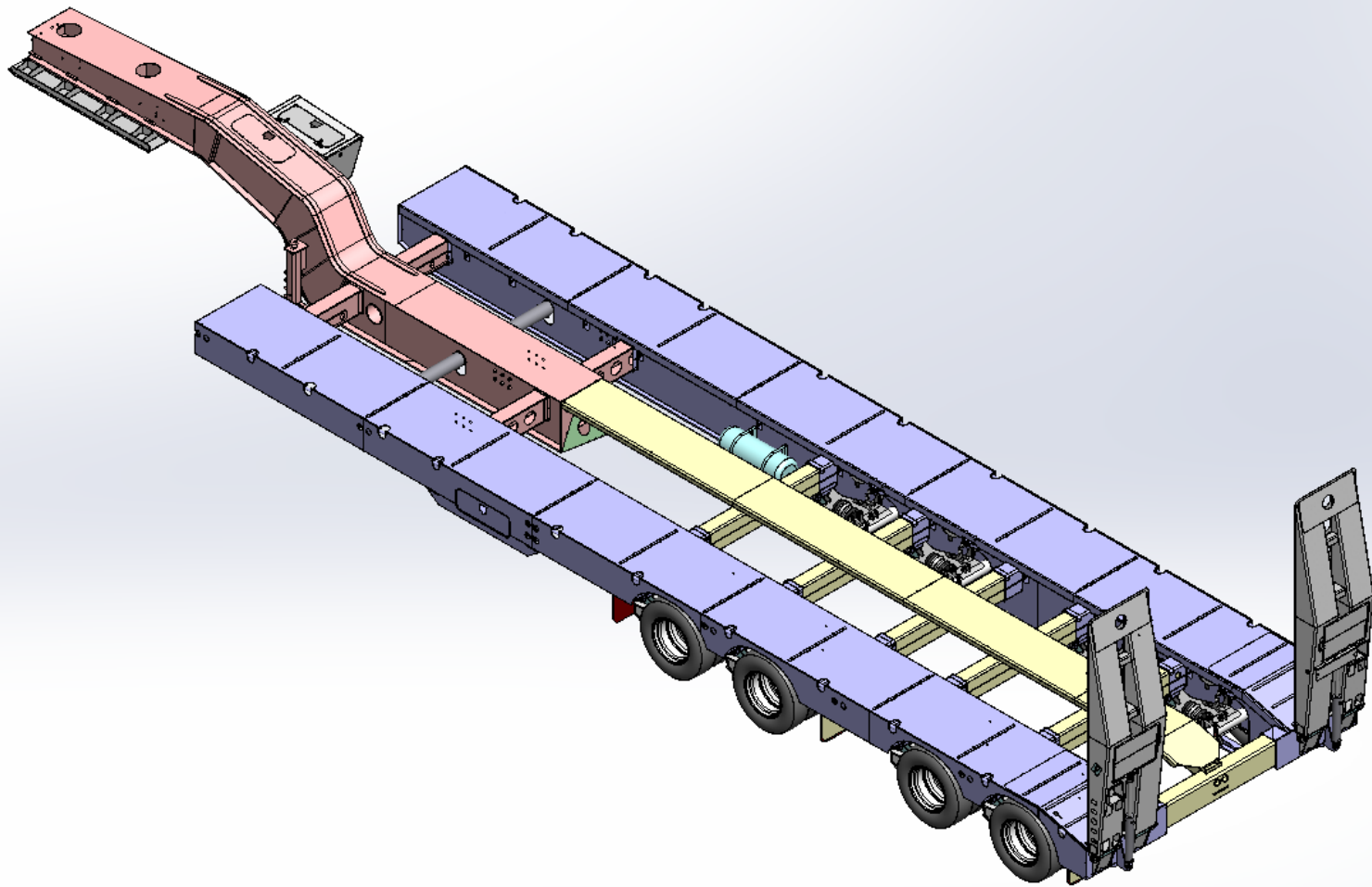
	13500	kg	
--	-------	----	--

**Extras**

* Auto Greasing System Fitted	
r	
*	
*	
*	

**Price**

CUSTOMER NAME: \_\_\_\_\_  
 CUSTOMER SIGNATURE: \_\_\_\_\_  
 DATE: \_\_\_\_\_



Isometric