

**2011 Caterpillar R2900G 100-LD-018**



<b>Make</b>	Caterpillar		<b>Model</b>	R2900G		
<b>Year</b>	2011	<b>Hours</b>	17637		As at	01/09/2019
<b>Mileage</b>				km	As at	
<b>Serial/VIN</b>	CATR2900AJLK00999			<b>Engine Serial</b>		
<b>Details</b>	<p>2011 Caterpillar R2900G asset # 100-LD-018                  This Caterpillar R2900G Scooptram Bogger has 17,700 frame hours and has done 5,000 hours since rebuild in 2017 by Site Personnel with a budget spend at that time of around \$800 K.                  Scope of work, Budget cost and Work orders report for this Caterpillar R2900G Underground Wheel Loader can be found in the GES Equipment Report PDF on the auction page for this asset.</p> <p>Offered for sale via online auction on an As IS basis running to drive on to buyers ex site Cobar, NSW. Australia.</p>					
<b>Asking price</b>	AUD	Under review - call for pricing				
<b>Ex site</b>	Australia, New South Wales, Cobar					

**Service history**

Rebuilt Q1&2 2017 by site personnel.

**For further details, to make an offer or book an inspection, contact  
Global Equipment Solutions on Office: 08 9201 1142**



















<b>SCOPE OF WORK</b>	<b>100-LD-019 CAT R2900G</b>
<b>Frame &amp; Body</b>	<b>\$143,450</b>
Material Costs	\$64,000
Labour Costs	\$79,450
Other Costs	\$0
<b>Engine, Fuel, Exhaust &amp; Cooling</b>	<b>\$260,000</b>
Material Costs	\$205,000
Labour Costs	\$55,000
Other Costs	\$0
<b>Powertrain &amp; Driveline</b>	<b>\$296,000</b>
Material Costs	\$248,000
Labour Costs	\$48,000
Other Costs	\$0
<b>Hydraulics</b>	<b>\$147,000</b>
Material Costs	\$109,000
Labour Costs	\$38,000
Other Costs	\$0
<b>Electrical &amp; Systems</b>	<b>\$67,000</b>
Material Costs	\$35,000
Labour Costs	\$32,000
Other Costs	\$0
<b>Cabin &amp; Operators Station</b>	<b>\$45,900</b>
Material Costs	\$24,900
Labour Costs	\$21,000
Other Costs	\$0
<b>Fire Suppression</b>	<b>\$12,200</b>
Material Costs	\$8,000
Labour Costs	\$4,200
Other Costs	\$0
<b>Commissioning</b>	<b>\$11,950</b>
Material Costs	\$1,200
Labour Costs	\$10,750
Other Costs	\$0
<b>Other</b>	<b>\$15,000</b>
Material Costs	\$0
Labour Costs	\$0
Other Costs	\$15,000
<b>Warranty</b>	<b>\$0</b>
Material Costs	\$0
Labour Costs	\$0
Other Costs	\$0
<b>Exclusions</b>	
<b>TOTAL</b>	
Material Costs	\$695,100
Labour Costs	\$288,400
Other Costs	\$15,000
<b>GRAND TOTAL</b>	<b>\$998,500</b>

**SCOPE OF WORK**

**100-LD-019** **100-LD-020** **100-LD-021**  
**CAT R2900G** **CAT R2900G** **CAT R2900G**

**Frame & Body**

1. Full strip to bare frame.	X	X	X
2. Blast and repaint, Inspect all welds for cracks. Complete 10% NDT (die penetrant or similar) covering structurally significant areas. Gouge and repair as required. Notify PGM of any extensive work or areas of concern	X	X	X
covering structurally significant areas. Cut out and replace with plate steel as required. Notify PGM of any extensive work or areas of concern	X	X	X
4. Check all bush bores for roundness against OEM specification. If near or exceeding tolerances line bore as required	X	X	X
5. Replace all pins & bushes with new OEM parts	X	X	X
6. Refurbish all covers, guards, walkways and handrails	X	X	X
7. Inspect bucket. Thickness test areas of concern and replace wear plates as required. Complete refurbished and replace teeth with new like-for-like	X	X	X
8. Replace/install all wear strips, larger wings and bumper extensions unless as per original thickness	X	X	X
9. Blast and inspect dog-bone and z-link for cracks and wear. Refurbish and repaint as required	X	X	X

**Material Costs**  
**Labour Costs**

**Engine, Fuel, Exhaust & Cooling**

1. Engine to be replaced with new The existing engine is available to the vendor or the vendor can quote to refurbish if repairable	X	X	X
2. Replace all valving, tanks and circuit components including thermostats, pumps, pipes & retainers with new	X	X	X
3. Replace cooler packs and all associated hoses with new	X	X	X
4. Remove DPF and service. Connect monitoring system and refurbish exhaust system	X	X	X
5. Replace all fuel lines with braided hose as per OEM specification	X	X	X
6. Complete Ventilation Reduction (VR) upgrade as per OEM specification	X	X	X

**Material Costs**  
**Labour Costs**

**Powertrain & Driveline**

1. Rebuild front and rear axles with new OEM parts including latest upgrades of pins and planetaries. Detail inspection and repairs in the rebuild report	X	X	X
2. Refurbish all drive shafts	X	X	X



3. Strip and assess convertor. Refurbish with all new components if suitable. Complete dyno testing. Include details, photos and dyno results in rebuild report	X	X	X
4. Strip and assess transmission. Refurbish with all new components if suitable. Complete dyno testing. Include details, photos and dyno results in rebuild report	X	X	X
5. Remove, inspect and crack test rims. Provide certification Include details and photos in rebuild report	X	X	X
6. Replace all tyres with Bridgestone 295R29 34 STMS TL D2A. The used tyre are available to the vendor or can be sent to the Tyre Doctor (Leeton, NSW) if repairable	X	X	X
<b>Material Costs</b>			
<b>Labour Costs</b>			
<b>Hydraulics</b>			
1. All hydraulic hose's to be replaced with new	X	X	X
2. Replace all valving, tanks and circuit components including pumps, accumulators, pipes & retainers with new	X	X	X
3. Overhaul auto-grease system. Replace hoses, valving and nozzles with new.	X	X	X
4. Strip and assess steering cylinders. Rebuild with all new parts Include details and photos in rebuild report	X	X	X
5. Strip and assess lift & tilt cylinder(s). Rebuild with all new parts Include details and photos in rebuild report	X	X	X
<b>Material Costs</b>			
<b>Labour Costs</b>			
<b>Electrical &amp; Systems</b>			
1. All wiring harnesses, solenoids, switches and sensors to be replaced with new, routed and secured neatly. Do NOT painted	X	X	X
2. VIMS to be configured and tested to ensure it is operational	X	X	X
3. Replace all lighting with new like-for-like	X	X	X
4. Refurbish remote control systems. RCT to test & commission	X	X	X
<b>Material Costs</b>			
<b>Labour Costs</b>			
<b>Cabin &amp; Operators Station</b>			
1. Strip and refurbish cabin	X	X	X
2. Replace the seat with new like-for-like	X	X	X
<b>Material Costs</b>			
<b>Labour Costs</b>			
<b>Fire Suppression</b>			
1. Refurbish fire system. Replace all hoses and nozzles with new OEM parts Supply test certificate	X	X	X
<b>Material Costs</b>			
<b>Labour Costs</b>			
<b>Commissioning</b>			

1. The machine is to be fully functionally tested with load for no less than 20hrs	X	X	X
2. The vendor is to factor in 5 days into their schedule near completion whereby PGM technicians will be on premises to conduct testing & commissioning activities. A checklist will be provided prior to the rebuild commencing. It is expected that vendor personnel and equipment is on-hand for assistance	X	X	X
3. The vendor is expected to provide a technician for no less than 4 weeks to complete any onsite commissioning and troubleshoot any issues	X	X	X
4. The Vendor is to supply all commissioning documents and pressure testing certification which must be approved by PGM prior to delivery	X	X	X
<b>Material Costs</b>			
<b>Labour Costs</b>			
<b>Other</b>			
1. Freight to and from PGM to vendors facility	X	X	X
2. All freight of parts and components	X	X	X
3. All project management and supervisor including preparation of the rebuild report	X	X	X
<b>Costs</b>			
<b>Warranty</b>			
1. 12 month/5,000hrs powertrain	X	X	X
2. 6 month hydraulic components and hosing	X	X	X
<b>Cost</b>			
<b>Exclusions</b>			
NIL			
<b>General Notes</b>			
1. All major components to be replaced or rebuild using genuine OEM parts only			
2. Unit to be supplied compliant to MDG 15			
3. The vendor is to provide an update on progress and expected completion date every week at a minimum this scope. This will be discussed between the two parties to determine the course of action and subsequent variations			
5. It is expected that this scope including all commissioning requirements can be completed within 12 weeks.			
<b>Total Material Costs</b>			
<b>Total Labour Costs</b>			
<b>Total Other</b>			
<b>Grand Total</b>			



<b>Equipment</b>	<b>Description</b>	<b>Actual Start Date</b>	<b>Operation Text</b>	<b>Actual Finish Date</b>
100-LD-018	R2900/G LOADER DAILY SERVICE	20180829	CAT R2900G DAILY SERVICE TUESDAY	0
100-LD-018	R2900/G LOADER DAILY SERVICE	20180829	CAT R2900G DAILY SERVICE WEDNESDAY	20180830
100-LD-018	R2900/G LOADER DAILY SERVICE	20180829	CAT R2900G DAILY SERVICE MONDAY	0
100-LD-018	R2900/G LOADER DAILY SERVICE	20180829	CAT R2900G DAILY SERVICE FRIDAY	0
100-LD-018	R2900/G LOADER DAILY SERVICE	20180829	CAT R2900G DAILY SERVICE SATURDAY	0
100-LD-018	R2900/G LOADER DAILY SERVICE	20180829	CAT R2900G DAILY SERVICE SUNDAY	0
100-LD-018	R2900/G LOADER DAILY SERVICE	20180829	CAT R2900G DAILY SERVICE THURSDAY	20180831
100-LD-018	R2900/G LOADER DAILY SERVICE	20180823	CAT R2900G DAILY SERVICE FRIDAY	20180828
100-LD-018	R2900/G LOADER DAILY SERVICE	20180823	CAT R2900G DAILY SERVICE SATURDAY	20180825
100-LD-018	R2900/G LOADER DAILY SERVICE	20180823	CAT R2900G DAILY SERVICE THURSDAY	20180824
100-LD-018	R2900/G LOADER DAILY SERVICE	20180823	CAT R2900G DAILY SERVICE SUNDAY	20180828
100-LD-018	R2900/G LOADER DAILY SERVICE	20180823	CAT R2900G DAILY SERVICE TUESDAY	0
100-LD-018	R2900/G LOADER DAILY SERVICE	20180823	CAT R2900G DAILY SERVICE WEDNESDAY	0
100-LD-018	R2900/G LOADER DAILY SERVICE	20180823	CAT R2900G DAILY SERVICE MONDAY	20180828
100-LD-018-STR	SMASHED DOOR WINDOW	20180823	SMASHED DOOR WINDOW	20180823
100-LD-018-STR	SMASHED BOOM LIGHTS	20180823	SMASHED BOOM LIGHTS	20180823
100-LD-018	250HR CAT LOADER SERVICE	20180822	250HR R2900G MECH SERVICE	20180823
100-LD-018-ELC	Boom Lights Not Working	20180822	Boom Lights Not Working	20180822
100-LD-018-STR	REPAIR / REPLACE HANDRAILS	20180822	REPAIR / REPLACE HANDRAILS	20180828
100-LD-018	flat pos 1	20180821	flat pos 1	20180821
100-LD-018-HYD	diagnose slow steering complaint	20180819	diagnose slow steering complaint	20180828
100-LD-018-HYD	LOWER ARTIC BOLTS	20180816	LOWER ARTIC BOLTS	20180816
100-LD-018	R2900/G LOADER DAILY SERVICE	20180815	CAT R2900G DAILY SERVICE FRIDAY	20180818
100-LD-018	R2900/G LOADER DAILY SERVICE	20180815	CAT R2900G DAILY SERVICE SATURDAY	20180819
100-LD-018	R2900/G LOADER DAILY SERVICE	20180815	CAT R2900G DAILY SERVICE SUNDAY	20180820
100-LD-018	R2900/G LOADER DAILY SERVICE	20180815	CAT R2900G DAILY SERVICE TUESDAY	20180822
100-LD-018	R2900/G LOADER DAILY SERVICE	20180815	CAT R2900G DAILY SERVICE THURSDAY	20180817
100-LD-018	R2900/G LOADER DAILY SERVICE	20180815	CAT R2900G DAILY SERVICE MONDAY	20180821
100-LD-018	R2900/G LOADER DAILY SERVICE	20180815	CAT R2900G DAILY SERVICE WEDNESDAY	20180816
100-LD-018	R2900/G LOADER DAILY SERVICE	20180809	CAT R2900G DAILY SERVICE WEDNESDAY	0
100-LD-018	R2900/G LOADER DAILY SERVICE	20180809	CAT R2900G DAILY SERVICE THURSDAY	20180810
100-LD-018	R2900/G LOADER DAILY SERVICE	20180809	CAT R2900G DAILY SERVICE MONDAY	20180814
100-LD-018	R2900/G LOADER DAILY SERVICE	20180809	CAT R2900G DAILY SERVICE FRIDAY	20180811
100-LD-018	R2900/G LOADER DAILY SERVICE	20180809	CAT R2900G DAILY SERVICE SATURDAY	20180812
100-LD-018	R2900/G LOADER DAILY SERVICE	20180809	CAT R2900G DAILY SERVICE SUNDAY	20180813
100-LD-018	R2900/G LOADER DAILY SERVICE	20180809	CAT R2900G DAILY SERVICE TUESDAY	20180815
100-LD-018-DRV	pos 3 wheel end u/s recover to w/shop	20180805	pos 3 wheel end u/s recover to w/shop	20180808
100-LD-018	R2900/G LOADER DAILY SERVICE	20180801	CAT R2900G DAILY SERVICE SATURDAY	0
100-LD-018	R2900/G LOADER DAILY SERVICE	20180801	CAT R2900G DAILY SERVICE SUNDAY	0
100-LD-018	R2900/G LOADER DAILY SERVICE	20180801	CAT R2900G DAILY SERVICE THURSDAY	20180804
100-LD-018	R2900/G LOADER DAILY SERVICE	20180801	CAT R2900G DAILY SERVICE WEDNESDAY	20180804
100-LD-018	R2900/G LOADER DAILY SERVICE	20180801	CAT R2900G DAILY SERVICE TUESDAY	0
100-LD-018	R2900/G LOADER DAILY SERVICE	20180801	CAT R2900G DAILY SERVICE FRIDAY	20180804
100-LD-018	R2900/G LOADER DAILY SERVICE	20180801	CAT R2900G DAILY SERVICE MONDAY	0
100-LD-018-HYD	REPLACE DAMAGED SHORT STICK	20180730	REPLACE DAMAGED SHORT STICK	20180801
100-LD-018-HYD	REPLACE DAMAGED HOCKEY STICK	20180730	REPLACE DAMAGED HOCKEY STICK	20180801
100-LD-018	replace camera and add transmitter	20180727	replace camera and add transmitter	20180727
100-LD-018	R2900/G LOADER DAILY SERVICE	20180725	CAT R2900G DAILY SERVICE TUESDAY	0
100-LD-018	R2900/G LOADER DAILY SERVICE	20180725	CAT R2900G DAILY SERVICE SUNDAY	20180802
100-LD-018	R2900/G LOADER DAILY SERVICE	20180725	CAT R2900G DAILY SERVICE MONDAY	20180802
100-LD-018	R2900/G LOADER DAILY SERVICE	20180725	CAT R2900G DAILY SERVICE FRIDAY	20180728
100-LD-018	R2900/G LOADER DAILY SERVICE	20180725	CAT R2900G DAILY SERVICE WEDNESDAY	20180726
100-LD-018	R2900/G LOADER DAILY SERVICE	20180725	CAT R2900G DAILY SERVICE SATURDAY	20180802
100-LD-018	R2900/G LOADER DAILY SERVICE	20180725	CAT R2900G DAILY SERVICE THURSDAY	20180727
100-LD-018	500HR CAT LOADER SERVICE	20180723	500HR CAT R2900G MECH SERVICE	20180815
100-LD-018-ENG	exhaust leak	20180719	exhaust leak	20180719
100-LD-018-ENG	Alternator light on	20180719	Alternator light on	20180719
100-LD-018	R2900/G LOADER DAILY SERVICE	20180718	CAT R2900G DAILY SERVICE FRIDAY	20180721
100-LD-018	R2900/G LOADER DAILY SERVICE	20180718	CAT R2900G DAILY SERVICE SATURDAY	20180722
100-LD-018	R2900/G LOADER DAILY SERVICE	20180718	CAT R2900G DAILY SERVICE MONDAY	0
100-LD-018	R2900/G LOADER DAILY SERVICE	20180718	CAT R2900G DAILY SERVICE WEDNESDAY	20180719
100-LD-018	R2900/G LOADER DAILY SERVICE	20180718	CAT R2900G DAILY SERVICE TUESDAY	20180725
100-LD-018	R2900/G LOADER DAILY SERVICE	20180718	CAT R2900G DAILY SERVICE SUNDAY	20180723
100-LD-018	R2900/G LOADER DAILY SERVICE	20180718	CAT R2900G DAILY SERVICE THURSDAY	20180720
100-LD-018-STR	Dog Bone Bolt Loose	20180718	Dog Bone Bolt Loose	20180718
100-LD-018	camera not working	20180712	camera not working	20180712

100-LD-018	R2900/G LOADER DAILY SERVICE	20180711 CAT R2900G DAILY SERVICE FRIDAY	20180714
100-LD-018	R2900/G LOADER DAILY SERVICE	20180711 CAT R2900G DAILY SERVICE SATURDAY	20180715
100-LD-018	R2900/G LOADER DAILY SERVICE	20180711 CAT R2900G DAILY SERVICE TUESDAY	20180718
100-LD-018	R2900/G LOADER DAILY SERVICE	20180711 CAT R2900G DAILY SERVICE SUNDAY	20180716
100-LD-018	R2900/G LOADER DAILY SERVICE	20180711 CAT R2900G DAILY SERVICE MONDAY	20180717
100-LD-018	R2900/G LOADER DAILY SERVICE	20180711 CAT R2900G DAILY SERVICE WEDNESDAY	20180712
100-LD-018	R2900/G LOADER DAILY SERVICE	20180711 CAT R2900G DAILY SERVICE THURSDAY	20180713
100-LD-018-DRV	flat pos 2	20180711 flat pos 2	20180711
100-LD-018-DRV	FLAT TYRE	20180706 FLAT TYRE	20180706
100-LD-018-HYD	fix oil leak	20180705 fix oil leak	20180706
100-LD-018	R2900/G LOADER DAILY SERVICE	20180704 CAT R2900G DAILY SERVICE SUNDAY	20180711
100-LD-018	R2900/G LOADER DAILY SERVICE	20180704 CAT R2900G DAILY SERVICE TUESDAY	20180711
100-LD-018	R2900/G LOADER DAILY SERVICE	20180704 CAT R2900G DAILY SERVICE WEDNESDAY	20180705
100-LD-018	R2900/G LOADER DAILY SERVICE	20180704 CAT R2900G DAILY SERVICE FRIDAY	20180711
100-LD-018	R2900/G LOADER DAILY SERVICE	20180704 CAT R2900G DAILY SERVICE MONDAY	20180711
100-LD-018	R2900/G LOADER DAILY SERVICE	20180704 CAT R2900G DAILY SERVICE SATURDAY	0
100-LD-018	R2900/G LOADER DAILY SERVICE	20180704 CAT R2900G DAILY SERVICE THURSDAY	20180711
100-LD-018-HYD	ROCK DAMAGED GREASE LINE	20180702 ROCK DAMAGED GREASE LINE	20180702
100-LD-018	R2900/G LOADER DAILY SERVICE	20180627 CAT R2900G DAILY SERVICE TUESDAY	20180704
100-LD-018	R2900/G LOADER DAILY SERVICE	20180627 CAT R2900G DAILY SERVICE SUNDAY	20180702
100-LD-018	R2900/G LOADER DAILY SERVICE	20180627 CAT R2900G DAILY SERVICE THURSDAY	20180629
100-LD-018	R2900/G LOADER DAILY SERVICE	20180627 CAT R2900G DAILY SERVICE WEDNESDAY	20180628
100-LD-018	R2900/G LOADER DAILY SERVICE	20180627 CAT R2900G DAILY SERVICE FRIDAY	20180629
100-LD-018	R2900/G LOADER DAILY SERVICE	20180627 CAT R2900G DAILY SERVICE SATURDAY	20180702
100-LD-018	R2900/G LOADER DAILY SERVICE	20180627 CAT R2900G DAILY SERVICE MONDAY	20180703
100-LD-018	high speed shaft	20180626 high speed shaft	20180626
100-LD-018-DRV	high speed shaft broken	20180626 high speed shaft broken	20180626
100-LD-018	R2900/G LOADER DAILY SERVICE	20180620 CAT R2900G DAILY SERVICE THURSDAY	0
100-LD-018	R2900/G LOADER DAILY SERVICE	20180620 CAT R2900G DAILY SERVICE FRIDAY	0
100-LD-018	R2900/G LOADER DAILY SERVICE	20180620 CAT R2900G DAILY SERVICE MONDAY	20180626
100-LD-018	R2900/G LOADER DAILY SERVICE	20180620 CAT R2900G DAILY SERVICE WEDNESDAY	20180621
100-LD-018	R2900/G LOADER DAILY SERVICE	20180620 CAT R2900G DAILY SERVICE TUESDAY	20180627
100-LD-018	R2900/G LOADER DAILY SERVICE	20180620 CAT R2900G DAILY SERVICE SATURDAY	0
100-LD-018	R2900/G LOADER DAILY SERVICE	20180620 CAT R2900G DAILY SERVICE SUNDAY	20180625
100-LD-018	500HR CAT R2900G EMISSIONS TESTING	20180619 500HR CAT R2900G EMISSIONS TESTING	20180703
100-LD-018	250HR CAT LOADER SERVICE	20180619 250HR R2900G MECH SERVICE	20180703
100-LD-018-STR	REPLACE WHEEL CHOCK BRACKET	20180619 REPLACE WHEEL CHOCK BRACKET	20180619
100-LD-018-STR	REPLACE FIRE EXTINGUISHER BRACKET	20180619 REPLACE FIRE EXTINGUISHER BRACKET	20180619
100-LD-018	R2900/G LOADER DAILY SERVICE	20180613 CAT R2900G DAILY SERVICE THURSDAY	0
100-LD-018	R2900/G LOADER DAILY SERVICE	20180613 CAT R2900G DAILY SERVICE FRIDAY	20180614
100-LD-018	R2900/G LOADER DAILY SERVICE	20180613 CAT R2900G DAILY SERVICE SATURDAY	0
100-LD-018	R2900/G LOADER DAILY SERVICE	20180613 CAT R2900G DAILY SERVICE MONDAY	0
100-LD-018	R2900/G LOADER DAILY SERVICE	20180613 CAT R2900G DAILY SERVICE WEDNESDAY	20180613
100-LD-018	R2900/G LOADER DAILY SERVICE	20180613 CAT R2900G DAILY SERVICE TUESDAY	0
100-LD-018	R2900/G LOADER DAILY SERVICE	20180613 CAT R2900G DAILY SERVICE SUNDAY	0
100-LD-018	R2900/G LOADER DAILY SERVICE	20180604 CAT R2900G DAILY SERVICE TUESDAY	0
100-LD-018	R2900/G LOADER DAILY SERVICE	20180604 CAT R2900G DAILY SERVICE FRIDAY	20180609
100-LD-018	R2900/G LOADER DAILY SERVICE	20180604 CAT R2900G DAILY SERVICE SATURDAY	20180610
100-LD-018	R2900/G LOADER DAILY SERVICE	20180604 CAT R2900G DAILY SERVICE MONDAY	0
100-LD-018	R2900/G LOADER DAILY SERVICE	20180604 CAT R2900G DAILY SERVICE WEDNESDAY	20180608
100-LD-018	R2900/G LOADER DAILY SERVICE	20180604 CAT R2900G DAILY SERVICE THURSDAY	20180607
100-LD-018	R2900/G LOADER DAILY SERVICE	20180604 CAT R2900G DAILY SERVICE SUNDAY	20180611
100-LD-018-STR	GREASE UNIT NOT WORKING	20180604 GREASE UNIT NOT WORKING	20180604
100-LD-018-STR	REPAIR BROKEN FITTING IN R/H/S LIFT/LIVE	20180603 REPAIR BROKEN FITTING IN R/H/S LIFT/LIVE	20180603
100-LD-018-STR	R&R faulty grease pump	20180603 R&R faulty grease pump	20180603
100-LD-018	R2900/G LOADER DAILY SERVICE	20180530 CAT R2900G DAILY SERVICE WEDNESDAY	20180605
100-LD-018	R2900/G LOADER DAILY SERVICE	20180530 CAT R2900G DAILY SERVICE TUESDAY	0
100-LD-018	R2900/G LOADER DAILY SERVICE	20180530 CAT R2900G DAILY SERVICE FRIDAY	20180602
100-LD-018	R2900/G LOADER DAILY SERVICE	20180530 CAT R2900G DAILY SERVICE SATURDAY	20180603
100-LD-018	R2900/G LOADER DAILY SERVICE	20180530 CAT R2900G DAILY SERVICE MONDAY	0
100-LD-018	R2900/G LOADER DAILY SERVICE	20180530 CAT R2900G DAILY SERVICE THURSDAY	0
100-LD-018	R2900/G LOADER DAILY SERVICE	20180530 CAT R2900G DAILY SERVICE SUNDAY	20180604
100-LD-018-HYD	retorque lift cylinder pins	20180512 retorque lift cylinder pins	20180513
100-LD-018-STR	replace missing corner tooth	20180512 replace missing corner tooth	20180513
100-LD-018-ELC	CLEAN OUT A/C UNIT INSIDE CABIN	20180511 CLEAN OUT A/C UNIT INSIDE CABIN	20180518
100-LD-018-HYD	retorque lift cylinder pins	20180511 retorque lift cylinder pins	20180512
100-LD-018-HYD	Left hand lift cylinder leaking	20180511 Left hand lift cylinder leaking	20180514
100-LD-018-HYD	Left hand lift cylinder leaking	20180511 PJJ - INSTALL BUCKET STOPS LD-18 - 24695	20180830
100-LD-018	R2900/G LOADER DAILY SERVICE	20180509 CAT R2900G DAILY SERVICE THURSDAY	20180512



100-LD-018	R2900/G LOADER DAILY SERVICE	20180509 CAT R2900G DAILY SERVICE FRIDAY	20180513
100-LD-018	R2900/G LOADER DAILY SERVICE	20180509 CAT R2900G DAILY SERVICE MONDAY	0
100-LD-018	R2900/G LOADER DAILY SERVICE	20180509 CAT R2900G DAILY SERVICE WEDNESDAY	20180515
100-LD-018	R2900/G LOADER DAILY SERVICE	20180509 CAT R2900G DAILY SERVICE TUESDAY	0
100-LD-018	R2900/G LOADER DAILY SERVICE	20180509 CAT R2900G DAILY SERVICE SATURDAY	20180513
100-LD-018	R2900/G LOADER DAILY SERVICE	20180509 CAT R2900G DAILY SERVICE SUNDAY	0
100-LD-018-HYD	LIFT CYLINDER LEAKING	20180508 REPLACE R/H LIFT CYLINDER	20180518
100-LD-018-HYD	LIFT CYLINDER LEAKING	20180508 REPLACE L/H LIFT CYLINDER	20180518
100-LD-018-STR	REPLACE MISSING HAND RAILS	20180508 REPLACE HAND RAILS	20180508
100-LD-018	R2900/G LOADER DAILY SERVICE	20180502 CAT R2900G DAILY SERVICE TUESDAY	20180509
100-LD-018	R2900/G LOADER DAILY SERVICE	20180502 CAT R2900G DAILY SERVICE WEDNESDAY	20180504
100-LD-018	R2900/G LOADER DAILY SERVICE	20180502 CAT R2900G DAILY SERVICE THURSDAY	20180504
100-LD-018	R2900/G LOADER DAILY SERVICE	20180502 CAT R2900G DAILY SERVICE MONDAY	0
100-LD-018	R2900/G LOADER DAILY SERVICE	20180502 CAT R2900G DAILY SERVICE FRIDAY	20180505
100-LD-018	R2900/G LOADER DAILY SERVICE	20180502 CAT R2900G DAILY SERVICE SATURDAY	0
100-LD-018	R2900/G LOADER DAILY SERVICE	20180502 CAT R2900G DAILY SERVICE SUNDAY	20180507
100-LD-018	2000HR CAT LOADER SERVICE	20180427 2000HR CAT R2900G MECH SERVICE	20180507
100-LD-018-ELC	Replace u/s Cab Fan	20180426 Replace u/s Cab Fan	20180426
100-LD-018	R2900/G LOADER DAILY SERVICE	20180425 CAT R2900G DAILY SERVICE TUESDAY	20180502
100-LD-018	R2900/G LOADER DAILY SERVICE	20180425 CAT R2900G DAILY SERVICE WEDNESDAY	20180426
100-LD-018	R2900/G LOADER DAILY SERVICE	20180425 CAT R2900G DAILY SERVICE FRIDAY	0
100-LD-018	R2900/G LOADER DAILY SERVICE	20180425 CAT R2900G DAILY SERVICE SATURDAY	20180429
100-LD-018	R2900/G LOADER DAILY SERVICE	20180425 CAT R2900G DAILY SERVICE MONDAY	20180501
100-LD-018	R2900/G LOADER DAILY SERVICE	20180425 CAT R2900G DAILY SERVICE THURSDAY	20180427
100-LD-018	R2900/G LOADER DAILY SERVICE	20180425 CAT R2900G DAILY SERVICE SUNDAY	20180430
100-LD-018-STR	LOOSE BUCKET TEETH	20180424 LOOSE BUCKET TEETH	20180424
100-LD-018	bucket mods	20180420 bucket mods	20180420
100-LD-018	R2900/G LOADER DAILY SERVICE	20180418 CAT R2900G DAILY SERVICE MONDAY	0
100-LD-018	R2900/G LOADER DAILY SERVICE	20180418 CAT R2900G DAILY SERVICE FRIDAY	20180507
100-LD-018	R2900/G LOADER DAILY SERVICE	20180418 CAT R2900G DAILY SERVICE TUESDAY	20180507
100-LD-018	R2900/G LOADER DAILY SERVICE	20180418 CAT R2900G DAILY SERVICE WEDNESDAY	20180418
100-LD-018	R2900/G LOADER DAILY SERVICE	20180418 CAT R2900G DAILY SERVICE SATURDAY	20180507
100-LD-018	R2900/G LOADER DAILY SERVICE	20180418 CAT R2900G DAILY SERVICE SUNDAY	20180507
100-LD-018	R2900/G LOADER DAILY SERVICE	20180418 CAT R2900G DAILY SERVICE THURSDAY	20180507
100-LD-018	Replace damaged 2way antenna	20180417 Replace damaged 2way antenna	20180417
100-LD-018-HYD	Parkbrake stuck on	20180412 Parkbrake stuck on	20180412
100-LD-018	R2900/G LOADER DAILY SERVICE	20180411 CAT R2900G DAILY SERVICE FRIDAY	20180423
100-LD-018	R2900/G LOADER DAILY SERVICE	20180411 CAT R2900G DAILY SERVICE SATURDAY	20180423
100-LD-018	R2900/G LOADER DAILY SERVICE	20180411 CAT R2900G DAILY SERVICE MONDAY	20180423
100-LD-018	R2900/G LOADER DAILY SERVICE	20180411 CAT R2900G DAILY SERVICE WEDNESDAY	20180423
100-LD-018	R2900/G LOADER DAILY SERVICE	20180411 CAT R2900G DAILY SERVICE TUESDAY	20180419
100-LD-018	R2900/G LOADER DAILY SERVICE	20180411 CAT R2900G DAILY SERVICE SUNDAY	20180423
100-LD-018	R2900/G LOADER DAILY SERVICE	20180411 CAT R2900G DAILY SERVICE THURSDAY	20180412
100-LD-018-DRV	a/c not working	20180406 a/c not working	20180406
100-LD-018-STR	REPLACE DOG BONE	20180405 REPLACE DOG BONE	20180515
100-LD-018	R2900/G LOADER DAILY SERVICE	20180404 CAT R2900G DAILY SERVICE THURSDAY	20180405
100-LD-018	R2900/G LOADER DAILY SERVICE	20180404 CAT R2900G DAILY SERVICE FRIDAY	20180407
100-LD-018	R2900/G LOADER DAILY SERVICE	20180404 CAT R2900G DAILY SERVICE MONDAY	20180409
100-LD-018	R2900/G LOADER DAILY SERVICE	20180404 CAT R2900G DAILY SERVICE SATURDAY	20180409
100-LD-018	R2900/G LOADER DAILY SERVICE	20180404 CAT R2900G DAILY SERVICE WEDNESDAY	20180405
100-LD-018	R2900/G LOADER DAILY SERVICE	20180404 CAT R2900G DAILY SERVICE TUESDAY	20180411
100-LD-018	R2900/G LOADER DAILY SERVICE	20180404 CAT R2900G DAILY SERVICE SUNDAY	20180409
100-LD-018-HYD	blown o-ring	20180401 blown o-ring	20180401
100-LD-018	R2900/G LOADER DAILY SERVICE	20180330 CAT R2900G DAILY SERVICE MONDAY	20180403
100-LD-018	R2900/G LOADER DAILY SERVICE	20180330 CAT R2900G DAILY SERVICE THURSDAY	0
100-LD-018	R2900/G LOADER DAILY SERVICE	20180330 CAT R2900G DAILY SERVICE WEDNESDAY	0
100-LD-018	R2900/G LOADER DAILY SERVICE	20180330 CAT R2900G DAILY SERVICE SUNDAY	20180402
100-LD-018	R2900/G LOADER DAILY SERVICE	20180330 CAT R2900G DAILY SERVICE TUESDAY	20180404
100-LD-018	R2900/G LOADER DAILY SERVICE	20180330 CAT R2900G DAILY SERVICE FRIDAY	20180331
100-LD-018	R2900/G LOADER DAILY SERVICE	20180330 CAT R2900G DAILY SERVICE SATURDAY	20180401
100-LD-018	250HR CAT LOADER SERVICE	20180328 250HR R2900G MECH SERVICE	20180329
100-LD-018-STR	REPLACE BUCKET ASSEMBLY	20180328 COBAR CRANES - LOAD & UNLOAD BUCKET	0
100-LD-018-STR	REPLACE BUCKET ASSEMBLY	20180328 REPLACE BUCKET ASSEMBLY	20180605
100-LD-018-STR	REPLACE BUCKET ASSEMBLY	20180328 CES - TRANSPORT R2900G BUCKET TO PGM	0
100-LD-018-STR	REPLACE BUCKET ASSEMBLY	20180328 INSPECT CABIN SEALS	0
100-LD-018-STR	REPLACE BUCKET ASSEMBLY	20180328 PJI - BUCKET REPAIRS NON WARRANTY 24403	0
100-LD-018		6 20180321 CAT R2900G DAILY SERVICE WEDNESDAY	20180322
100-LD-018		6 20180321 CAT R2900G DAILY SERVICE TUESDAY	20180328
100-LD-018		6 20180321 CAT R2900G DAILY SERVICE SATURDAY	20180325

100-LD-018		6	20180321 CAT R2900G DAILY SERVICE FRIDAY	20180325
100-LD-018		6	20180321 CAT R2900G DAILY SERVICE MONDAY	20180327
100-LD-018		6	20180321 CAT R2900G DAILY SERVICE THURSDAY	20180323
100-LD-018	CHANGE INTAKE TEMP SENSOR		20180321 CHANGE INTAKE TEMP SENSOR	20180321
100-LD-018		6	20180321 CAT R2900G DAILY SERVICE SUNDAY	20180326
100-LD-018	replace u/s a/c compressor		20180316 replace u/s a/c compressor	20180317
100-LD-018	R2900/G LOADER DAILY SERVICE		20180314 CAT R2900G DAILY SERVICE SUNDAY	20180319
100-LD-018	R2900/G LOADER DAILY SERVICE		20180314 CAT R2900G DAILY SERVICE TUESDAY	20180321
100-LD-018	R2900/G LOADER DAILY SERVICE		20180314 CAT R2900G DAILY SERVICE WEDNESDAY	20180321
100-LD-018	R2900/G LOADER DAILY SERVICE		20180314 CAT R2900G DAILY SERVICE FRIDAY	20180318
100-LD-018	R2900/G LOADER DAILY SERVICE		20180314 CAT R2900G DAILY SERVICE SATURDAY	20180318
100-LD-018	R2900/G LOADER DAILY SERVICE		20180314 CAT R2900G DAILY SERVICE MONDAY	20180321
100-LD-018	R2900/G LOADER DAILY SERVICE		20180314 CAT R2900G DAILY SERVICE THURSDAY	20180316
100-LD-018	weld G.E.T.		20180312 weld G.E.T.	20180312
100-LD-018-STR	replace rh corner tooth & pos 4 tyre		20180308 replace rh corner tooth & pos 4 tyre	20180308
100-LD-018	R2900/G LOADER DAILY SERVICE		20180307 CAT R2900G DAILY SERVICE WEDNESDAY	20180307
100-LD-018	R2900/G LOADER DAILY SERVICE		20180307 CAT R2900G DAILY SERVICE TUESDAY	20180314
100-LD-018	R2900/G LOADER DAILY SERVICE		20180307 CAT R2900G DAILY SERVICE THURSDAY	20180312
100-LD-018	R2900/G LOADER DAILY SERVICE		20180307 CAT R2900G DAILY SERVICE SATURDAY	20180312
100-LD-018	R2900/G LOADER DAILY SERVICE		20180307 CAT R2900G DAILY SERVICE FRIDAY	20180309
100-LD-018	R2900/G LOADER DAILY SERVICE		20180307 CAT R2900G DAILY SERVICE MONDAY	20180313
100-LD-018	R2900/G LOADER DAILY SERVICE		20180307 CAT R2900G DAILY SERVICE SUNDAY	20180314
100-LD-018	CHECK THAT ALL SEALS, RUBBERS, BOOTS ARE		20180304 CHECK THAT ALL SEALS, RUBBERS, BOOTS ARE	20180504
100-LD-018	500HR CAT LOADER SERVICE		20180303 500HR CAT R2900G MECH SERVICE	20180303
100-LD-018	6 MONTHLY GAS TESTING		20180303 6 MONTHLY GAS TESTING PM2079	20180303
100-LD-018-STR	Damage repairs		20180301 Damage repairs	20180301
100-LD-018	R2900/G LOADER DAILY SERVICE		20180228 CAT R2900G DAILY SERVICE TUESDAY	20180312
100-LD-018	R2900/G LOADER DAILY SERVICE		20180228 CAT R2900G DAILY SERVICE WEDNESDAY	20180301
100-LD-018	R2900/G LOADER DAILY SERVICE		20180228 CAT R2900G DAILY SERVICE FRIDAY	20180304
100-LD-018	R2900/G LOADER DAILY SERVICE		20180228 CAT R2900G DAILY SERVICE MONDAY	20180306
100-LD-018	R2900/G LOADER DAILY SERVICE		20180228 CAT R2900G DAILY SERVICE THURSDAY	20180302
100-LD-018	R2900/G LOADER DAILY SERVICE		20180228 CAT R2900G DAILY SERVICE SATURDAY	0
100-LD-018	R2900/G LOADER DAILY SERVICE		20180228 CAT R2900G DAILY SERVICE SUNDAY	20180305
100-LD-018-DRV	blown tyre pos 1		20180227 blown tyre pos 1	20180227
100-LD-018-ENG	Exhaust Leak		20180225 Exhaust Leak	20180225
100-LD-018-HYD	Ride Control Fitting Leaking		20180223 Ride Control Fitting Leaking	20180223
100-LD-018	R2900/G LOADER DAILY SERVICE		20180221 CAT R2900G DAILY SERVICE FRIDAY	20180224
100-LD-018	R2900/G LOADER DAILY SERVICE		20180221 CAT R2900G DAILY SERVICE SATURDAY	20180225
100-LD-018	R2900/G LOADER DAILY SERVICE		20180221 CAT R2900G DAILY SERVICE MONDAY	20180227
100-LD-018	R2900/G LOADER DAILY SERVICE		20180221 CAT R2900G DAILY SERVICE SUNDAY	20180226
100-LD-018	R2900/G LOADER DAILY SERVICE		20180221 CAT R2900G DAILY SERVICE TUESDAY	20180228
100-LD-018	R2900/G LOADER DAILY SERVICE		20180221 CAT R2900G DAILY SERVICE WEDNESDAY	20180226
100-LD-018	R2900/G LOADER DAILY SERVICE		20180221 CAT R2900G DAILY SERVICE THURSDAY	20180223
100-LD-018-HYD	OIL LEAK		20180216 OIL LEAK	20180216
100-LD-018-ELC	Find remote sticks		20180215 Find remote sticks	20180215
100-LD-018	R2900/G LOADER DAILY SERVICE		20180214 CAT R2900G DAILY SERVICE FRIDAY	20180219
100-LD-018	R2900/G LOADER DAILY SERVICE		20180214 CAT R2900G DAILY SERVICE SATURDAY	20180219
100-LD-018	R2900/G LOADER DAILY SERVICE		20180214 CAT R2900G DAILY SERVICE WEDNESDAY	20180219
100-LD-018	R2900/G LOADER DAILY SERVICE		20180214 CAT R2900G DAILY SERVICE SUNDAY	20180219
100-LD-018	R2900/G LOADER DAILY SERVICE		20180214 CAT R2900G DAILY SERVICE TUESDAY	20180221
100-LD-018	R2900/G LOADER DAILY SERVICE		20180214 CAT R2900G DAILY SERVICE THURSDAY	20180219
100-LD-018	R2900/G LOADER DAILY SERVICE		20180214 CAT R2900G DAILY SERVICE MONDAY	20180220
100-LD-018	500HR CAT R2900G EMISSIONS TESTING		20180209 500HR CAT R2900G EMISSIONS TESTING	20180213
100-LD-018	250HR CAT LOADER SERVICE		20180209 250HR R2900G MECH SERVICE	20180213
100-LD-018-ELC	CABIN LIGHT U/S		20180209 REPLACE CABIN LIGHT	20180213
100-LD-018-ENG	blown turbo gasket		20180209 blown turbo gasket	20180209
100-LD-018-ENG	REPLACE ENGINE OIL COOLER		20180209 REPLACE ENGINE OIL COOLER NOT DONE NOT R	20180213
100-LD-018-STR	BUCKET WORN		20180209 INSPECT BUCKET WEAR & REPORT	20180213
100-LD-018	R2900/G LOADER DAILY SERVICE		20180207 CAT R2900G DAILY SERVICE FRIDAY	20180213
100-LD-018	R2900/G LOADER DAILY SERVICE		20180207 CAT R2900G DAILY SERVICE SATURDAY	20180213
100-LD-018	R2900/G LOADER DAILY SERVICE		20180207 CAT R2900G DAILY SERVICE MONDAY	20180213
100-LD-018	R2900/G LOADER DAILY SERVICE		20180207 CAT R2900G DAILY SERVICE WEDNESDAY	20180213
100-LD-018	R2900/G LOADER DAILY SERVICE		20180207 CAT R2900G DAILY SERVICE TUESDAY	20180213
100-LD-018	R2900/G LOADER DAILY SERVICE		20180207 CAT R2900G DAILY SERVICE THURSDAY	20180213
100-LD-018	R2900/G LOADER DAILY SERVICE		20180207 CAT R2900G DAILY SERVICE SUNDAY	20180213
100-LD-018-ENG	A/C leak		20180206 A/C leak	20180206
100-LD-018	cab handrail		20180205 cab handrail	20180205
100-LD-018-ENG	TURBO LEAK		20180205 TURBO LEAK	20180207
100-LD-018-STR	REPLACE INSERTS IN G.E.T		20180205 PJJ - REPLACE INSERTS IN LD-18 - 23871	20180208



100-LD-018-DRV	change worn out tyres	20180204 change worn out tyres	20180206
100-LD-018-HYD	grease pump u/s	20180203 grease pump u/s	20180204
100-LD-018-ELC	Inspect remote bucket controls	20180202 Inspect remote bucket controls	20180202
100-LD-018	R2900/G LOADER DAILY SERVICE	20180131 CAT R2900G DAILY SERVICE FRIDAY	20180203
100-LD-018	R2900/G LOADER DAILY SERVICE	20180131 CAT R2900G DAILY SERVICE SATURDAY	20180204
100-LD-018	R2900/G LOADER DAILY SERVICE	20180131 CAT R2900G DAILY SERVICE MONDAY	0
100-LD-018	R2900/G LOADER DAILY SERVICE	20180131 CAT R2900G DAILY SERVICE THURSDAY	20180202
100-LD-018	R2900/G LOADER DAILY SERVICE	20180131 CAT R2900G DAILY SERVICE WEDNESDAY	20180209
100-LD-018	R2900/G LOADER DAILY SERVICE	20180131 CAT R2900G DAILY SERVICE TUESDAY	20180206
100-LD-018	R2900/G LOADER DAILY SERVICE	20180131 CAT R2900G DAILY SERVICE SUNDAY	20180204
100-LD-018-HYD	tighten leaking ride control fitting	20180131 tighten leaking ride control fitting	20180131
100-LD-018-STR	replaced missing bucket tooth	20180131 replaced missing bucket tooth	20180131
100-LD-018-HYD	TILT PIPE	20180130 TILT PIPE	20180130
100-LD-018-STR	REPLACE GET	20180129 REPLACE GET	20180130
100-LD-018-HYD	REPLACE TILT HOSES	20180127 REPLACE TILT HOSES	20180209
100-LD-018-STR	Bucket Teeth Missing	20180127 Bucket Teeth Missing	20180130
100-LD-018	Broken Window And fire Ext Bracket	20180126 Broken Window And fire Ext Bracket	20180130
100-LD-018	R2900/G LOADER DAILY SERVICE	20180124 CAT R2900G DAILY SERVICE WEDNESDAY	20180206
100-LD-018	R2900/G LOADER DAILY SERVICE	20180124 CAT R2900G DAILY SERVICE TUESDAY	20180131
100-LD-018	R2900/G LOADER DAILY SERVICE	20180124 CAT R2900G DAILY SERVICE FRIDAY	20180130
100-LD-018	R2900/G LOADER DAILY SERVICE	20180124 CAT R2900G DAILY SERVICE MONDAY	20180130
100-LD-018	R2900/G LOADER DAILY SERVICE	20180124 CAT R2900G DAILY SERVICE THURSDAY	20180130
100-LD-018	R2900/G LOADER DAILY SERVICE	20180124 CAT R2900G DAILY SERVICE SATURDAY	20180130
100-LD-018	R2900/G LOADER DAILY SERVICE	20180124 CAT R2900G DAILY SERVICE SUNDAY	20180129
100-LD-018-STR	broken bolts	20180121 broken bolts	20180121
100-LD-018	R2900/G LOADER DAILY SERVICE	20180117 CAT R2900G DAILY SERVICE WEDNESDAY	20180122
100-LD-018	R2900/G LOADER DAILY SERVICE	20180117 CAT R2900G DAILY SERVICE THURSDAY	0
100-LD-018	R2900/G LOADER DAILY SERVICE	20180117 CAT R2900G DAILY SERVICE SUNDAY	20180122
100-LD-018	R2900/G LOADER DAILY SERVICE	20180117 CAT R2900G DAILY SERVICE TUESDAY	20180124
100-LD-018	R2900/G LOADER DAILY SERVICE	20180117 CAT R2900G DAILY SERVICE FRIDAY	20180120
100-LD-018	R2900/G LOADER DAILY SERVICE	20180117 CAT R2900G DAILY SERVICE SATURDAY	20180121
100-LD-018	R2900/G LOADER DAILY SERVICE	20180117 CAT R2900G DAILY SERVICE MONDAY	20180123
100-LD-018	fab bucket bump stops	20180116 fab bucket bump stops	20180116
100-LD-018	damaged window guard	20180116 damaged window guard	20180116
100-LD-018-HYD	S.O.S RESULT: C SAMPLE FOR HYDRAULICS	20180116 CHECK FILLERS AND SEALS FOR DIRTY ENTRY	20180117
100-LD-018-HYD	S.O.S RESULT: C SAMPLE FOR HYDRAULICS	20180116 RESAMPLE HYDRAULIC OIL	20180117
100-LD-018-HYD	S.O.S RESULT: C SAMPLE FOR HYDRAULICS	20180116 REPORT BACK FINDINGS	20180117
100-LD-018-HYD	S.O.S RESULT: C SAMPLE FOR HYDRAULICS	20180116 CHECK CONTAMINATION CAPTURING DEVICES	20180117
100-LD-018-STR	HEEL SHROUDS U/S	20180116 REPLACE HEEL SHROUDS	20180116
100-LD-018	1000HR CAT LOADER SERVICE	20180113 1000HR CAT R2900G MECH SERVICE	20180117
100-LD-018	1000HR CAT LOADER SERVICE	20180113 CUT OIL FILTER PHOTOGRAPH & REPORT	20180117
100-LD-018-ENG	S.O.S RESULT: C SAMPLE COOLING SYSTEM	20180113 PRESSURE TEST COOLEERS ,SEALS &GASKETS	0
100-LD-018-ENG	S.O.S RESULT: C SAMPLE COOLING SYSTEM	20180113 IF REQUIRED FLUSH THE SYSTEM	20180117
100-LD-018-ENG	S.O.S RESULT: C SAMPLE COOLING SYSTEM	20180113 MONITOR COOLANT AND SUMP LEVELS	20180117
100-LD-018-ENG	S.O.S RESULT: C SAMPLE COOLING SYSTEM	20180113 RESAMPLE COOLANT	20180117
100-LD-018-ENG	S.O.S RESULT: C SAMPLE COOLING SYSTEM	20180113 CONFIRM PRESENCE OF OIL	20180117
100-LD-018	R2900/G LOADER DAILY SERVICE	20180110 CAT R2900G DAILY SERVICE MONDAY	20180116
100-LD-018	R2900/G LOADER DAILY SERVICE	20180110 CAT R2900G DAILY SERVICE FRIDAY	0
100-LD-018	R2900/G LOADER DAILY SERVICE	20180110 CAT R2900G DAILY SERVICE SATURDAY	0
100-LD-018	R2900/G LOADER DAILY SERVICE	20180110 CAT R2900G DAILY SERVICE WEDNESDAY	20180117
100-LD-018	R2900/G LOADER DAILY SERVICE	20180110 CAT R2900G DAILY SERVICE THURSDAY	20180111
100-LD-018	R2900/G LOADER DAILY SERVICE	20180110 CAT R2900G DAILY SERVICE TUESDAY	20180117
100-LD-018	R2900/G LOADER DAILY SERVICE	20180110 CAT R2900G DAILY SERVICE SUNDAY	20180115
100-LD-018-STR	replace corner tooth and fire ex	20180107 replace corner tooth and fire ex	20180107
100-LD-018-DRV	flat pos 1 tyre	20180105 flat pos 1 tyre	20180105
100-LD-018	GREASE UNIT NOT WORKING	20180103 GREASE UNIT NOT WORKING	20180103
100-LD-018	R2900/G LOADER DAILY SERVICE	20180103 CAT R2900G DAILY SERVICE FRIDAY	20180106
100-LD-018	R2900/G LOADER DAILY SERVICE	20180103 CAT R2900G DAILY SERVICE MONDAY	20180108
100-LD-018	R2900/G LOADER DAILY SERVICE	20180103 CAT R2900G DAILY SERVICE WEDNESDAY	20180109
100-LD-018	R2900/G LOADER DAILY SERVICE	20180103 CAT R2900G DAILY SERVICE TUESDAY	20180110
100-LD-018	R2900/G LOADER DAILY SERVICE	20180103 CAT R2900G DAILY SERVICE SATURDAY	20180107
100-LD-018	R2900/G LOADER DAILY SERVICE	20180103 CAT R2900G DAILY SERVICE THURSDAY	20180105
100-LD-018	R2900/G LOADER DAILY SERVICE	20180103 CAT R2900G DAILY SERVICE SUNDAY	20180110
100-LD-018-ENG	ENGINE DERATING INTERMITTANT	20180102 ENGINE DERATING INTERMITTANT	20180104
100-LD-018-DRV	flat pos 4 tyre	20180101 flat pos 4 tyre	20180101
100-LD-018	500HR CAT R2900G EMISSIONS TESTING	20171230 500HR CAT R2900G EMISSIONS TESTING	20180106
100-LD-018	250HR CAT LOADER SERVICE	20171230 250HR R2900G MECH SERVICE	20171230
100-LD-018	R2900/G LOADER DAILY SERVICE	20171227 CAT R2900G DAILY SERVICE WEDNESDAY	20180104
100-LD-018	R2900/G LOADER DAILY SERVICE	20171227 CAT R2900G DAILY SERVICE FRIDAY	20171229

100-LD-018	R2900/G LOADER DAILY SERVICE	20171227 CAT R2900G DAILY SERVICE SATURDAY	20171230
100-LD-018	R2900/G LOADER DAILY SERVICE	20171227 CAT R2900G DAILY SERVICE MONDAY	20180101
100-LD-018	R2900/G LOADER DAILY SERVICE	20171227 CAT R2900G DAILY SERVICE THURSDAY	20171228
100-LD-018	R2900/G LOADER DAILY SERVICE	20171227 CAT R2900G DAILY SERVICE TUESDAY	0
100-LD-018	R2900/G LOADER DAILY SERVICE	20171227 CAT R2900G DAILY SERVICE SUNDAY	0
100-LD-018	Replace 2 x missing bucket teeth	20171227 Replace 2 x missing bucket teeth	20180103
100-LD-018-HYD	axle high temp warning	20171225 axle high temp warning	20171225
100-LD-018-HYD	Oil leak	20171225 Oil leak	20171225
100-LD-018-STR	squeal in tilt cyl	20171223 squeal in tilt cyl	20171223
100-LD-018-STR	repaired bucket boom stops	20171223 repaired bucket boom stops	20171223
100-LD-018-HYD	brakes not holding	20171221 brakes not holding	20171221
100-LD-018	R2900/G LOADER DAILY SERVICE	20171220 CAT R2900G DAILY SERVICE SATURDAY	20171225
100-LD-018	R2900/G LOADER DAILY SERVICE	20171220 CAT R2900G DAILY SERVICE MONDAY	20171227
100-LD-018	R2900/G LOADER DAILY SERVICE	20171220 CAT R2900G DAILY SERVICE FRIDAY	0
100-LD-018	R2900/G LOADER DAILY SERVICE	20171220 CAT R2900G DAILY SERVICE WEDNESDAY	20171227
100-LD-018	R2900/G LOADER DAILY SERVICE	20171220 CAT R2900G DAILY SERVICE THURSDAY	20171223
100-LD-018	R2900/G LOADER DAILY SERVICE	20171220 CAT R2900G DAILY SERVICE SUNDAY	0
100-LD-018	R2900/G LOADER DAILY SERVICE	20171220 CAT R2900G DAILY SERVICE TUESDAY	20171227
100-LD-018-HYD	Leaking fitting	20171220 Leaking fitting	20171220
100-LD-018-STR	REPLACE FRONT WINDOW	20171218 REPLACE FRONT WINDOW	20171218
100-LD-018-HYD	OIL LEAK L/H LIFT CYL	20171216 OIL LEAK L/H LIFT CYL	20171216
100-LD-018	R2900/G LOADER DAILY SERVICE	20171213 CAT R2900G DAILY SERVICE FRIDAY	20171218
100-LD-018	R2900/G LOADER DAILY SERVICE	20171213 CAT R2900G DAILY SERVICE MONDAY	20171219
100-LD-018	R2900/G LOADER DAILY SERVICE	20171213 CAT R2900G DAILY SERVICE THURSDAY	20171214
100-LD-018	R2900/G LOADER DAILY SERVICE	20171213 CAT R2900G DAILY SERVICE WEDNESDAY	20171215
100-LD-018	R2900/G LOADER DAILY SERVICE	20171213 CAT R2900G DAILY SERVICE TUESDAY	20171220
100-LD-018	R2900/G LOADER DAILY SERVICE	20171213 CAT R2900G DAILY SERVICE SATURDAY	20171218
100-LD-018	R2900/G LOADER DAILY SERVICE	20171213 CAT R2900G DAILY SERVICE SUNDAY	20171218
100-LD-018-ENG	replace u/s a/c hose	20171212 replace u/s a/c hose	20171212
100-LD-018	500HR CAT LOADER SERVICE	20171209 500HR CAT R2900G MECH SERVICE	20171210
100-LD-018-ELC	Front camera issues	20171209 Front camera issues	20171210
100-LD-018-ENG	Blown Turbo Gasket	20171207 Blown Turbo Gasket	20171207
100-LD-018	R2900/G LOADER DAILY SERVICE	20171206 CAT R2900G DAILY SERVICE SUNDAY	20171211
100-LD-018	R2900/G LOADER DAILY SERVICE	20171206 CAT R2900G DAILY SERVICE TUESDAY	20171212
100-LD-018	R2900/G LOADER DAILY SERVICE	20171206 CAT R2900G DAILY SERVICE WEDNESDAY	20171207
100-LD-018	R2900/G LOADER DAILY SERVICE	20171206 CAT R2900G DAILY SERVICE FRIDAY	0
100-LD-018	R2900/G LOADER DAILY SERVICE	20171206 CAT R2900G DAILY SERVICE SATURDAY	0
100-LD-018	R2900/G LOADER DAILY SERVICE	20171206 CAT R2900G DAILY SERVICE MONDAY	20171212
100-LD-018	R2900/G LOADER DAILY SERVICE	20171206 CAT R2900G DAILY SERVICE THURSDAY	0
100-LD-018-STR	Replace Front Window	20171206 Replace Front Window	20171206
100-LD-018-STR	REPLACE DOG BONE PIN	20171202 REPLACE DOG BONE PIN	20171202
100-LD-018-STR	PIN NOT TAKING GREASE	20171201 PIN NOT TAKING GREASE	20171201
100-LD-018	R2900/G LOADER DAILY SERVICE	20171129 CAT R2900G DAILY SERVICE FRIDAY	20171202
100-LD-018	R2900/G LOADER DAILY SERVICE	20171129 CAT R2900G DAILY SERVICE SATURDAY	20171203
100-LD-018	R2900/G LOADER DAILY SERVICE	20171129 CAT R2900G DAILY SERVICE MONDAY	20171205
100-LD-018	R2900/G LOADER DAILY SERVICE	20171129 CAT R2900G DAILY SERVICE WEDNESDAY	20171130
100-LD-018	R2900/G LOADER DAILY SERVICE	20171129 CAT R2900G DAILY SERVICE SUNDAY	20171204
100-LD-018	R2900/G LOADER DAILY SERVICE	20171129 CAT R2900G DAILY SERVICE TUESDAY	20171206
100-LD-018	R2900/G LOADER DAILY SERVICE	20171129 CAT R2900G DAILY SERVICE THURSDAY	20171201
100-LD-018	Adjust rear remote camera	20171128 Adjust rear remote camera	20171128
100-LD-018-ELC	hydraulic oil temp light on	20171127 hydraulic oil temp light on	20171127
100-LD-018-DRV	TRANSMISSION SIGHT GLASS LEAK	20171126 REPLACE TRANSMISSION SITE GLASS	20171127
100-LD-018-HYD	LEAKING RIDE CONTROL ACCUMULATOR HOSE	20171126 REPLACE RIDE CONTROL ACCUMULATOR HOSE	20171128
100-LD-018-STR	broken fire extinguisher	20171123 broken fire extinguisher	20171123
100-LD-018	R2900/G LOADER DAILY SERVICE	20171122 CAT R2900G DAILY SERVICE WEDNESDAY	20171123
100-LD-018	R2900/G LOADER DAILY SERVICE	20171122 CAT R2900G DAILY SERVICE SUNDAY	20171127
100-LD-018	R2900/G LOADER DAILY SERVICE	20171122 CAT R2900G DAILY SERVICE TUESDAY	20171205
100-LD-018	R2900/G LOADER DAILY SERVICE	20171122 CAT R2900G DAILY SERVICE FRIDAY	20171125
100-LD-018	R2900/G LOADER DAILY SERVICE	20171122 CAT R2900G DAILY SERVICE SATURDAY	20171128
100-LD-018	R2900/G LOADER DAILY SERVICE	20171122 CAT R2900G DAILY SERVICE THURSDAY	20171124
100-LD-018	R2900/G LOADER DAILY SERVICE	20171122 CAT R2900G DAILY SERVICE MONDAY	20171128
100-LD-018	R2900/G LOADER DAILY SERVICE	20171117 CAT R2900G DAILY SERVICE TUESDAY	0
100-LD-018	R2900/G LOADER DAILY SERVICE	20171117 CAT R2900G DAILY SERVICE WEDNESDAY	0
100-LD-018	R2900/G LOADER DAILY SERVICE	20171117 CAT R2900G DAILY SERVICE THURSDAY	0
100-LD-018	R2900/G LOADER DAILY SERVICE	20171117 CAT R2900G DAILY SERVICE FRIDAY	20171118
100-LD-018	R2900/G LOADER DAILY SERVICE	20171117 CAT R2900G DAILY SERVICE SATURDAY	0
100-LD-018	R2900/G LOADER DAILY SERVICE	20171117 CAT R2900G DAILY SERVICE MONDAY	20171120
100-LD-018	R2900/G LOADER DAILY SERVICE	20171117 CAT R2900G DAILY SERVICE SUNDAY	20171121
100-LD-018	250HR CAT LOADER SERVICE	20171115 250HR R2900G MECH SERVICE	20171116



100-LD-018	500HR CAT R2900G EMISSIONS TESTING	20171115 500HR CAT R2900G EMISSIONS TESTING	20171116
100-LD-018	No front picture on remotes	20171112 No front picture on remotes	20171112
100-LD-018-HYD	replacd brake charge valve	20171111 replacd brake charge valve	20171111
100-LD-018	R2900/G LOADER DAILY SERVICE	20171108 CAT R2900G DAILY SERVICE FRIDAY	20171110
100-LD-018	R2900/G LOADER DAILY SERVICE	20171108 CAT R2900G DAILY SERVICE SATURDAY	20171112
100-LD-018	R2900/G LOADER DAILY SERVICE	20171108 CAT R2900G DAILY SERVICE MONDAY	20171114
100-LD-018	R2900/G LOADER DAILY SERVICE	20171108 CAT R2900G DAILY SERVICE WEDNESDAY	20171109
100-LD-018	R2900/G LOADER DAILY SERVICE	20171108 CAT R2900G DAILY SERVICE THURSDAY	20171111
100-LD-018	R2900/G LOADER DAILY SERVICE	20171108 CAT R2900G DAILY SERVICE TUESDAY	20171115
100-LD-018	R2900/G LOADER DAILY SERVICE	20171108 CAT R2900G DAILY SERVICE SUNDAY	20171113
100-LD-018	handrail missing	20171102 handrail missing	20171102
100-LD-018-STR	SAFETY RAILS BROKEN	20171102 BOILERMAKER - REPLACE HANDRAILS	20171103
100-LD-018	R2900/G LOADER DAILY SERVICE	20171101 CAT R2900G DAILY SERVICE SATURDAY	20171105
100-LD-018	R2900/G LOADER DAILY SERVICE	20171101 CAT R2900G DAILY SERVICE THURSDAY	20171102
100-LD-018	R2900/G LOADER DAILY SERVICE	20171101 CAT R2900G DAILY SERVICE FRIDAY	20171103
100-LD-018	R2900/G LOADER DAILY SERVICE	20171101 CAT R2900G DAILY SERVICE MONDAY	20171107
100-LD-018	R2900/G LOADER DAILY SERVICE	20171101 CAT R2900G DAILY SERVICE WEDNESDAY	20171102
100-LD-018	R2900/G LOADER DAILY SERVICE	20171101 CAT R2900G DAILY SERVICE TUESDAY	20171107
100-LD-018	R2900/G LOADER DAILY SERVICE	20171101 CAT R2900G DAILY SERVICE SUNDAY	20171106
100-LD-018	NOT STARTING	20171101 NOT STARTING	20171101
100-LD-018-DRV	replace pos1 and 3 tyres OSR 17538	20171101 replace pos1 and 3 tyres	20171101
100-LD-018-STR	REPLACE ALL GET	20171029 REPLACE ALL GET	20171029
100-LD-018-STR	replace bucket tooth	20171028 replace bucket tooth	20171028
100-LD-018-ENG	a/c not working	20171027 a/c not working	20171029
100-LD-018-STR	replace bucket tooth	20171027 replace bucket tooth	20171027
100-LD-018	R2900/G LOADER DAILY SERVICE	20171025 CAT R2900G DAILY SERVICE SUNDAY	20171030
100-LD-018	R2900/G LOADER DAILY SERVICE	20171025 CAT R2900G DAILY SERVICE TUESDAY	20171101
100-LD-018	R2900/G LOADER DAILY SERVICE	20171025 CAT R2900G DAILY SERVICE FRIDAY	20171028
100-LD-018	R2900/G LOADER DAILY SERVICE	20171025 CAT R2900G DAILY SERVICE SATURDAY	20171030
100-LD-018	R2900/G LOADER DAILY SERVICE	20171025 CAT R2900G DAILY SERVICE MONDAY	20171031
100-LD-018	R2900/G LOADER DAILY SERVICE	20171025 CAT R2900G DAILY SERVICE WEDNESDAY	20171026
100-LD-018	R2900/G LOADER DAILY SERVICE	20171025 CAT R2900G DAILY SERVICE THURSDAY	20171027
100-LD-018	2000HR CAT LOADER SERVICE	20171024 MOUNT WHEEL CHOCKS	0
100-LD-018	2000HR CAT LOADER SERVICE	20171024 2000HR CAT R2900G MECH SERVICE	20171026
100-LD-018-STR	REPLACE BROKEN CENTER BUCKET TOOTH	20171022 REPLACE BROKEN CENTER BUCKET TOOTH	20171022
100-LD-018-STR	REPLACE R/H CORNER BUCKET TOOTH	20171020 REPLACE R/H CORNER BUCKET TOOTH	20171020
100-LD-018-STR	REPAIR BROKEN BONNET HINGE	20171019 REPAIR BROKEN BONNET HINGE	20171019
100-LD-018	R2900/G LOADER DAILY SERVICE	20171018 CAT R2900G DAILY SERVICE FRIDAY	20171023
100-LD-018	R2900/G LOADER DAILY SERVICE	20171018 CAT R2900G DAILY SERVICE WEDNESDAY	20171019
100-LD-018	R2900/G LOADER DAILY SERVICE	20171018 CAT R2900G DAILY SERVICE SUNDAY	20171022
100-LD-018	R2900/G LOADER DAILY SERVICE	20171018 CAT R2900G DAILY SERVICE TUESDAY	0
100-LD-018	R2900/G LOADER DAILY SERVICE	20171018 CAT R2900G DAILY SERVICE SATURDAY	0
100-LD-018	R2900/G LOADER DAILY SERVICE	20171018 CAT R2900G DAILY SERVICE THURSDAY	20171020
100-LD-018	R2900/G LOADER DAILY SERVICE	20171018 CAT R2900G DAILY SERVICE MONDAY	20171023
100-LD-018-DRV	POS 2 TYRE TO REPLACE OSR	20171017 POS 2 TYRE TO REPLACE	20171022
100-LD-018	R2900/G LOADER DAILY SERVICE	20171011 CAT R2900G DAILY SERVICE FRIDAY	20171014
100-LD-018	R2900/G LOADER DAILY SERVICE	20171011 CAT R2900G DAILY SERVICE SUNDAY	20171016
100-LD-018	R2900/G LOADER DAILY SERVICE	20171011 CAT R2900G DAILY SERVICE TUESDAY	20171018
100-LD-018	R2900/G LOADER DAILY SERVICE	20171011 CAT R2900G DAILY SERVICE WEDNESDAY	20171014
100-LD-018	R2900/G LOADER DAILY SERVICE	20171011 CAT R2900G DAILY SERVICE SATURDAY	20171015
100-LD-018	R2900/G LOADER DAILY SERVICE	20171011 CAT R2900G DAILY SERVICE MONDAY	20171017
100-LD-018	R2900/G LOADER DAILY SERVICE	20171011 CAT R2900G DAILY SERVICE THURSDAY	20171013
100-LD-018	250HR CAT LOADER SERVICE	20171005 250HR R2900G MECH SERVICE	20171006
100-LD-018	R2900/G LOADER DAILY SERVICE	20171004 CAT R2900G DAILY SERVICE MONDAY	20171010
100-LD-018	R2900/G LOADER DAILY SERVICE	20171004 CAT R2900G DAILY SERVICE FRIDAY	20171007
100-LD-018	R2900/G LOADER DAILY SERVICE	20171004 CAT R2900G DAILY SERVICE SATURDAY	20171008
100-LD-018	R2900/G LOADER DAILY SERVICE	20171004 CAT R2900G DAILY SERVICE WEDNESDAY	20171011
100-LD-018	R2900/G LOADER DAILY SERVICE	20171004 CAT R2900G DAILY SERVICE TUESDAY	0
100-LD-018	R2900/G LOADER DAILY SERVICE	20171004 CAT R2900G DAILY SERVICE SUNDAY	0
100-LD-018	R2900/G LOADER DAILY SERVICE	20171004 CAT R2900G DAILY SERVICE THURSDAY	0
100-LD-018-DRV	Park break issues on remotes	20171004 Park break issues on remotes	20171005
100-LD-018	R2900/G LOADER DAILY SERVICE	20170927 CAT R2900G DAILY SERVICE THURSDAY	20170929
100-LD-018	R2900/G LOADER DAILY SERVICE	20170927 CAT R2900G DAILY SERVICE SUNDAY	0
100-LD-018	R2900/G LOADER DAILY SERVICE	20170927 CAT R2900G DAILY SERVICE TUESDAY	20171004
100-LD-018	R2900/G LOADER DAILY SERVICE	20170927 CAT R2900G DAILY SERVICE WEDNESDAY	20171005
100-LD-018	R2900/G LOADER DAILY SERVICE	20170927 CAT R2900G DAILY SERVICE FRIDAY	20171001
100-LD-018	R2900/G LOADER DAILY SERVICE	20170927 CAT R2900G DAILY SERVICE SATURDAY	20171001
100-LD-018	R2900/G LOADER DAILY SERVICE	20170927 CAT R2900G DAILY SERVICE MONDAY	20171002
100-LD-018	R2900/G LOADER DAILY SERVICE	20170920 CAT R2900G DAILY SERVICE SUNDAY	20170925

100-LD-018	R2900/G LOADER DAILY SERVICE	20170920 CAT R2900G DAILY SERVICE TUESDAY	20170926
100-LD-018	R2900/G LOADER DAILY SERVICE	20170920 CAT R2900G DAILY SERVICE SATURDAY	20170924
100-LD-018	R2900/G LOADER DAILY SERVICE	20170920 CAT R2900G DAILY SERVICE MONDAY	20170926
100-LD-018	R2900/G LOADER DAILY SERVICE	20170920 CAT R2900G DAILY SERVICE FRIDAY Not Pre	0
100-LD-018	R2900/G LOADER DAILY SERVICE	20170920 CAT R2900G DAILY SERVICE WEDNESDAY	20170924
100-LD-018	R2900/G LOADER DAILY SERVICE	20170920 CAT R2900G DAILY SERVICE THURSDAY	20170922
100-LD-018-HYD	Blown lift hose	20170920 Blown lift hose	20170921
100-LD-018-ELC	R&R P/B pressure switch	20170917 R&R P/B pressure switch	20170917
100-LD-018	500HR CAT LOADER SERVICE	20170914 500HR CAT R2900G MECH SERVICE	20170914
100-LD-018	R2900/G LOADER DAILY SERVICE	20170913 CAT R2900G DAILY SERVICE SUNDAY	20170917
100-LD-018	R2900/G LOADER DAILY SERVICE	20170913 CAT R2900G DAILY SERVICE TUESDAY	20170919
100-LD-018	R2900/G LOADER DAILY SERVICE	20170913 CAT R2900G DAILY SERVICE MONDAY	20170919
100-LD-018	R2900/G LOADER DAILY SERVICE	20170913 CAT R2900G DAILY SERVICE WEDNESDAY	20170919
100-LD-018	R2900/G LOADER DAILY SERVICE	20170913 CAT R2900G DAILY SERVICE THURSDAY NOT US	0
100-LD-018	R2900/G LOADER DAILY SERVICE	20170913 CAT R2900G DAILY SERVICE FRIDAY	0
100-LD-018	R2900/G LOADER DAILY SERVICE	20170913 CAT R2900G DAILY SERVICE SATURDAY	20170917
100-LD-018-HYD	blown tylt cylinder o-ring	20170909 blown tylt cylinder o-ring	20170909
100-LD-018-ELC	tele transmitter fault	20170908 tele transmitter fault	20170910
100-LD-018-ENG	exhaust leak	20170907 exhaust leak	20170907
100-LD-018	R2900/G LOADER DAILY SERVICE	20170906 CAT R2900G DAILY SERVICE FRIDAY	20170909
100-LD-018	R2900/G LOADER DAILY SERVICE	20170906 CAT R2900G DAILY SERVICE SATURDAY	20170910
100-LD-018	R2900/G LOADER DAILY SERVICE	20170906 CAT R2900G DAILY SERVICE MONDAY	20170912
100-LD-018	R2900/G LOADER DAILY SERVICE	20170906 CAT R2900G DAILY SERVICE SUNDAY	20170911
100-LD-018	R2900/G LOADER DAILY SERVICE	20170906 CAT R2900G DAILY SERVICE WEDNESDAY	20170907
100-LD-018	R2900/G LOADER DAILY SERVICE	20170906 CAT R2900G DAILY SERVICE TUESDAY	20170913
100-LD-018	R2900/G LOADER DAILY SERVICE	20170906 CAT R2900G DAILY SERVICE THURSDAY	20170908
100-LD-018-HYD	R&R blown brake hose	20170905 R&R blown brake hose	20170906
100-LD-018-ELC	ERRATIC HYD TEMP GUAGE	20170904 ERRATIC HYD TEMP GUAGE	20170904
100-LD-018-STR	REPLACE BUCKET TEETH	20170903 REPLACE BUCKET TEETH	20170903
100-LD-018	R2900/G LOADER DAILY SERVICE	20170901 CAT R2900G DAILY SERVICE THURSDAY	0
100-LD-018	R2900/G LOADER DAILY SERVICE	20170901 CAT R2900G DAILY SERVICE SATURDAY	20170904
100-LD-018	R2900/G LOADER DAILY SERVICE	20170901 CAT R2900G DAILY SERVICE FRIDAY	20170902
100-LD-018	R2900/G LOADER DAILY SERVICE	20170901 CAT R2900G DAILY SERVICE MONDAY	20170904
100-LD-018	R2900/G LOADER DAILY SERVICE	20170901 CAT R2900G DAILY SERVICE WEDNESDAY	0
100-LD-018	R2900/G LOADER DAILY SERVICE	20170901 CAT R2900G DAILY SERVICE TUESDAY	20170905
100-LD-018	R2900/G LOADER DAILY SERVICE	20170901 CAT R2900G DAILY SERVICE SUNDAY	20170903
100-LD-018	250HR CAT LOADER SERVICE	20170829 250HR R2900G MECH SERVICE	20170829
100-LD-018-DRV	Tyre pressures wrong	20170828 Tyre pressures wrong	20170828
100-LD-018-ENG	BROKEN BOLT IN A/C COMPRESSOR	20170827 BROKEN BOLT IN A/C COMPRESSOR	20170827
100-LD-018-STR	replace broken window	20170825 replace broken window	20170825
100-LD-018	R2900/G LOADER DAILY SERVICE	20170823 CAT R2900G DAILY SERVICE MONDAY	0
100-LD-018	R2900/G LOADER DAILY SERVICE	20170823 CAT R2900G DAILY SERVICE FRIDAY	20170825
100-LD-018	R2900/G LOADER DAILY SERVICE	20170823 CAT R2900G DAILY SERVICE SATURDAY	20170827
100-LD-018	R2900/G LOADER DAILY SERVICE	20170823 CAT R2900G DAILY SERVICE THURSDAY	20170825
100-LD-018	R2900/G LOADER DAILY SERVICE	20170823 CAT R2900G DAILY SERVICE TUESDAY 250 hr	0
100-LD-018	R2900/G LOADER DAILY SERVICE	20170823 CAT R2900G DAILY SERVICE WEDNESDAY	20170829
100-LD-018	R2900/G LOADER DAILY SERVICE	20170823 CAT R2900G DAILY SERVICE SUNDAY	20170828
100-LD-018-STR	swing lever pin walked out	20170819 swing lever pin walked out	20170819
100-LD-018	R2900/G LOADER DAILY SERVICE	20170816 CAT R2900G DAILY SERVICE FRIDAY	20170819
100-LD-018	R2900/G LOADER DAILY SERVICE	20170816 CAT R2900G DAILY SERVICE MONDAY	20170821
100-LD-018	R2900/G LOADER DAILY SERVICE	20170816 CAT R2900G DAILY SERVICE WEDNESDAY	20170816
100-LD-018	R2900/G LOADER DAILY SERVICE	20170816 CAT R2900G DAILY SERVICE TUESDAY	20170822
100-LD-018	R2900/G LOADER DAILY SERVICE	20170816 CAT R2900G DAILY SERVICE THURSDAY	20170817
100-LD-018	R2900/G LOADER DAILY SERVICE	20170816 CAT R2900G DAILY SERVICE SATURDAY	20170819
100-LD-018	R2900/G LOADER DAILY SERVICE	20170816 CAT R2900G DAILY SERVICE SUNDAY	20170820
100-LD-018	R2900/G LOADER DAILY SERVICE	20170809 CAT R2900G DAILY SERVICE TUESDAY	20170816
100-LD-018	R2900/G LOADER DAILY SERVICE	20170809 CAT R2900G DAILY SERVICE FRIDAY	20170813
100-LD-018	R2900/G LOADER DAILY SERVICE	20170809 CAT R2900G DAILY SERVICE WEDNESDAY	20170810
100-LD-018	R2900/G LOADER DAILY SERVICE	20170809 CAT R2900G DAILY SERVICE SATURDAY	20170813
100-LD-018	R2900/G LOADER DAILY SERVICE	20170809 CAT R2900G DAILY SERVICE MONDAY	20170815
100-LD-018	R2900/G LOADER DAILY SERVICE	20170809 CAT R2900G DAILY SERVICE THURSDAY	20170811
100-LD-018	R2900/G LOADER DAILY SERVICE	20170809 CAT R2900G DAILY SERVICE SUNDAY	20170814
100-LD-018	6 MONTHLY GAS TESTING	20170804 6 MONTHLY GAS TESTING PM2079	20170804
100-LD-018-HYD	BYPASS TEST TILT CYL	20170803 BYPASS TEST TILT CYLINDER	20170804
100-LD-018-STR	FIT UP RUBBER TO MUD GUARDS	20170803 REPLACE L/H MUDGUARD & RUBBER	20170803
100-LD-018-STR	REPLACE WINDOWS	20170803 REPLACE REAR WINDOW	20170807
100-LD-018-STR	REPLACE WINDOWS	20170803 REPLACE SIDE WINDOW	0
100-LD-018	R2900/G LOADER DAILY SERVICE	20170802 CAT R2900G DAILY SERVICE WEDNESDAY	20170803
100-LD-018	R2900/G LOADER DAILY SERVICE	20170802 CAT R2900G DAILY SERVICE SUNDAY	20170807

100-LD-018	R2900/G LOADER DAILY SERVICE	20170802 CAT R2900G DAILY SERVICE TUESDAY	20170809
100-LD-018	R2900/G LOADER DAILY SERVICE	20170802 CAT R2900G DAILY SERVICE FRIDAY	20170804
100-LD-018	R2900/G LOADER DAILY SERVICE	20170802 CAT R2900G DAILY SERVICE SATURDAY	20170805
100-LD-018	R2900/G LOADER DAILY SERVICE	20170802 CAT R2900G DAILY SERVICE MONDAY	20170808
100-LD-018	R2900/G LOADER DAILY SERVICE	20170802 CAT R2900G DAILY SERVICE THURSDAY	20170803
100-LD-018-ENG	replaced damaged rain hat	20170731 replaced damaged rain hat	20170731
100-LD-018-HYD	REPLACE HYD JOYSTICK	20170731 REPLACE HYD JOYSTICK	20170905
100-LD-018	inspect faulty joystick for bucket	20170730 inspect faulty joystick for bucket	20170730
100-LD-018	R2900/G LOADER DAILY SERVICE	20170726 CAT R2900G DAILY SERVICE WEDNESDAY	20170809
100-LD-018	R2900/G LOADER DAILY SERVICE	20170726 CAT R2900G DAILY SERVICE MONDAY	20170801
100-LD-018	R2900/G LOADER DAILY SERVICE	20170726 CAT R2900G DAILY SERVICE FRIDAY No Time	0
100-LD-018	R2900/G LOADER DAILY SERVICE	20170726 CAT R2900G DAILY SERVICE SATURDAY	20170730
100-LD-018	R2900/G LOADER DAILY SERVICE	20170726 CAT R2900G DAILY SERVICE THURSDAY	20170727
100-LD-018	R2900/G LOADER DAILY SERVICE	20170726 CAT R2900G DAILY SERVICE SUNDAY	20170731
100-LD-018	R2900/G LOADER DAILY SERVICE	20170726 CAT R2900G DAILY SERVICE TUESDAY	20170802
100-LD-018-HYD	REPLACE STEERING NEUTRALIZER	20170721 REPLACE STEERING NEUTRALIZERS	20170724
100-LD-018	1000HR CAT LOADER SERVICE	20170720 1000HR CAT R2900G MECH SERVICE	20170803
100-LD-018	R2900/G LOADER DAILY SERVICE	20170719 CAT R2900G DAILY SERVICE THURSDAY	0
100-LD-018	R2900/G LOADER DAILY SERVICE	20170719 CAT R2900G DAILY SERVICE WEDNESDAY	20170809
100-LD-018	R2900/G LOADER DAILY SERVICE	20170719 CAT R2900G DAILY SERVICE FRIDAY	20170724
100-LD-018	R2900/G LOADER DAILY SERVICE	20170719 CAT R2900G DAILY SERVICE SATURDAY	0
100-LD-018	R2900/G LOADER DAILY SERVICE	20170719 CAT R2900G DAILY SERVICE MONDAY	0
100-LD-018	R2900/G LOADER DAILY SERVICE	20170719 CAT R2900G DAILY SERVICE SUNDAY	0
100-LD-018	R2900/G LOADER DAILY SERVICE	20170719 CAT R2900G DAILY SERVICE TUESDAY	0
100-LD-018-STR	PRESTART 35378 REPAIRS	20170715 REPLACE FRONT WINDOW	20170718
100-LD-018-STR	PRESTART 35378 REPAIRS	20170715 INSPECT / REPORT ON HANDRAILS	0
100-LD-018	INSTALL MINETECH SYSTEM	20170714 GTM - INSTALL MINETECH SYSTEM	20170720
100-LD-018	loader 18 at 9795 logic box no seal wate	20170714 loader 18 at 9795 logic box no seal wate	20170714
100-LD-018	R2900/G LOADER DAILY SERVICE	20170712 CAT R2900G DAILY SERVICE SUNDAY	20170716
100-LD-018	R2900/G LOADER DAILY SERVICE	20170712 CAT R2900G DAILY SERVICE THURSDAY	20170713
100-LD-018	R2900/G LOADER DAILY SERVICE	20170712 CAT R2900G DAILY SERVICE SATURDAY	20170715
100-LD-018	R2900/G LOADER DAILY SERVICE	20170712 CAT R2900G DAILY SERVICE FRIDAY	20170715
100-LD-018	R2900/G LOADER DAILY SERVICE	20170712 CAT R2900G DAILY SERVICE MONDAY	20170718
100-LD-018	R2900/G LOADER DAILY SERVICE	20170712 CAT R2900G DAILY SERVICE TUESDAY	0
100-LD-018	R2900/G LOADER DAILY SERVICE	20170712 CAT R2900G DAILY SERVICE WEDNESDAY	20170720
100-LD-018-ENG	WESTRAC TO FLASH ECMS W/ LATEST SOFTWARE	20170712 WESTRAC - FLASH ECMS W/ LATEST SOFTWARE	20170713
100-LD-018-HYD	blown steer hose @ 9735	20170712 blown steer hose @ 9735	20170713
100-LD-018	replace broken window	20170710 replace broken window	20170713
100-LD-018-ENG	FUEL HOSE NEEDS REPLACING	20170708 REPLACE FUEL HOSE	20170724
100-LD-018-ELC	COMPRESSOR U/S	20170707 COMPRESSOR U/S	20170713
100-LD-018-ENG	FUEL LEAK	20170707 FUEL LEAK	20170713
100-LD-018-STR	BROKEN A/C ADJUSTER	20170707 BROKEN A/C ADJUSTER	20170713
100-LD-018-STR	PJL - INSPECT TALON G.E.T	20170707 PJL - INSPECT TALON G.E.T	20170712
100-LD-018	R2900/G LOADER DAILY SERVICE	20170705 CAT R2900G DAILY SERVICE MONDAY	0
100-LD-018	R2900/G LOADER DAILY SERVICE	20170705 CAT R2900G DAILY SERVICE FRIDAY	20170707
100-LD-018	R2900/G LOADER DAILY SERVICE	20170705 CAT R2900G DAILY SERVICE SATURDAY	0
100-LD-018	R2900/G LOADER DAILY SERVICE	20170705 CAT R2900G DAILY SERVICE SUNDAY	20170709
100-LD-018	R2900/G LOADER DAILY SERVICE	20170705 CAT R2900G DAILY SERVICE TUESDAY	0
100-LD-018	R2900/G LOADER DAILY SERVICE	20170705 CAT R2900G DAILY SERVICE WEDNESDAY	20170713
100-LD-018	R2900/G LOADER DAILY SERVICE	20170705 CAT R2900G DAILY SERVICE THURSDAY	20170706
100-LD-018-STR	tensioned bucket teeth , check a/c	20170629 tensioned bucket teeth , check a/c	20170629
100-LD-018	R2900/G LOADER DAILY SERVICE	20170628 CAT R2900G DAILY SERVICE SUNDAY	20170703
100-LD-018	R2900/G LOADER DAILY SERVICE	20170628 CAT R2900G DAILY SERVICE TUESDAY	20170705
100-LD-018	R2900/G LOADER DAILY SERVICE	20170628 CAT R2900G DAILY SERVICE FRIDAY	20170701
100-LD-018	R2900/G LOADER DAILY SERVICE	20170628 CAT R2900G DAILY SERVICE SATURDAY	20170703
100-LD-018	R2900/G LOADER DAILY SERVICE	20170628 CAT R2900G DAILY SERVICE MONDAY	20170704
100-LD-018	R2900/G LOADER DAILY SERVICE	20170628 CAT R2900G DAILY SERVICE THURSDAY	20170630
100-LD-018	R2900/G LOADER DAILY SERVICE	20170628 CAT R2900G DAILY SERVICE WEDNESDAY	20170629
100-LD-018-ELC	LIGHT FAULT	20170626 LIGHT FAULT	20170626
100-LD-018-ELC	troubleshoot a/c fault	20170626 troubleshoot a/c fault	20170626
100-LD-018-ELC	OSR#15600 Install remotes on machine	20170625 Install remotes on machine	20170627
100-LD-018-ELC	Check LHD18 setup for remotes	20170624 Check LHD18 setup for remotes	20170626
100-LD-018-ELC	replace u/s starter motor	20170622 replace u/s starter motor	20170626
100-LD-018-HYD	BROKEN FITTING	20170622 BROKEN FITTING	20170622
100-LD-018	R2900/G LOADER DAILY SERVICE	20170621 CAT R2900G DAILY SERVICE FRIDAY	0
100-LD-018	R2900/G LOADER DAILY SERVICE	20170621 CAT R2900G DAILY SERVICE MONDAY	20170628
100-LD-018	R2900/G LOADER DAILY SERVICE	20170621 CAT R2900G DAILY SERVICE SATURDAY	0
100-LD-018	R2900/G LOADER DAILY SERVICE	20170621 CAT R2900G DAILY SERVICE SUNDAY	20170625
100-LD-018	R2900/G LOADER DAILY SERVICE	20170621 CAT R2900G DAILY SERVICE TUESDAY	20170627



100-LD-018	R2900/G LOADER DAILY SERVICE	20170621 CAT R2900G DAILY SERVICE WEDNESDAY	20170622
100-LD-018	R2900/G LOADER DAILY SERVICE	20170621 CAT R2900G DAILY SERVICE THURSDAY	20170623
100-LD-018-ELC	REPAIR FRONT LIGHT ISSUES 12709RS	20170621 REPAIR FRONT LIGHT ISSUES 12709RS	20170623
100-LD-018	250HR CAT LOADER SERVICE	20170620 250HR R2900G MECH SERVICE	20170626
100-LD-018	R2900/G LOADER DAILY SERVICE	20170614 CAT R2900G DAILY SERVICE FRIDAY	20170616
100-LD-018	R2900/G LOADER DAILY SERVICE	20170614 CAT R2900G DAILY SERVICE MONDAY	20170619
100-LD-018	R2900/G LOADER DAILY SERVICE	20170614 CAT R2900G DAILY SERVICE WEDNESDAY	20170623
100-LD-018	R2900/G LOADER DAILY SERVICE	20170614 CAT R2900G DAILY SERVICE TUESDAY	20170620
100-LD-018	R2900/G LOADER DAILY SERVICE	20170614 CAT R2900G DAILY SERVICE SATURDAY	0
100-LD-018	R2900/G LOADER DAILY SERVICE	20170614 CAT R2900G DAILY SERVICE SUNDAY	20170618
100-LD-018	R2900/G LOADER DAILY SERVICE	20170614 CAT R2900G DAILY SERVICE THURSDAY	0
100-LD-018-ENG	LOW POWER	20170612 LOW POWER	20170619
100-LD-018-STR	RETORQUE ON PINS	20170610 RETORQUE ON PINS	20170614
100-LD-018-STR	BOOM PIN RETORQUE	20170607 BOOM PIN RETORQUE	20170619
100-LD-018-ENG	aftercooler u/s	20170527 aftercooler u/s	20170606
100-LD-018-ELC	REPLACE AUTOLUBE PRESS. SWITCH	20170525 REPLACE AUTOLUBE PRESS. SWITCH	20170606
100-LD-018-ELC	Changeout park brake pressure switch	20170525 Changeout park brake pressure switch	20170526
100-LD-018-ELC	REPLACE U/S GAUGE CLUSTER	20170525 REPLACE U/S GAUGE CLUSTER	20170606
100-LD-018-ENG	CLEAN/REPAIR FUEL SYSTEM	20170523 CLEAN/REPAIR FUEL SYSTEM	20170606
100-LD-018-HYD	HYD COOLER LEAKING	20170523 HYD COOLER LEAKING	20170606
100-LD-018	LD18 POST REBUILD COMMISSIONING CHECKS	20170519 LD18 POST REBUILD COMMISSIONING CHECKS	20170606
100-LD-018-ENG	WESTAC TO CHECK LOW POWER ISSUE	20170519 WESTAC TO CHECK LOW POWER ISSUE	20170628
100-LD-018-ENG	WESTAC TO CHECK LOW POWER ISSUE	20170519 WESTRAC - LD-18 LOW POWER FAULT SI09400	0
100-LD-018-STR	CAB PARTS FOR LOADER 18	20170512 CAB PARTS FOR LOADER 18	20170606
100-LD-018-DRV	INSPECT WHEELEND SUN GEAR SERIAL NUMBER	20170510 INSPECT WHEELEND SUN GEAR SERIAL NUMBER	20170511
100-LD-018-ELC	Reinstall logic box	20170509 Reinstall logic box	20170512
100-LD-018	COMMISSIONING WORK	20170413 COMMISSIONING WORK	20170606
100-LD-018-ELC	LHD18 auto greaser not working	20170329 LHD18 auto greaser not working	20170507
100-LD-018-ELC	MAIN CAB HARNESS U/S	20170328 MAIN CAB HARNESS U/S	20170519
100-LD-018-ELC	MAIN CAB HARNESS U/S	20170328 GTM LABOUR TO FIT HARNESS	0
100-LD-018-STR	REPLACED DAMAGED FRONT WINDOW	20170328 REPLACED DAMAGED FRONT WINDOW	20170406
100-LD-018-STR	2900 HAND RAIL KIT	20170309 2900 HAND RAIL KIT	20170519
100-LD-018-STR	MISSING COVERS AND GUARDS	20170303 MISSING COVERS AND GUARDS	20170503
100-LD-018-HYD	BRAKE HOSING FOR LOADER 18	20170302 BRAKE HOSING FOR LOADER 18	20170503
100-LD-018-DRV	REPLACED ALL WHEEL NUTS AND WASHERS	20161222 REPLACED ALL WHEEL NUTS AND WASHERS	20161229
100-LD-018-STR	MISSING AND DAMAGED GUARDS	20161214 MISSING AND DAMAGED GUARDS	20161221
100-LD-018-ENG	Parts to repair and fit exhaust	20161210 Parts to repair and fit exhaust	20161229
100-LD-018-ENG	FUEL LINES FOR LOADER 18	20161207 FUEL LINES FOR LOADER 18	20161220
100-LD-018-ENG	fit correct bolts for mounting engine	20161128 fit correct bolts	20161209
100-LD-018-STR	CAB REPAIRS	20160921 CAB REPAIRS	20161220
100-LD-018-STR	CAB REPAIRS	20160921 Pjl - DAMAGE REPAIRS TO CABIN INV# 20316	20161103
100-LD-018-HYD	Replace Pumps	20160920 Replace Pumps	20161103
100-LD-018-STR	WATER BLAST MACHINE	20160715 URQUHART - WATER BLAST LD-18 FRONT FRAME	20161103
100-LD-018	ONSITE MAJOR REPAIRS AT NEW COBAR	20160706 COBAR CRANES - LIFT LD-18 ON/OFF FLOAT	0
100-LD-018	ONSITE MAJOR REPAIRS AT NEW COBAR	20160706 Pjl LABOUR HIRE - GEORGE PETERS 170203	20170307
100-LD-018	ONSITE MAJOR REPAIRS AT NEW COBAR	20160706 WESTRAC LABOUR TO FLASH ECM	0
100-LD-018	ONSITE MAJOR REPAIRS AT NEW COBAR	20160706 Pjl LABOUR HIRE - GEORGE PETERS 170210	20170217
100-LD-018	ONSITE MAJOR REPAIRS AT NEW COBAR	20160706 ONSITE MAJOR REPAIRS AT NEW COBAR	20170605
100-LD-018	ONSITE MAJOR REPAIRS AT NEW COBAR	20160706 PRISKS TRANSPORT LD-18 PEAK - NEW COBAR	20161103
100-LD-018	CAPEX - ONSITE POWERTRAIN REBUILD PARTS	20160701 CAPEX - ONSITE POWERTRAIN REBUILD PARTS	20161108
100-LD-018	3 MTHLY LOADER REMOTE SERVICE	20160425 3 MTHLY LOADER REMOTE ELEC SERVICE	20160705
100-LD-018	6 MONTHLY FIRE SUPPRESSION TESTING	20160301 6 MONTHLY FIRE SUPPRESSION TESTING	20160926
100-LD-018	6 MONTHLY GAS TESTING	20160301 6 MONTHLY GAS TESTING PM2079	20160428
100-LD-018	R2900/G LOADER DAILY SERVICE	20160120 R2900/G LOADER DAILY SERVICE	20160428
100-LD-018	R2900/G LOADER DAILY SERVICE	20151216 R2900/G LOADER DAILY SERVICE	20160114
100-LD-018	trans fault	20151215 trans fault	20160114
100-LD-018	R2900/G LOADER DAILY SERVICE	20151209 R2900/G LOADER DAILY SERVICE	20160114
100-LD-018	R2900/G LOADER DAILY SERVICE	20151202 R2900/G LOADER DAILY SERVICE	20151215
100-LD-018	500HR CAT LOADER SERVICE	20151202 500HR CAT LOADER MECH SERVICE	20151214
100-LD-018	Transmission neautralizing	20151130 Transmission neautralizing	20151203
100-LD-018	TRANSMISSION NUTRALIZING	20151130 TRANSMISSION NUTRALIZING	20151203
100-LD-018	replace blown tilt hose	20151127 replace blown tilt hose	20151203
100-LD-018	ac fault	20151126 ac fault	20151203
100-LD-018	oil leak	20151126 oil leak	20151203
100-LD-018	R2900/G LOADER DAILY SERVICE	20151125 R2900/G LOADER DAILY SERVICE	20151203
100-LD-018	r&r pos 1 &2	20151124 r&r pos 1 &2	20151201
100-LD-018	r&r bucket teeth (&replace rear window)	20151124 r&r bucket teeth	20151202
100-LD-018	r&r bucket teeth (&replace rear window)	20151124 replace rear window	20151125
100-LD-018	oil leak on tilt cyl	20151123 oil leak on tilt cyl	20151201

100-LD-018	replace r/h corner bucket tooth	20151123	replace r/h corner bucket tooth	20151201
100-LD-018	refit 1/4 window	20151118	refit 1/4 window	20151201
100-LD-018	R2900/G LOADER DAILY SERVICE	20151118	R2900/G LOADER DAILY SERVICE	20151203
100-LD-018	L/H Corner tooth broken off	20151117	L/H Corner tooth broken off	20151117
100-LD-018	100-LD-018 HOUR BASED SERVICE	20151112	250HR SERVICE	20151122
100-LD-018	R2900/G LOADER DAILY SERVICE	20151111	R2900/G LOADER DAILY SERVICE	20151202
100-LD-018	R2900/G LOADER DAILY SERVICE	20151104	R2900/G LOADER DAILY SERVICE	20151113
100-LD-018	Loader wouldnt start	20151029	Loader wouldnt start	20151113
100-LD-018	R2900/G LOADER DAILY SERVICE	20151028	R2900/G LOADER DAILY SERVICE	20151113
100-LD-018	100-LD-018 HOUR BASED SERVICE	20151021	2000HR SERVICE	20151027
100-LD-018	R2900/G LOADER DAILY SERVICE	20151021	R2900/G LOADER DAILY SERVICE	20151027
100-LD-018	R2900/G LOADER DAILY SERVICE	20151014	R2900/G LOADER DAILY SERVICE	20151027
100-LD-018	R2900/G LOADER DAILY SERVICE	20151007	R2900/G LOADER DAILY SERVICE	20151021
100-LD-018	JESSE McKAY - OIL LEAK REPAIRS	20151006	JESSE McKAY - OIL LEAK REPAIRS	20151027
100-LD-018	Replace blown Ride control hose	20151006	Replace blown Ride control hose	20151020
100-LD-018	Ride Control accumulator leak	20151006	Ride Control accumulator leak	20151020
100-LD-018	REPLACE AIR CLEANER	20151002	REPLACE AIR CLEANER	20151013
100-LD-018	Replace a/c Mount plate	20151002	Replace a/c Mount plate	20151020
100-LD-018	R2900/G LOADER DAILY SERVICE	20150930	R2900/G LOADER DAILY SERVICE	20151020
100-LD-018	REPLACE WORN OUT GET	20150930	REPLACE WORN OUT GET	20151020
100-LD-018	A/C SYTEM REPAIRS	20150929	A/C SYTEM REPAIRS	20151020
100-LD-018	REPLACE BOTH LIFT CYLINDERS	20150928	REPLACE BOTH LIFT CYLINDERS	20151021
100-LD-018	100-LD-018 HOUR BASED SERVICE	20150924	250HR SERVICE	20151021
100-LD-018	REPLACE POS 1 TYRE	20150923	REPLACE POS 1 TYRE	20151020
100-LD-018	R2900/G LOADER DAILY SERVICE	20150923	R2900/G LOADER DAILY SERVICE	20151020
100-LD-018	Repair split fuel tank (damage)	20150922	Repair split fuel tank (damage)	20151020
100-LD-018	R2900/G LOADER DAILY SERVICE	20150916	R2900/G LOADER DAILY SERVICE	20150929
100-LD-018	A/C COMPRESSOR BELT LOOSE	20150910	A/C COMPRESSOR BELT LOOSE	20150923
100-LD-018	R2900/G LOADER DAILY SERVICE	20150909	R2900/G LOADER DAILY SERVICE	20150922
100-LD-018	drive shaft bolts broken	20150909	drive shaft bolts broken	20150923
100-LD-018	Noisy boom when lifting	20150907	Noisy boom when lifting	20150914
100-LD-018	Replace hydraulic filler cap	20150907	Replace hydraulic filler cap	20150914
100-LD-018	REPLACE POS 4 FLAT TYRE (DAMAGE )	20150904	REPLACE POS 4 FLAT TYRE (DAMAGE )	20150914
100-LD-018	100-LD-018 HOUR BASED SERVICE	20150902	500HR SERVICE	20150908
100-LD-018	R2900/G LOADER DAILY SERVICE	20150902	R2900/G LOADER DAILY SERVICE	20150922
100-LD-018	R2900/G LOADER DAILY SERVICE	20150826	R2900/G LOADER DAILY SERVICE	20150923
100-LD-018	BOOM CREEPING	20150826	BOOM CREEPING	20150923
100-LD-018	BROKEN WIRING IN C/HITCH (LIGHTS ECT) -	20150823	BROKEN WIRING IN C/HITCH (LIGHTS ECT)	20150921
100-LD-018	R2900/G LOADER DAILY SERVICE	20150819	R2900/G LOADER DAILY SERVICE	20150923
100-LD-018	R2900/G LOADER DAILY SERVICE	20150812	R2900/G LOADER DAILY SERVICE	20150827
100-LD-018	R2900/G LOADER DAILY SERVICE	20150805	R2900/G LOADER DAILY SERVICE	20150827
100-LD-018	100-LD-018 HOUR BASED SERVICE	20150730	250HR SERVICE	20150805
100-LD-018	REPLACE RADIATOR ASSEMBLY	20150730	REPLACE RADIATOR ASSEMBLY	20150805
100-LD-018	REPLACE TRANSMISSION MOUNTS	20150730	REPLACE TRANSMISSION MOUNTS	20150812
100-LD-018	R2900/G LOADER DAILY SERVICE	20150729	R2900/G LOADER DAILY SERVICE	20150805
100-LD-018	REPLACE FRONT & REAR AXLE ASSEMBLIES	20150728	REPLACE FRONT & REAR AXLE ASSEMBLIES	20150921
100-LD-018	A/C Evaporator, tilt hose, cooling hose	20150728	A/C Evaporator, tilt hose, cooling hose	20150807
100-LD-018	LOW COOLANT LEVEL	20150727	LOW COOLANT LEVEL	20150805
100-LD-018	ENGINE OVER HEATING - RADIATOR BLOCKED -	20150724	ENGINE OVER HEATING - RADIATOR BLOCKED	20150812
100-LD-018	R2900/G LOADER DAILY SERVICE	20150722	R2900/G LOADER DAILY SERVICE	20150807
100-LD-018	R2900/G LOADER DAILY SERVICE	20150715	R2900/G LOADER DAILY SERVICE	20150730
100-LD-018	R2900/G LOADER DAILY SERVICE	20150708	R2900/G LOADER DAILY SERVICE	20150708
100-LD-018	R2900/G LOADER DAILY SERVICE	20150708	R2900/G LOADER DAILY SERVICE	20150730
100-LD-018	100-LD-018 HOUR BASED SERVICE	20150701	1000HR SERVICE	20150715
100-LD-018	R2900/G LOADER DAILY SERVICE	20150701	R2900/G LOADER DAILY SERVICE	20150716
100-LD-018	DAMAGED HAND RAILS ON R/H/S	20150630	DAMAGED HAND RAILS ON R/H/S	20150702
100-LD-018	FRONT LIGHT WIRING DAMAGED - REPAIRED	20150627	FRONT LIGHT WIRING DAMAGED - REPAIRED	20150702
100-LD-018	HAND RAIL SYSTEM NOT WORKING - HAND RAIL	20150627	HAND RAIL SYSTEM NOT WORKING	20150702
100-LD-018	BROKEN SEAT WIRING - WIRING FOR SEAT AIR	20150625	BROKEN SEAT WIRING	20150702
100-LD-018	COOLANT LEAK IN RADIATOR -	20150625	COOLANT LEAK IN RADIATOR	20150702
100-LD-018	R2900/G LOADER DAILY SERVICE	20150624	R2900/G LOADER DAILY SERVICE	20150707
100-LD-018	REPLACE 4X TYRES	20150619	REPLACE 4X TYRES	20150624
100-LD-018	R2900/G LOADER DAILY SERVICE	20150617	R2900/G LOADER DAILY SERVICE	20150707
100-LD-018	SMOKE COMING FROM A/C EVAPORATOR BOX.	20150616	SMOKE COMING FROM A/C EVAPORATOR BOX	20150622
100-LD-018	ENGINE WON'T SHUT OFF - ELEC FAULT.	20150608	ENGINE WON'T SHUT OFF - ELEC FAULT	20150622
100-LD-018	ENGINE WON'T SHUT OFF - ELEC FAULT.	20150608	GTM LABOUR HIRE TO REPAIR FAULT	0
100-LD-018	TEMP REPAIRS TO TOP TRANNY MOUNT.	20150606	TEMP REPAIRS TO TOP TRANNY MOUNT	20150622
100-LD-018	REPLACE TRANSMISSION COIL	20150605	REPLACE TRANSMISSION COIL	20150622
100-LD-018	R2900/G LOADER DAILY SERVICE	20150603	R2900/G LOADER DAILY SERVICE	20150707

100-LD-018	REPAIR A/C NOT WORKING	20150602 REPAIR A/C NOT WORKING	20150622
100-LD-018	STARTER ISOLATOR U/S	20150531 STARTER ISOLATOR U/S	20150602
100-LD-018	100-LD-018 HOUR BASED SERVICE	20150528 250HR SERVICE	20150601
100-LD-018	R2900/G LOADER DAILY SERVICE	20150527 R2900/G LOADER DAILY SERVICE	20150708
100-LD-018	REPLACE BUCKET PINS, BUSHES & SHIMS	20150522 REPLACE BUCKET PINS, BUSHES & SHIMS	20150624
100-LD-018	R2900/G LOADER DAILY SERVICE	20150520 R2900/G LOADER DAILY SERVICE	20150605
100-LD-018	R2900/G LOADER DAILY SERVICE	20150513 R2900/G LOADER DAILY SERVICE	20150527
100-LD-018	R2900/G LOADER DAILY SERVICE	20150506 R2900/G LOADER DAILY SERVICE	20150520
100-LD-018	blown grease hose	20150506 blown grease hose	20150623
100-LD-018	repairs after service 4074154	20150505 repairs after service 4074154	20150507
100-LD-018	repairs after service 4074154	20150505 Bucket repairs	20150506
100-LD-018	100-LD-018 HOUR BASED SERVICE	20150504 500HR SERVICE	20150623
100-LD-018	park brake u/s	20150503 park brake u/s	20150623
100-LD-018	R2900/G LOADER DAILY SERVICE	20150429 R2900/G LOADER DAILY SERVICE	20150512
100-LD-018	alt not charging	20150425 alt not charging	20150505
100-LD-018	R2900/G LOADER DAILY SERVICE	20150422 R2900/G LOADER DAILY SERVICE	20150501
100-LD-018	R&R POS 1 TYRE	20150422 R&R POS 1 TYRE	20150505
100-LD-018	repairs after stope fell in	20150420 repairs after stope fell in	20150429
100-LD-018	Recover from stope at 9020	20150420 Recover from stope at 9020	20150507
100-LD-018	repairs from rock damage	20150420 repairs from rock damage	20150429
100-LD-018	replace air filter	20150420 replace air filter	20150429
100-LD-018	loose bucket pin	20150416 loose bucket pin	20150505
100-LD-018	R2900/G LOADER DAILY SERVICE	20150415 R2900/G LOADER DAILY SERVICE	20150505
100-LD-018	front window broken	20150410 front window broken	20150420
100-LD-018	REPLACEMENT OF HANDRAIL SYSTEM	20150409 REPLACEMENT OF HANDRAIL SYSTEM	20150624
100-LD-018	REMOVE AND REPLACE POS 4 TYRE	20150409 REMOVE AND REPLACE POS 4 TYRE	20150505
100-LD-018	R2900/G LOADER DAILY SERVICE	20150408 R2900/G LOADER DAILY SERVICE	20150420
100-LD-018	REPLACE BLOWN STEER HOSE	20150405 REPLACE BLOWN STEER HOSE	20150415
100-LD-018	A/C BLOWER FAN NOISEY	20150402 A/C BLOWER FAN NOISEY	20150420
100-LD-018	R2900/G LOADER DAILY SERVICE	20150401 R2900/G LOADER DAILY SERVICE	20150410
100-LD-018	bucket position sensor u/s	20150331 bucket position sensor u/s	20150410
100-LD-018	R2900/G LOADER DAILY SERVICE	20150325 R2900/G LOADER DAILY SERVICE	20150410
100-LD-018	seat not pumping up	20150323 seat not pumping up	20150422
100-LD-018	100-LD-018 HOUR BASED SERVICE	20150323 250HR SERVICE	20150420
100-LD-018	R2900/G LOADER DAILY SERVICE	20150318 R2900/G LOADER DAILY SERVICE	20150408
100-LD-018	REPLACE TILT CYLINDER	20150313 REPLACE TILT CYLINDER	20150323
100-LD-018	LOW COOLANT LEVEL @ SP80	20150312 LOW COOLANT LEVEL	20150318
100-LD-018	bucket teeth	20150312 bucket teeth	20150323
100-LD-018	R2900/G LOADER DAILY SERVICE	20150311 R2900/G LOADER DAILY SERVICE	20150421
100-LD-018	seat not pumping up	20150308 seat not pumping up	20150422
100-LD-018	door window	20150308 door window	20150311
100-LD-018	tilt cyl	20150308 tilt cyl	20150313
100-LD-018	drive shaft	20150307 drive shaft	20150313
100-LD-018	R2900/G LOADER DAILY SERVICE	20150304 R2900/G LOADER DAILY SERVICE	20150422
100-LD-018	100-LD-018 HOUR BASED SERVICE	20150303 2000HR SERVICE	20150310
100-LD-018	2000HR SERVICE REPAIRS	20150303 2000HR SERVICE REPAIRS	20150331
100-LD-018	WILL NOT START - ELEC FAULT	20150302 WILL NOT START - ELEC FAULT	20150310
100-LD-018	tiltcylinder guard loose	20150228 tiltcylinder guard loose	20150303
100-LD-018	tiltcylinder guard loose	20150228 tiltcylinder guard loose	20150715
100-LD-018	R2900/G LOADER DAILY SERVICE	20150225 R2900/G LOADER DAILY SERVICE	20150310
100-LD-018	Oil leak in cab	20150218 Oil leak in cab	20150225
100-LD-018	R2900/G LOADER DAILY SERVICE	20150218 R2900/G LOADER DAILY SERVICE	20150310
100-LD-018	Low Coolant/ Engine overheating	20150216 Low Coolant/ Engine overheating	20150225
100-LD-018	R2900/G LOADER DAILY SERVICE	20150211 R2900/G LOADER DAILY SERVICE	20150225
100-LD-018	replace door window	20150209 replace door window	20150407
100-LD-018	hydraulic main relief valve u/s/IMP pump	20150209 hydraulic main relief valve u/s	20150303
100-LD-018	100-LD-018 HOUR BASED SERVICE	20150208 250HR SERVICE	20150212
100-LD-018	REAR DRIVE SHAFT BROKEN BOLTS	20150206 REAR DRIVE SHAFT BROKEN BOLTS	20150225
100-LD-018	oil leak	20150205 oil leak	20150225
100-LD-018	R2900/G LOADER DAILY SERVICE	20150204 R2900/G LOADER DAILY SERVICE	20150225
100-LD-018	replace wiper	20150202 replace wiper	20150203
100-LD-018	refit window x 2	20150129 refit window x 2	20150203
100-LD-018	R2900/G LOADER DAILY SERVICE	20150128 R2900/G LOADER DAILY SERVICE	20150204
100-LD-018	rock stuck in boom	20150128 rock stuck in boom	20150331
100-LD-018	blown steering hoses	20150127 blown steering hoses	20150203
100-LD-018	R2900/G LOADER DAILY SERVICE	20150121 R2900/G LOADER DAILY SERVICE	20150424
100-LD-018	Remove/Repair cracked tilt cylinder	20150121 Remove/Repair cracked tilt cylinder	20150623
100-LD-018	Ride control not working	20150120 Ride control not working	20150623
100-LD-018	front driveline u/s	20150115 front driveline u/s	20150121

100-LD-018	R2900/G LOADER DAILY SERVICE	20150114 R2900/G LOADER DAILY SERVICE	20150121
100-LD-018	REPLACE ALL HEEL SHROUDS	20150114 REPLACE ALL HEEL SHROUDS	20150121
100-LD-018	BOILERMAKER REPAIRS TO BUCKET	20150113 BOILERMAKER REPAIRS TO BUCKET	20150210
100-LD-018	REPLACE LIFT CYLINDERS	20150113 REPLACE LIFT CYLINDERS	20150129
100-LD-018	no throttle	20150113 no throttle	20150121
100-LD-018	seat switch u/s ac belt twisted	20150112 seat switch u/s ac belt twisted	20150113
100-LD-018	park brake	20150109 park brake	20150113
100-LD-018	R2900/G LOADER DAILY SERVICE	20150107 R2900/G LOADER DAILY SERVICE	20150204
100-LD-018	FIT NEW STEERING NEUTRALIZER AND STOP	20150107 FIT NEW STEERING NEUTRALIZER AND STEERIN	20150111
100-LD-018	FIT NEW TRANNY ECM	20150107 FIT NEW TRANNY ECM	20150111
100-LD-018	Park brake not releasing	20150107 Park brake not releasing	20150111
100-LD-018	Replace broken r/h corner GET	20150106 Replace broken r/h corner GET	20150111
100-LD-018	realy u/s on seat belt interlock	20150102 realy u/s on seat belt interlock	20150111
100-LD-018	no gears forward or reverse	20150101 no gears forward or reverse	20150105
100-LD-018	R2900/G LOADER DAILY SERVICE	20141231 R2900/G LOADER DAILY SERVICE	20150108
100-LD-018	DIAGNOSE AND REPAIR INTERLOCK ISSUES	20141230 DIAGNOSE AND REPAIR INTERLOCK ISSUES	20150111
100-LD-018	Seat fault	20141229 Seat fault	20150105
100-LD-018	R2900/G LOADER DAILY SERVICE	20141224 R2900/G LOADER DAILY SERVICE	20150105
100-LD-018	REPLACE POS 2	20141224 REPLACE POS 2	20150105
100-LD-018	100-LD-018 HOUR BASED SERVICE	20141223 500HR SERVICE	20150105
100-LD-018	FIT TABLET SYSTEM	20141223 FIT TABLET SYSTEM	20150105
100-LD-018	FIT TABLET SYSTEM	20141223 GTM LABOUR TO MOUNT TABLET LD-18	0
100-LD-018	replace belts	20141222 replace belts	20150105
100-LD-018	R2900/G LOADER DAILY SERVICE	20141217 R2900/G LOADER DAILY SERVICE	20150106
100-LD-018	REPLACE CRACKED BOOM COLLETS	20141215 REPLACE CRACKED BOOM COLLETS	20150105
100-LD-018	R2900/G LOADER DAILY SERVICE	20141210 R2900/G LOADER DAILY SERVICE	20141230
100-LD-018	R2900/G LOADER DAILY SERVICE	20141203 R2900/G LOADER DAILY SERVICE	20141210
100-LD-018	100-LD-018 HOUR BASED SERVICE	20141127 250HR SERVICE	20141209
100-LD-018	BOOM PIVOT COLLETS CRACKED	20141127 BOOM PIVOT COLLETS CRACKED	20141201
100-LD-018	R2900/G LOADER DAILY SERVICE	20141126 R2900/G LOADER DAILY SERVICE	20141203
100-LD-018	Tilt cyl hose damaged	20141126 Tilt cyl hose damaged	20141202
100-LD-018	REPLACE BROKEN FITTING	20141124 REPLACE BROKEN FITTING	20141125
100-LD-018	replace pos 2 flat	20141124 replace pos 2 flat	20141124
100-LD-018	R2900/G LOADER DAILY SERVICE	20141119 R2900/G LOADER DAILY SERVICE	20141202
100-LD-018	Replace tilt cylinder hose	20141119	20141120
100-LD-018	brake fault	20141118 brake fault	20141120
100-LD-018	DIAGNOSE BRAKE ISSUES	20141117 DIAGNOSE BRAKE ISSUES 9113	20141123
100-LD-018	Brake pump low pressure	20141113 Brake pump low pressure	20141117
100-LD-018	P/brake comming on	20141113 P/brake comming on	20141124
100-LD-018	R2900/G LOADER DAILY SERVICE	20141112 R2900/G LOADER DAILY SERVICE	20141120
100-LD-018	REPLACE BROKEN GREASE LINES AND GREASE	20141111 REPLACE BROKEN GREASE LINES AND GREASE	20141117
100-LD-018	replace fire extinguisher	20141110 replace fire extinguisher	20141116
100-LD-018	DIFF COOLER LEAKING	20141106 DIFF COOLER LEAKING	20141112
100-LD-018	100-LD-018 HOUR BASED SERVICE	20141106 1000HR SERVICE	20141112
100-LD-018	R2900/G LOADER DAILY SERVICE	20141105 R2900/G LOADER DAILY SERVICE	20141112
100-LD-018	FRABRICATE AND WELD ON BOTTOM STEP8961HR	20141103 FRABRICATE AND WELD ON BOTTOM STEP8961HR	20141105
100-LD-018	no forward or reverse	20141031 no forward or reverse	20141105
100-LD-018	R2900/G LOADER DAILY SERVICE	20141029 R2900/G LOADER DAILY SERVICE	20141105
100-LD-018	R2900/G LOADER DAILY SERVICE	20141022 R2900/G LOADER DAILY SERVICE	20141103
100-LD-018	front pinion seal and yoke	20141020 front pinion seal and yoke	20141028
100-LD-018	Bucket teeth u/s	20141019 Bucket teeth u/s	20141019
100-LD-018	oil leak	20141019 oil leak	20141019
100-LD-018	Not starting	20141017 Not starting	20141019
100-LD-018	R2900/G LOADER DAILY SERVICE	20141015 R2900/G LOADER DAILY SERVICE	20141022
100-LD-018	100-LD-018 HOUR BASED SERVICE	20141011 250HR SERVICE	20141015
100-LD-018	R2900/G LOADER DAILY SERVICE	20141008 R2900/G LOADER DAILY SERVICE	20141015
100-LD-018	REPLACE L/H CORNER BUCKET TOOTH	20141003 REPLACE L/H CORNER BUCKET TOOTH	20141009
100-LD-018	retorque pos 3	20141002 retorque pos 3	20141202
100-LD-018	replace pos 3 tyre	20141001 replace pos 3 tyre	20141009
100-LD-018	REMOVE AND REPLACE POS 1	20140929 REMOVE AND REPLACE POS 1	20141009
100-LD-018	R2900/G LOADER DAILY SERVICE	20140926 R2900/G LOADER DAILY SERVICE	20141009
100-LD-018	faulty 2 way	20140924 faulty 2 way	20140929
100-LD-018	R2900/G LOADER DAILY SERVICE	20140924 R2900/G LOADER DAILY SERVICE	20141002
100-LD-018	Repair fuel leak	20140923 Repair fuel leak	20140929
100-LD-018	seat fault	20140923 seat fault	20140929
100-LD-018	R2900/G LOADER DAILY SERVICE	20140917 R2900/G LOADER DAILY SERVICE	20141009
100-LD-018	water pump u/s	20140917 water pump u/s	20141020
100-LD-018	100-LD-018 HOUR BASED SERVICE	20140916 500HR SERVICE	20141019
100-LD-018	SHIM BUCKET ASSEMBLY	20140916 SHIM BUCKET ASSEMBLY	20141019



100-LD-018	repair leaking cooler pack	20140915 repair leaking cooler pack	20140916
100-LD-018	fuel leak	20140912 fuel leak	20140929
100-LD-018	R2900/G LOADER DAILY SERVICE	20140910 R2900/G LOADER DAILY SERVICE	20141009
100-LD-018	REPAIR AIR LEAK ON SEAT AIR BAG	20140910 REPAIR AIR LEAK ON SEAT AIR BAG	20141009
100-LD-018	blown oring on steering control in cab	20140905 blown oring on steering control in cab	20140923
100-LD-018	R2900/G LOADER DAILY SERVICE	20140903 R2900/G LOADER DAILY SERVICE	20141009
100-LD-018	seat belt u/s	20140902 seat belt u/s	20140923
100-LD-018	fit tilt cyl vavles & change cyl	20140902 fit tilt cyl vavles	20141009
100-LD-018	R2900/G LOADER DAILY SERVICE	20140827 R2900/G LOADER DAILY SERVICE	20140923
100-LD-018	REPLACE POS 4 TYRE	20140827 REPLACE POS 4 TYRE	20140929
100-LD-018	align lh side boom pin & tension	20140825 align lh side boom pin & tension	20141008
100-LD-018	DIAGNOSE AND REPAIR HYD ISSUES	20140825 DIAGNOSE AND REPAIR HYD ISSUES	20140825
100-LD-018	swing lever fault	20140822 swing lever fault	20140929
100-LD-018	NOISET Z LINK PIN	20140821 NOISET Z LINK PIN	20140929
100-LD-018	R2900/G LOADER DAILY SERVICE	20140820 R2900/G LOADER DAILY SERVICE	20141009
100-LD-018	REPLACE SWING LEVER	20140814 REPLACE SWING LEVER	20140825
100-LD-018	R2900/G LOADER DAILY SERVICE	20140813 R2900/G LOADER DAILY SERVICE	20140923
100-LD-018	100-LD-018 HOUR BASED SERVICE	20140812 250HR SERVICE	20140903
100-LD-018	replace pos 1&2 tyres	20140811 replace pos 1&2 tyres	20140923
100-LD-018	Air filter restriction light on	20140811 Air filter restriction light on	20140812
100-LD-018	replace rh side lift cyl hoses	20140811 replace rh side lift cyl hoses	20140812
100-LD-018	replace get	20140807 replace get	20140812
100-LD-018	R2900/G LOADER DAILY SERVICE	20140806 R2900/G LOADER DAILY SERVICE	20140903
100-LD-018	fit new seat	20140804 fit new seat	20140915
100-LD-018	R2900/G LOADER DAILY SERVICE	20140730 R2900/G LOADER DAILY SERVICE	20140915
100-LD-018	Replace blower fan	20140729 Replace blower fan	20140915
100-LD-018	Replace flat tyre	20140729 Replace flat tyre	20140731
100-LD-018	R2900/G LOADER DAILY SERVICE	20140723 R2900/G LOADER DAILY SERVICE	20140731
100-LD-018	broken hand rail	20140723 braken hand rail	20140731
100-LD-018	losing coms in stope	20140722 losing coms in stope	20141103
100-LD-018	Repair damaged front door.	20140722 Repair damaged front door.	20140731
100-LD-018	boom lights	20140721 boom lights	20140728
100-LD-018	TRANSMISSION NOT SELECTING GEARS	20140721 CHANGE SOLENIOD	20140728
100-LD-018	flat pos 1	20140721 flat pos 1	20140728
100-LD-018	R2900/G LOADER DAILY SERVICE	20140716 R2900/G LOADER DAILY SERVICE	20140721
100-LD-018	Repair Rock damage (Darren Muldoon)	20140716 Repair Rock damage (Darren Muldoon)	20140716
100-LD-018	disparity fault pin07	20140714 change remote antena cables	0
100-LD-018	disparity fault pin07	20140714 disparity fault pin07	20141029
100-LD-018	R2900/G LOADER DAILY SERVICE	20140709 R2900/G LOADER DAILY SERVICE	20141106
100-LD-018	R2900/G LOADER DAILY SERVICE	20140702 R2900/G LOADER DAILY SERVICE	20140714
100-LD-018	100-LD-018 HOUR BASED SERVICE	20140626 250HR SERVICE	20140915
100-LD-018	R2900/G LOADER DAILY SERVICE	20140625 R2900/G LOADER DAILY SERVICE	20140915
100-LD-018	R2900/G LOADER DAILY SERVICE	20140618 R2900/G LOADER DAILY SERVICE	20140915
100-LD-018	REPLACED DAMAGED BOLTS AND D-RING ON CYL	20140613 REPLACED DAMAGED BOLTS AND D-RING ON CYL	20140623
100-LD-018	R2900/G LOADER DAILY SERVICE	20140611 R2900/G LOADER DAILY SERVICE	20140915
100-LD-018	disable remotes barrier for LOS	20140605 disable remotes barrier for LOS	20141029
100-LD-018	R2900/G LOADER DAILY SERVICE	20140604 R2900/G LOADER DAILY SERVICE	20140915
100-LD-018	Front cabin window u/s	20140603 Front cabin window u/s	20140609
100-LD-018	Front lights not working	20140602 Front lights not working	20140609
100-LD-018	Blown steer cyl hose	20140529 Blown steer cyl hose	20140609
100-LD-018	R2900/G LOADER DAILY SERVICE	20140528 R2900/G LOADER DAILY SERVICE	20140623
100-LD-018	A/C Not Cold	20140528 A/C Not Cold	20140609
100-LD-018	blown tilt cylinder hose	20140528 blown tilt cylinder hose	20140623
100-LD-018	pos1 tyre slow leak	20140526 pos1 tyre slow leak	20140527
100-LD-018	Alter rear camera bracket to suit new ca	20140526 Alter rear camera bracket to suit new ca	20141029
100-LD-018	REPAIR AND REFIT CAMERA BRACKETS	20140526 REPAIR AND REFIT CAMERA BRACKETS	20141125
100-LD-018	ROCK INTREAD OF POS 4	20140523 ROCK INTREAD OF POS 4	20140612
100-LD-018	R2900/G LOADER DAILY SERVICE	20140521 R2900/G LOADER DAILY SERVICE	20140612
100-LD-018	not starting	20140519 not starting	20140527
100-LD-018	DIAGNOSE AND REPAIR OIL LEAK 7464HRS	20140519 DIAGNOSE AND REPAIR OIL LEAK 7464	20140527
100-LD-018	DIAGNOSE AND REPAIR SEATBELT ISSUE7478HR	20140519 DIAGNOSE AND REPAIR SEATBELT ISSUE7478HR	20140527
100-LD-018	Machine Not Starting	20140519 Machine Not Starting	20140527
100-LD-018	Repair aerial on Loader 18	20140515 Repair aerial on Loader 18	20141029
100-LD-018	R2900/G LOADER DAILY SERVICE	20140514 R2900/G LOADER DAILY SERVICE	20140612
100-LD-018	R2900/G LOADER DAILY SERVICE	20140507 R2900/G LOADER DAILY SERVICE	20140612
100-LD-018	rEPLACE HOSES IN ENGINE BAY	20140507 rEPLACE HOSES IN ENGINE BAY	20140519
100-LD-018	REPAIR LEAKING HEAD GKT & RR STRUCTURE	20140507 REPAIR LEAKING HEAD GKT & RR STRUCTURE	20140612
100-LD-018	REPAIR LEAKING HEAD GKT & RR STRUCTURE	20140507 GOODWILL WARRANTY REAR STRUCTURE	0
100-LD-018	R2900/G LOADER DAILY SERVICE	20140430 R2900/G LOADER DAILY SERVICE	20140612

100-LD-018	R2900/G LOADER DAILY SERVICE	20140423 R2900/G LOADER DAILY SERVICE	20140612
100-LD-018	REMOVE & INSTALL NEW G.E.T	20140422 REMOVE & INSTALL NEW G.E.T	20140501
100-LD-018	REPLACE REAR DIFF PINOIN SEAL LEAKING	20140419 REPLACE REAR DIFF PINOIN SEAL LEAKING	20140623
100-LD-018	R2900/G LOADER DAILY SERVICE	20140416 R2900/G LOADER DAILY SERVICE	20140501
100-LD-018	R2900/G LOADER DAILY SERVICE	20140409 R2900/G LOADER DAILY SERVICE	20140501
100-LD-018	REPLACE ALL FOUR WHEELENDS	20140407 REPLACE ALL FOUR WHEELENDS	20140410
100-LD-018	r&r pos 2	20140407 r&r pos 2	20140522
100-LD-018	Brake Issues	20140404 Brake Issues	20140522
100-LD-018	R2900/G LOADER DAILY SERVICE	20140402 R2900/G LOADER DAILY SERVICE	20140501
100-LD-018	Broken Hydraulic site glass	20140401 Broken Hydraulic site glass	20140522
100-LD-018	100-LD-018 HOUR BASED SERVICE	20140401 250HR SERVICE	20140407
100-LD-018	tranny over heating	20140328 tranny over heating	20140522
100-LD-018	R2900/G LOADER DAILY SERVICE	20140326 R2900/G LOADER DAILY SERVICE	20140407
100-LD-018	adjusted loose alt belt	20140320 No start	20140321
100-LD-018	R2900/G LOADER DAILY SERVICE	20140319 R2900/G LOADER DAILY SERVICE	20140407
100-LD-018	REPLACED U/S A/C COMPRESSOR 7162	20140317 REPLACED U/S A/C COMPRESSOR 7162	20140407
100-LD-018	R2900/G LOADER DAILY SERVICE	20140312 R2900/G LOADER DAILY SERVICE	20140407
100-LD-018	boili work	20140311 boili work	20140320
100-LD-018	R2900/G LOADER DAILY SERVICE	20140305 R2900/G LOADER DAILY SERVICE	20140320
100-LD-018	low power	20140304 low power	20140320
100-LD-018	REPLACE POS 4 WHEELEND	20140303 REPLACE POS 4 WHEELEND	20140320
100-LD-018	DOOR STRUTT MISSING	20140303 DOOR STRUTT MISSING	20140407
100-LD-018	REPLACED THERMOSTATS AND CHECK HEAT ISSU	20140227 REPLACED THERMOSTATS AND CHECK HEAT ISSU	20140320
100-LD-018	Replace Transmission Breather	20140227 Replace Transmission Breather	20140320
100-LD-018	Transmission overheating	20140227 Transmission overheating	20140501
100-LD-018	overheating engine	20140226 overheating engine	20140317
100-LD-018	Replace blown cooler pipe	20140224 Replace blown cooler pipe	20140317
100-LD-018	R2900/G LOADER DAILY SERVICE	20140219 R2900/G LOADER DAILY SERVICE	20140317
100-LD-018	Replace 3/4 window on cab	20140219 Replace 3/4 window on cab	20140320
100-LD-018	oil leak	20140213 oil leak	20140320
100-LD-018	R2900/G LOADER DAILY SERVICE	20140212 R2900/G LOADER DAILY SERVICE	20140317
100-LD-018	Cracked fuel tank	20140211 Cracked fuel tank	20140219
100-LD-018	CRACK IN FUEL TANK	20140211 CRACK IN FUEL TANK	20140320
100-LD-018	re-torque pos 1 and 2 tyres	20140211 re-torque pos 1 and 2 tyres	20140320
100-LD-018	remove u/s tranny cooler lines	20140210 remove u/s tranny cooler lines	20140320
100-LD-018	remove u/s tranny cooler	20140210 remove u/s tranny cooler	20140627
100-LD-018	remove u/s tranny cooler lines	20140210 remove u/s tranny cooler lines	20140320
100-LD-018	R2900/G LOADER DAILY SERVICE	20140206 R2900/G LOADER DAILY SERVICE	20140320
100-LD-018	R2900/G LOADER DAILY SERVICE	20140205 R2900/G LOADER DAILY SERVICE	20140320
100-LD-018	REPLACE LIFT & TILT CYLINDERS	20140205 REPLACE LIFT & TILT CYLINDERS	20140320
100-LD-018	NO START ISSUES	20140203 NO START ISSUES	20140221
100-LD-018	100-LD-018 HOUR BASED SERVICE	20140131 1000HR SERVICE	20140221
100-LD-018	OIL COOLER LEAKING	20140129 OIL COOLER LEAKING	20140210
100-LD-018	Oil leak	20140129 Oil leak	20140404
100-LD-018	Replace L/H Lift cylinder hoses	20140128 Replace L/H Lift cylinder hoses	20140404
100-LD-018	REPLACE STEER PILOT CONTROL VALVE	20140128 REPLACE STEER PILOT CONTROL VALVE	20140404
100-LD-018	re-tension bucket pins and dog bone	20140127 re-tension bucket pins and dog bone	20140224
100-LD-018	OIL LEAK UNDER BOOM	20140126 OIL LEAK UNDER BOOM	20140224
100-LD-018	R2900/G LOADER DAILY SERVICE	20140122 R2900/G LOADER DAILY SERVICE	20140404
100-LD-018	replace tilt head relief valve	20140120 replace tilt head relief valve	20140224
100-LD-018	assist fitters with problem.	20140120 assist fitters with problem.	20140120
100-LD-018	REPLACE STEER VALVE	20140120 REPLACE STEER VALVE	20140224
100-LD-018	put cameras on and test.	20140120 put cameras on and test.	20140120
100-LD-018	OIL LEAK IN DOOR	20140118 OIL LEAK IN DOOR	20140224
100-LD-018	R2900/G LOADER DAILY SERVICE	20140115 R2900/G LOADER DAILY SERVICE	20140224
100-LD-018	BUCKET IS WORN OUT	20140114 BUCKET IS WORN OUT	20140224
100-LD-018	BUCKET IS WORN OUT	20140114 TRANSPORT LOADER BUCKET TO NYNGAN	0
100-LD-018	broken grease lines	20140113 broken grease lines	20140115
100-LD-018	100-LD-018 HOUR BASED SERVICE	20140110 250HR SERVICE	20140221
100-LD-018	replace G.E.T corner rh	20140110 replace G.E.T corner rh	20140115
100-LD-018	R2900/G LOADER DAILY SERVICE	20140108 R2900/G LOADER DAILY SERVICE	20140224
100-LD-018	WEAR SKIN IN BUCKET LIFTING UP 6633 HRS	20140102 WEAR SKIN IN BUCKET LIFTING UP 6633 HRS	20140123
100-LD-018	R2900/G LOADER DAILY SERVICE	20140101 R2900/G LOADER DAILY SERVICE	20140115
100-LD-018	replace high speed shaft	20131230 replace high speed shaft	20140110
100-LD-018	REPLACED POS 3 TYRE	20131227 REPLACED POS 3 TYRE	20140115
100-LD-018	R2900/G LOADER DAILY SERVICE	20131225 R2900/G LOADER DAILY SERVICE	20140110
100-LD-018	P/brake comming on	20131224 P/brake comming on	20140110
100-LD-018	100-LD-018 HOUR BASED SERVICE	20131223 500HR SERVICE	20140115
100-LD-018	OIL LEAK	20131223 OIL LEAK	20140110

100-LD-018	replace G.E.T corner	20131219 replace G.E.T corner	20140110
100-LD-018	Replace Bucket G.E.T	20131219 Replace	20140110
100-LD-018	Replace out of focus front camera	20131219 Replace out of focus front camera	20131219
100-LD-018	R2900/G LOADER DAILY SERVICE	20131218 R2900/G LOADER DAILY SERVICE	20140110
100-LD-018	REPLACED MISSING 1/4 WINDOW	20131216 REPLACED MISSING 1/4 WINDOW	20131218
100-LD-018	Replacement of front camera no picture	20131216 Replacement of front camera no picture	20131219
100-LD-018	r & r blown oring on steering valve	20131212 r & r blown oring on steering valve	20140102
100-LD-018	R2900/G LOADER DAILY SERVICE	20131211 R2900/G LOADER DAILY SERVICE	20140110
100-LD-018	Replaced Front Camera	20131211 Replaced Front Camera	20131211
100-LD-018	REPLACED ARTIC SHATF UNI'S	20131210 REPLACED ARTIC SHATF UNI'S	20131210
100-LD-018	R2900/G LOADER DAILY SERVICE	20131209 R2900/G LOADER DAILY SERVICE	20140221
100-LD-018	oil leak in cab & bucket tooth missing	20131206 oil leak in cab & bucket tooth missing	20131212
100-LD-018	R2900/G LOADER DAILY SERVICE	20131204 R2900/G LOADER DAILY SERVICE	20140102
100-LD-018	Front camera no signal	20131203 Front camera no signal	20131211
100-LD-018	Rear camera upside down.	20131202 Rear camera upside down.	20131211
100-LD-018	Tension boom pins	20131202 Tension boom pins	20131212
100-LD-018	R2900/G LOADER DAILY SERVICE	20131127 R2900/G LOADER DAILY SERVICE	20131212
100-LD-018	install remote Transmitter and aerials	20131127 install remote Transmitter and aerials	20131127
100-LD-018	steer joystick fault	20131125 steer joystick fault	20131209
100-LD-018	100-LD-018 HOUR BASED SERVICE	20131123 250HR SERVICE	20131209
100-LD-018	R2900/G LOADER DAILY SERVICE	20131120 R2900/G LOADER DAILY SERVICE	20131209
100-LD-018	repair hyd oil leak	20131118 repair hyd oil leak	20131209
100-LD-018	REPLACED REMOTE STEERING COILS	20131118 REPLACED REMOTE STEERING COILS	20140123
100-LD-018	LHD 18 not turning left properly. please	20131116 LHD 18 not turning left properly. please	20131117
100-LD-018	Replace Remote Camera (Front)	20131115 Replace Remote Camera (Front)	20131116
100-LD-018	REPLACE BLOWN STEERING HOSE L18	20131115 REPLACE BLOWN STEERING HOSE L18	20131117
100-LD-018	Replace leaking tilt pipe	20131114 Replace leaking tilt pipe	20131115
100-LD-018	R2900/G LOADER DAILY SERVICE	20131113 R2900/G LOADER DAILY SERVICE	20140110
100-LD-018	REPLACE 3 LEAKING HYD HOSES	20131108 REPLACE 3 LEAKING HYD HOSES	20140115
100-LD-018	R2900/G LOADER DAILY SERVICE	20131106 R2900/G LOADER DAILY SERVICE	20131121
100-LD-018	RH cnr tooth broke	20131103 RH cnr tooth broke	20131103
100-LD-018	P/Brake comming on	20131031 P/Brake comming on	20150630
100-LD-018	REPAIR COOLANT LEAKING FROM CORE	20131031 REPAIR COOLANT LEAKING FROM CORE	20150917
100-LD-018	LH CNR TOOTH MISSING	20131028 LH CNR TOOTH MISSING	20140113
100-LD-018	R2900/G LOADER DAILY SERVICE	20131023 R2900/G LOADER DAILY SERVICE	20131030
100-LD-018	Repaired Earth Strap	20131023 Repaired Earth Strap	20131024
100-LD-018	R2900/G LOADER DAILY SERVICE	20131017 R2900/G LOADER DAILY SERVICE	20140110
100-LD-018	boom pin creek and fit hand rails	20131017 boom pin creek and fit hand rails	20131018
100-LD-018	R2900/G LOADER DAILY SERVICE	20131016 R2900/G LOADER DAILY SERVICE	20131024
100-LD-018	100-LD-018 HOUR BASED SERVICE	20131015 2000HR SERVICE	20140110
100-LD-018	replace broken 1/4 windows	20131014 replace broken 1/4 windows	20140110
100-LD-018	R2900/G LOADER DAILY SERVICE	20131009 R2900/G LOADER DAILY SERVICE	20131017
100-LD-018	overheating	20131008 overheating	20131010
100-LD-018	R2900/G LOADER DAILY SERVICE	20131002 R2900/G LOADER DAILY SERVICE	20131010
100-LD-018	blown steer hose on lh side	20130930 blown steer hose on lh side	20131009
100-LD-018	Engine shutting down	20130930 Engine shutting down	20131009
100-LD-018	R2900/G LOADER DAILY SERVICE	20130925 R2900/G LOADER DAILY SERVICE	20131010
100-LD-018	Disparity pin 25 fault on LHD 18	20130922 Disparity pin 25 fault on LHD 18	20130922
100-LD-018	set up remotes on Lhd18 and test	20130916 set up remotes on Lhd18 and test	20130918
100-LD-018	REPLACE LEAKING LIFT CYLINDER	20130913 REPLACE LEAKING LIFT CYLINDER	20131009
100-LD-018	REPLACE LEAKING CONVERTOR UPDRIVE	20130912 REPLACE LEAKING CONVERTOR UPDRIVE HOSES	20130913
100-LD-018	R2900/G LOADER DAILY SERVICE	20130911 R2900/G LOADER DAILY SERVICE	20131009
100-LD-018	100-LD-018 HOUR BASED SERVICE	20130910 250HR SERVICE	20131001
100-LD-018	R2900/G LOADER DAILY SERVICE	20130904 R2900/G LOADER DAILY SERVICE	20131001
100-LD-018	R&R POS 2 CUT SIDE WALL	20130902 R&R POS 2 CUT SIDE WALL	20130920
100-LD-018	REPLACE WIPER MOTOR.	20130902 REPLACE WIPER MOTOR.	20131009
100-LD-018	replace pos 1&2 due to wrong size	20130902 replace pos 1&2 due to wrong size	20130925
100-LD-018	POS 2 HAS DEEP CUT ON INSIDE WALL	20130831 POS 3 HAS DEEP CUT ON INSIDDE WALL	20130920
100-LD-018	R2900/G LOADER DAILY SERVICE	20130828 R2900/G LOADER DAILY SERVICE	20130925
100-LD-018	REPLACE CONVERTOR MOUNTS	20130828 REPLACE CONVERTOR MOUNTS	20130924
100-LD-018	DRAIN ALL WHEEL ENDS & DIFFS REPAIRS.	20130826 DRAIN ALL WHEEL ENDS & DIFFS REPAIRS.	20130926
100-LD-018	R2900/G LOADER DAILY SERVICE	20130821 R2900/G LOADER DAILY SERVICE	20130926
100-LD-018	Damage to front lights and wiring	20130820 Damage to front lights and wiring	20130828
100-LD-018	R2900/G LOADER DAILY SERVICE	20130814 R2900/G LOADER DAILY SERVICE	20130828
100-LD-018	Pos 3 tyre blow out	20130814 Pos 3 tyre blow out	20130828
100-LD-018	REPLACED ARTIC DRIVE LINE	20130813 REPLACED ARTIC DRIVE LINE	20130816
100-LD-018	R2900/G LOADER DAILY SERVICE	20130807 R2900/G LOADER DAILY SERVICE	20131001
100-LD-018	R2900/G LOADER DAILY SERVICE	20130806 R2900/G LOADER DAILY SERVICE	20131009
100-LD-018	Engine shutting down	20130805 Engine shutting down	20130821

100-LD-018	R2900/G LOADER DAILY SERVICE	20130731 R2900/G LOADER DAILY SERVICE	20130828
100-LD-018	GET WORN OUT REPLACED FULL SET	20130729 GET WORN OUT REPLACED FULL SET	20130807
100-LD-018	Repaced blown fuel hose	20130728 Repaced blown fuel hose	20130807
100-LD-018	100-LD-018 HOUR BASED SERVICE	20130727 500HR SERVICE	20130807
100-LD-018	R2900/G LOADER DAILY SERVICE	20130724 R2900/G LOADER DAILY SERVICE	20131001
100-LD-018	a/c inop	20130724 a/c inop	20130820
100-LD-018	Replace leaking fuel lines	20130722 Replace leaking fuel lines	20130925
100-LD-018	Fit Handrail system	20130716 Fit Handrail system	20130718
100-LD-018	R2900/G LOADER DAILY SERVICE	20130710 R2900/G LOADER DAILY SERVICE	20130730
100-LD-018	A/C BLOWER FAN U/S	20130704 A/C BLOWER FAN U/S	20130726
100-LD-018	R2900/G LOADER DAILY SERVICE	20130703 R2900/G LOADER DAILY SERVICE	20130729
100-LD-018	Check starter isolator for fitters	20130626 Check starter isolator for fitters	20130626
100-LD-018	R2900/G LOADER DAILY SERVICE	20130626 R2900/G LOADER DAILY SERVICE	20130729
100-LD-018	DIAGNOSE AND REPAIR START FAULT	20130624 DIAGNOSE AND REPAIR START FUALT	20130627
100-LD-018	100-LD-018 HOUR BASED SERVICE	20130621 250HR SERVICE	20130627
100-LD-018	R2900/G LOADER DAILY SERVICE	20130619 R2900/G LOADER DAILY SERVICE	20130703
100-LD-018	LOST GEARS	20130619	20130622
100-LD-018	HYDRAULIC OIL LEAK FROM TILT HOSE ,	20130617 HYDRAULIC OIL LEAK FROM TILT HOSE ,	20140501
100-LD-018	oil leak	20130614 oil leak	20130628
100-LD-018	R2900/G LOADER DAILY SERVICE	20130612 R2900/G LOADER DAILY SERVICE	20130627
100-LD-018	REPLACE TILT CYLINDER ASSEMBLY	20130611 REPLACE TILT CYLINDER ASSEMBLY	20130614
100-LD-018	gear selection fault	20130611 gear selection fault	20130613
100-LD-018	Coolant Leak	20130610 Collant Leak	20130627
100-LD-018	PARK BRAKE WON'T RELEASE	20130606 PARK BRAKE WON'T RELEASE	20130613
100-LD-018	flat pos 1 tyre	20130606 flat pos 1 tyre	20130613
100-LD-018	R2900/G LOADER DAILY SERVICE	20130605 R2900/G LOADER DAILY SERVICE	20130614
100-LD-018	park brake wont release	20130604 park brake wont release	20130613
100-LD-018	P/brake not releasing	20130604 P/brake not releasing	20130613
100-LD-018	R2900/G LOADER DAILY SERVICE	20130601 R2900/G LOADER DAILY SERVICE	20131001
100-LD-018	LOW BRAKE ACCUMULATOR ALARM SOUNDING	20130531 LOW BRAKE ACCUMULATOR ALARM SOUNDING	20130613
100-LD-018	replace pos 2 tyre	20130530 replace pos 2 tyre	20130612
100-LD-018	R2900/G LOADER DAILY SERVICE	20130529 R2900/G LOADER DAILY SERVICE	20130614
100-LD-018	replace steering pump	20130527 replace steering pump	20130611
100-LD-018	R2900/G LOADER DAILY SERVICE	20130522 R2900/G LOADER DAILY SERVICE	20130612
100-LD-018	100-LD-018 HOUR BASED SERVICE	20130520 1000HR SERVICE	20130528
100-LD-018	REPLACE BROKEN LIFT CYLINDER TUBE	20130514 REPLACE BROKEN LIFT CYLINDER TUBE	20130612
100-LD-018	R2900/G LOADER DAILY SERVICE	20130508 R2900/G LOADER DAILY SERVICE	20130611
100-LD-018	replaced broken flushing fitting on l.h	20130508 replaced broken fitting l/h wheelend	20130603
100-LD-018	R2900/G LOADER DAILY SERVICE	20130501 R2900/G LOADER DAILY SERVICE	20130527
100-LD-018	R2900/G LOADER DAILY SERVICE	20130424 R2900/G LOADER DAILY SERVICE	20130527
100-LD-018	3 MONTHLY REMOTE CONTROL SERVICING	20130418 3 MONTHLY REMOTE CONTROL SERVICING	20130501
100-LD-018	R2900/G LOADER DAILY SERVICE	20130417 R2900/G LOADER DAILY SERVICE	20130515
100-LD-018	replace top radiator hose (leaking)	20130416 replace top radiator hose (leaking)	20130516
100-LD-018	R2900/G LOADER DAILY SERVICE	20130413 R2900/G LOADER DAILY SERVICE	20130611
100-LD-018	FIND BATTERY LIGHT FAULT	20130412 FIND BATTERY LIGHT FAULT	20130516
100-LD-018	R2900/G LOADER DAILY SERVICE	20130410 R2900/G LOADER DAILY SERVICE	20130516
100-LD-018	bucket teeth worn out	20130407 bucket teeth worn out	20130530
100-LD-018	Repairs to 2 way antenna	20130405 Repairs to 2 way antenna	20130405
100-LD-018	R2900/G LOADER DAILY SERVICE	20130403 LABOUR HIRE 8-11/4/2013 DION	0
100-LD-018	R2900/G LOADER DAILY SERVICE	20130403 R2900/G LOADER DAILY SERVICE	20130626
100-LD-018	250 HOUR SERVICE	20130402 250 HOUR SERVICE	20130528
100-LD-018	low charge pressure	20130402 low charge pressure	20130602
100-LD-018	low charge pressure	20130402 ATLAS LABOUR HIRE 9-11/04/2013	0
100-LD-018	100-LD-018 HOUR BASED SERVICE	20130330 500HR SERVICE	20130527
100-LD-018	R2900/G LOADER DAILY SERVICE	20130327 R2900/G LOADER DAILY SERVICE	20130528
100-LD-018	R2900/G LOADER DAILY SERVICE	20130320 R2900/G LOADER DAILY SERVICE	20130528
100-LD-018	R2900/G LOADER DAILY SERVICE	20130313 R2900/G LOADER DAILY SERVICE	20130517
100-LD-018	R2900/G LOADER DAILY SERVICE	20130306 R2900/G LOADER DAILY SERVICE	20130603
100-LD-018	replace missing l/h corner tooth	20130305 replace missing l/h corner tooth	20130602
100-LD-018	blown hose	20130304 blown hose	20130602
100-LD-018	Transmission overheating	20130304 Transmission overheating	20130602
100-LD-018	R2900/G LOADER DAILY SERVICE	20130227 R2900/G LOADER DAILY SERVICE	20130527
100-LD-018	R2900/G LOADER DAILY SERVICE	20130220 LABOUR HIRE 16-17/2/13	0
100-LD-018	R2900/G LOADER DAILY SERVICE	20130220 R2900/G LOADER DAILY SERVICE	20130528
100-LD-018	R2900/G LOADER DAILY SERVICE	20130213 R2900/G LOADER DAILY SERVICE	20130516
100-LD-018	R2900/G LOADER DAILY SERVICE	20130206 R2900/G LOADER DAILY SERVICE	20130501
100-LD-018	R2900/G LOADER DAILY SERVICE	20130130 R2900/G LOADER DAILY SERVICE	20130217
100-LD-018	R2900/G LOADER DAILY SERVICE	20130123 R2900/G LOADER DAILY SERVICE	20130218
100-LD-018	R2900/G LOADER DAILY SERVICE	20130123 LABOUR HIRE 29/1/13 D/S	0



100-LD-018	R2900/G LOADER DAILY SERVICE	20130116 R2900/G LOADER DAILY SERVICE	20130127
100-LD-018	R2900/G LOADER DAILY SERVICE	20130116 LABOUR HIRE FOR DION AND DYLAN26,27/1/13	0
100-LD-018	repair door and fit new window. 4193 hrs	20130115 repair door and fit new window. 4193 hrs	20130122
100-LD-018	R2900/G LOADER DAILY SERVICE	20130109 R2900/G LOADER DAILY SERVICE	20130124
100-LD-018	2way radio faulty change over	20130108 2way radio faulty change over	20130215
100-LD-018	REPLACE POS 4 TYRE (BENT RIM)	20130108 REPLACE POS 2 TYRE (BENT RIM)	20130122
100-LD-018	A/C inop	20130106 A/C inop	20130122
100-LD-018	R2900/G LOADER DAILY SERVICE	20130102 R2900/G LOADER DAILY SERVICE	20130127
100-LD-018	R2900/G LOADER DAILY SERVICE	20121226 R2900/G LOADER DAILY SERVICE	20130430
100-LD-018	LOADER 2000 HOUR SERVICE	20121224 LOADER 2000HOUR SERVICE	20130113
100-LD-018	LOADER 250HOUR SERVICE	20121224 LOADER 250HOUR SERVICE	20130123
100-LD-018	R2900/G LOADER DAILY SERVICE	20121219 R2900/G LOADER DAILY SERVICE	20130430
100-LD-018	pos 1 brake line split	20121218 pos 1 brake line split	20121218
100-LD-018	repair fuel leak	20121217 repair fuel leak	20121218
100-LD-018	bubble in pos#1 tyre ON PGM056 OFF PGM0	20121213 bubble in pos#1 tyre	20121216
100-LD-018	R2900/G LOADER DAILY SERVICE	20121212 R2900/G LOADER DAILY SERVICE	20121218
100-LD-018	Gears slipping	20121206 Gears slipping	20121210
100-LD-018	REMOVE AND REPLACE TRANSMISSION	20121206 REMOVE AND REPLACE TRANSMISSION	20121210
100-LD-018	R2900/G LOADER DAILY SERVICE	20121205 R2900/G LOADER DAILY SERVICE	20121216
100-LD-018	R2900/G LOADER DAILY SERVICE	20121205 LABOUR HIRE C2 N/S 1-4/12/12 IKAM	0
100-LD-018	broken window	20121203 broken window	20121204
100-LD-018	change pos 2 & 3 tyres	20121203 change pos 2 & 3 tyres	20121206
100-LD-018	ld not selecting gears properly	20121203 ld not selecting gears properly	20121206
100-LD-018	R2900/G LOADER DAILY SERVICE	20121128 R2900/G LOADER DAILY SERVICE	20121217
100-LD-018	replace front shaft support bearing	20121126 replace front shaft support bearing	20121202
100-LD-018	REPLACE DRIVE SHAFT SUPPORT BEARING @ 38	20121126 LABOUR IKAM N/S 27-30/11 FOR M.TURTON	0
100-LD-018	REPLACE DRIVE SHAFT SUPPORT BEARING @ 38	20121126 REPLACE DRIVE SHAFT SUPPORT BEARING	20121202
100-LD-018	REPLACE DRIVE SHAFT SUPPORT BEARING @ 38	20121126 LABOUR IKAM N/S 27-30/11 FOR m.TURTON	0
100-LD-018	replace front shaft support bearing	20121126	0
100-LD-018	R2900/G LOADER DAILY SERVICE	20121121 R2900/G LOADER DAILY SERVICE	20121202
100-LD-018	R2900/G LOADER DAILY SERVICE	20121121 LABOUR HIRE C2 D/S 23-26/11/12 IKAM	0
100-LD-018	R2900/G LOADER DAILY SERVICE	20121121 LABOUR HIRE C2 D/S 23-26/11/12 IKAM	0
100-LD-018	LOADER 250HOUR SERVICE	20121118 LOADER 250HOUR SERVICE	20121125
100-LD-018	investigate hanging wires.	20121115 investigate hanging wires.	20121128
100-LD-018	R2900/G LOADER DAILY SERVICE.	20121114 R2900/G LOADER DAILY SERVICE	20121217
100-LD-018	AIR FILTER LIGHT COMING ON	20121112 AIR FILTER LIGHT COMING ON	20121115
100-LD-018	bucket creeping	20121108 bucket creeping	20121115
100-LD-018	R2900/G LOADER DAILY SERVICE	20121107 R2900/G LOADER DAILY SERVICE	20121115
100-LD-018	REPLACE ALL HEEL SHROUDS & GET	20121105 REPLACE ALL HEEL SHROUDS & GET	20121115
100-LD-018	3 MONTHLY REMOTE CONTROL SERVICING	0 3 MONTHLY REMOTE CONTROL SERVICING	0
100-LD-018	REPLACE BLOWN FUEL HOSE	0 REPLACE BLOWN ENG OIL HOSE	0
100-LD-018	3 MONTHLY REMOTE CONTROL SERVICING	0 3 MONTHLY RCT SERVICING LHD18	0
100-LD-018	6 MONTHLY FIRE SUPPRESSION TESTING	0 FIRE SUPPRESSION TESTING LD 018 FX-5110	0
100-LD-018	20155941-BATTERY LIGHT IN CAB	0 20155941-BATTERY LIGHT IN CAB	0
100-LD-018	6 MONTHLY FIRE SUPPRESSION TESTING	0 6 MONTHLY FIRE SUPPRESSION TESTING	0
100-LD-018	INACTIVE WO	0 20155941-BATTERY LIGHT IN CAB	0
100-LD-018	LD 18 - RCT 6MTHLY SERVICE Quote R35307	0 LD 18 - RCT 6MTHLY SERVICE Quote R35307	0
100-LD-018	100-LD-018 HOUR BASED SERVICE	0 250HR SERVICE	0
100-LD-018	100-LD-018 HOUR BASED SERVICE	0 TRANSPORT BUCKET PEAK TO WESTRAC DUBBO	0
100-LD-018	Replace front driveshaft support bearing	0 Replace front driveshaft support bearing	0
100-LD-018	3 MONTHLY REMOTE CONTROL SERVICING	0 Remote Control Technologies 3mth service	0
100-LD-018	3 MONTHLY REMOTE CONTROL SERVICING	0 3 MONTHLY REMOTE CONTROL SERVICING	0
100-LD-018	LD18 - RCT service	0 LD18 - RCT 6mthly Service Dec 13	0
100-LD-018	LD18 - RCT service	0 LD18 - RCT 6 mthly Service March 14	0
100-LD-018	LD18 - RCT service	0 LD18 - RCT service	0
100-LD-018	change pos 2 service day	0 change pos 2 service day	0
100-LD-018	3 MONTHLY REMOTE CONTROL SERVICING	0 3 MONTHLY REMOTE CONTROL SERVICING	0
100-LD-018	ADJUST CAB DOOR	0 ADJUST CAB DOOR	0
100-LD-018	3 MONTHLY REMOTE CONTROL SERVICING	0 3 MONTHLY REMOTE CONTROL SERVICING	0
100-LD-018	LOW POWER	0 LOW POWER	0
100-LD-018	LH corner tooth	0 LH corner tooth	0
100-LD-018	6 MONTHLY FIRE SUPPRESSION TESTING	0 6 MTH FIRE SUPPRESSION TESTING FX-5724	0
100-LD-018	6 Monthly Loader Remote Service	0 6 Monthly Loader Remote Service	0
100-LD-018	OSR 2756 REPLACE R2900G LOADER TYRE	0 OSR 2756 REPLACE R2900G LOADER TYRE	0
100-LD-018	repair door and replace window	0 repair door and replace window	0
100-LD-018	BUCKET TILT CREEPING	0 BUCKET TILT CREEPING	0
100-LD-018	Take cameras down to 780L to fit on load	0 Take cameras down to 780L to fit on load	0
100-LD-018	repair front camera.	0 repair front camera.	0
100-LD-018	3 MONTHLY REMOTE CONTROL SERVICING	0 3 MONTHLY REMOTE CONTROL SERVICING	0

100-LD-018	Change out front camera	0 Change out front camera	0
100-LD-018	Replace missing shaft cover	0 Replace missing shaft cover	0
100-LD-018	6 MONTHLY FIRE SUPPRESSION TESTING	0 6 MONTHLY FIRE SUPPRESSION TESTING	0
100-LD-018	take two cameras down to 8940 for loader	0 take two cameras down to 8940 for loader	0
100-LD-018	Replace front camera	0 Replace front camera	0
100-LD-018	SAFETY RAILS MISSING	0 SAFETY RAILS MISSING	0
100-LD-018	Repair Hand Rail wiring loom	0 Repair Hand Rail wiring loom	0
100-LD-018	Cab pressureiser motor u/s	0 Cab pressureiser motor u/s	0
100-LD-018	LOW FUEL PRESSURE	0 LOW FUEL PRESSURE	0
100-LD-018	Change Glass on front camera	0 Change Glass on front camera	0
100-LD-018	replace rod end relief on tilt cyl	0 replace rod end relief on tilt cyl	0
100-LD-018	3 MONTHLY REMOTE CONTROL SERVICING	0 3 MONTHLY REMOTE CONTROL SERVICING	0
100-LD-018	6 MONTHLY FIRE SUPPRESSION TESTING	0 FIRE SUPPRESSION SERVICE LD18 FX-6312	0
100-LD-018	BRAKE LIGHT COMMING ON	0 BRAKE LIGHT COMMING ON	0
100-LD-018	replace u/s tranny cooler	0 replace u/s tranny cooler	0
100-LD-018	Test LD 18 fire suppression on remotes	0 Test LD 18 fire suppression on remotes	0
100-LD-018	Replace Front Camera wiring loom	0 Replace Front Camera wiring loom	0
100-LD-018	WIND SHROUD FOR BUCKET LOADER 18	0 WIND SHROUD FOR BUCKET	0
100-LD-018	radio repairs	0 radio repairs	0
100-LD-018	STICK STEER COVER MISSING	0 STICK STEER COVER MISSING	0
100-LD-018	BRAKE HOSE LEAKING	0 BRAKE HOSE LEAKING	0
100-LD-018	100-LD-018 HOUR BASED SERVICE	0 2000HR SERVICE	0
100-LD-018	steer cyl rods damaged	0 steer cyl rods damaged	0
100-LD-018	POLYCARBONATE WINDOW	0 POLYCARBONATE WINDOW	0
100-LD-018	6 MONTHLY FIRE SUPPRESSION TESTING	0 6 MONTHLY FIRE SUPPRESSION TESTING	0
100-LD-018	POS 1 FLAT TYRE TRAMMED TO 630 LEVEL	0 POS 1 FLAT TYRE	0
100-LD-018	REBUILD BRAKE ACCUMULATORS	0 REBUILD BRAKE ACCUMULATORS	0
100-LD-018	3 MONTHLY REMOTE CONTROL SERVICING	0 3 MONTHLY REMOTE CONTROL SERVICING	0
100-LD-018	BUCKET REPAIRS	0 BUCKET REPAIRS	0
100-LD-018	loader stuck in stope x2	0 loader stuck in stope x2	0
100-LD-018	Fault find LD losing camera signal repla	0	0
100-LD-018	8940 nth remotes seemed to be going fast	0 8940 nth remotes seemed to be going fast	0
100-LD-018	pos#2 tyre and alc repair fan repairs	0 pos#2 tyre and alc repair fan repairs	0
100-LD-018	3 MONTHLY REMOTE CONTROL SERVICING	0 3 MONTHLY REMOTE CONTROL SERVICING	0
100-LD-018	Repair remotes	0 Repair remotes	0
100-LD-018	Repair remotes	0 AB 21/9	0
100-LD-018	100-LD-018 HOUR BASED SERVICE	0 500HR SERVICE	0
100-LD-018	installed new cameras	0 installed new cameras	0
100-LD-018	STICK STEER VALVE LEAKING	0 STICK STEER VALVE LEAKING	0
100-LD-018	Repair remotes	0 Repair remotes	0
100-LD-018	Remote fire supp. testing	0 Remote fire supp. testing	0
100-LD-018	OSR 14840 REPAIR PGM114 TYRE	0 OSR 14840 REPAIR PGM114 TYRE	0
100-LD-018	MAIN HYD HOSE THROUGHT C/HINGE	0 MAIN HYD HOSE THROUGHT C/HINGE	0
100-LD-018	BAD COOLANT SAMPLE (SOOT)	0 BAD COOLANT SAMPLE (SOOT)	0
100-LD-018	bcket teeth	0 bcket teeth	0
100-LD-018	6 MONTHLY FIRE SUPPRESSION TESTING	0 FIRE SUPPRESSION TESTING LD-18 FX-7821	0
100-LD-018	OSR 14853 REPAIR PGM 139 TYRE	0 OSR 14853 REPAIR PGM 139 TYRE	0
100-LD-018	6 MONTHLY FIRE SUPPRESSION TESTING	0 6 MONTHLY FIRE SUPPRESSION TESTING	0
100-LD-018	BUCKET TEETH WORN OUT	0 BUCKET TEETH WORN OUT	0
100-LD-018	Rear diff pinion seal	0 Rear diff pinion seal	0
100-LD-018	LOW CHARGE OUMP PRESSURE	0 LOW CHARGE OUMP PRESSURE	0
100-LD-018	3 MONTHLY REMOTE CONTROL SERVICING	0 3 MONTHLY REMOTE CONTROL SERVICING	0
100-LD-018	Replace U/S radio	0 Replace U/S radio	0
100-LD-018	Replace U/S remote camera	0 Replace U/S remote camera	0
100-LD-018	REPAIR DAMAGED LIGHTS ON BOOM	0 REPAIR DAMAGED LIGHTS ON BOOM	0
100-LD-018	NO GEARS	0 NO GEARS	0
100-LD-018	Replace rear camera on Loader	0 Replace rear camera on Loader	0
100-LD-018	replace antenna cable	0 replace antenna cable	0
100-LD-018	Replace 2 way antenna	0 Replace 2 way antenna	0
100-LD-018	NO TROTTLER WHILE LOADER IS CONVENTIONAL	0 NO TROTTLER WHILE LOADER IS CONVENTAIL	0
100-LD-018	REPLACE FUEL SENDER UNIT	0 REPLACE FUEL SENDER UNIT	0
100-LD-018	Replace broken r/h corner GET	0 Replace broken r/h corner GET	0
100-LD-018	losing picture intermittently	0 losing picture intermittently	0
100-LD-018	Replace Estop on RHS rear of loader	0 Replace Estop on RHS rear of loader	0
100-LD-018	replace radio and hand piece	0 replace radio and hand piece	0
100-LD-018	Retrieve loader from stope with line of	0 Retrieve loader from stope with line of	0
100-LD-018	tiltcylinder guard loose	0 tiltcylinder guard loose	0
100-LD-018	START ISOLATOR U/S	0 START ISOLATOR U/S	0
100-LD-018	GILES LINEBORE COST ON BOOM	0 GILES LINEBORE COST ON BOOM	0

100-LD-018	3 MONTHLY REMOTE CONTROL SERVICING	0 3 MONTHLY REMOTE CONTROL SERVICING	0
100-LD-018	Replace missing outer window guard	0 Replace missing outer window guard	0
100-LD-018	FABRICATE COVER AND CHECK MOUNTING BOLTS	0 FABRICATE COVER AND CHECK MOUNTING BOLTS	0
100-LD-018	REPLACE POS 4 TYRE	0 REPLACE POS 4 TYRE	0
100-LD-018	OSR-15044 QUOTE TO REPAIR TYRE	0 OSR-15044 QUOTE TO REPAIR TYRE	0
100-LD-018	REPAIR OIL LEAK IN WHEEL END AND SITE GL	0 REPAIR OIL LEAK IN WHEEL END AND SITE GL	0
100-LD-018	LOADER 18 DAMAGE REPAIRS	0 LOADER 18 DAMAGE REPAIRS	0
100-LD-018	OSR-15028 QUOTE TO REPAIR BUCKET	0 OSR-15028 QUOTE TO REPAIR BUCKET	0
100-LD-018	OSR 15447/15448 TYRE REPAIRS	0 OSR 15447 TYRE REPAIRS	0
100-LD-018	No picture rear camera at 51N	0 No picture rear camera at 51N	0
100-LD-018	topp up low hydraulic oil 10561 hrs	0 topp up low hydraulic oil 10561 hrs	0
100-LD-018	take remote camera mount off	0 take remote camera mount off	0
100-LD-018	LOADER 18 DAMAGED FUEL TANK	0 LOADER 18 DAMAGED FUEL TANK	0
100-LD-018	TILT CYLINDER HOSE LEAKING	0 TILT CYLINDER HOSE LEAKING	0
100-LD-018	PARTS FOR LOADER 18	0 PARTS FOR LOADER 18	0
100-LD-018	Repair Remotes @ 8900L	0 Repair Remotes @ 8900L	0
100-LD-018	Fix LHD18 handrails	0 Fix LHD18 handrails	0
100-LD-018	reported rear camera problems	0 reported rear camera problems	0
100-LD-018	6 MONTHLY FIRE SUPPRESSION TESTING	0 6 MONTHLY FIRE SUPPRESSION TESTING	0
100-LD-018	REMOVE AND REPLACE PLANTERY OIL SEALS	0 REMOVE AND REPLACE PLANTERY OIL SEALS	0
100-LD-018	6 MONTHLY FIRE SUPPRESSION TESTING	0 W.F.S FIRE SUP. TESTING LD-18 FX-8603	0
100-LD-018	install new 2 way radio	0 install new 2 way radio	0
100-LD-018	REPLACE STEREO	0 REPLACE STEREO	0
100-LD-018	Reinstall remotes on LHD18	0 Reinstall remotes on LHD18	0
100-LD-018	REPLACED BUCKET TEETH	0 REPLACED BUCKET TEETH	0
100-LD-018	REPLACE REMOTE HARNESS	0 REPLACE REMOTE HARNESS	0
100-LD-018	PARTS FOR LOADER 18 TRANSMISSION	0 PARTS FOR LOADER 18 TRANSMISSION	0
100-LD-018	REPLACE DIFF COOLING FILTERS	0 REPLACE DIFF COOLING FILTERS	0
100-LD-018	repair/service logic box insides full of	0 repair/service logic box	0
100-LD-018	PARTS FOR LOADER 18 DIFF COOLING PUMP	0 PARTS FOR LOADER 18	0
100-LD-018	FIT TABLET CHARGER	0 FIT TABLET CHARGER	0
100-LD-018	WIRING HARNESS FOR LOADER 18	0 WIRING HARNESS FOR LOADER 18	0
100-LD-018	Loose logic box	0 Loose logic box	0
100-LD-018	disparity pin 25 at 51W	0 disparity pin 25 at 51W	0
100-LD-018	REPLACE DAMAGED HANDRAILS	0 REPLACE DAMAGED HANDRAILS	0
100-LD-018	repair/service logic box	0 repair/service logic box	0
100-LD-018	Replace missing rear camera	0 Replace missing rear camera	0
100-LD-018	HAND RAIL SYSTEM FOR LOADERS	0 HAND RAIL SYSTEM FOR LOADERS	0
100-LD-018	REPAIR OIL LEAKS LOADER 18	0 REPAIR OIL LEAKS LOADER 18	0
100-LD-018	Handrails not going up	0 Handrails not going up	0
100-LD-018	HAND RAIL SYSTEM FOR LOADERS	0 HAND RAIL SYSTEM FOR LOADERS	0
100-LD-018	CHARGING PROBLEM ONLY CHARGING 24 VOLTS	0 CHARGING PROBLEM ONLY CHARGING 24 VOLTS	0
100-LD-018	3 MTHLY LOADER REMOTE SERVICE	0 3 MTHLY LOADER REMOTE ELEC SERVICE	0
100-LD-018	LOADER 18 A/C FAN U/S	0 LOADER 18 A/C FAN U/S	0
100-LD-018	3 MONTHLY REMOTE CONTROL SERVICING	0 3 MONTHLY REMOTE CONTROL SERVICING	0
100-LD-018	REPLACE DOOR STRUT L18	0 REPLACE DOOR STRUT L18	0
100-LD-018	RE-SEAL LEAKING WHEEL END	0 RE-SEAL LEAKING WHEEL END	0
100-LD-018	Losing picture in stope at 46N	0 Losing picture in stope at 46N	0
100-LD-018	Loader stuck in stope 46L	0 Loader stuck in stope 46L	0
100-LD-018	pin 6 fault on remotes also no back pic	0 pin 6 fault on remotes also no back pic	0
100-LD-018	LIGHT WIRING FOR LOADER	0 LIGHT WIRING FOR LOADER	0
100-LD-018	R2900/G LOADER DAILY SERVICE	0 R2900/G LOADER DAILY SERVICE	0
100-LD-018	LHD18 front camera u/s 51 stope	0 LHD18 front camera u/s 51 stope	0
100-LD-018	R2900/G LOADER DAILY SERVICE	0 R2900/G LOADER DAILY SERVICE	0
100-LD-018	R2900/G LOADER DAILY SERVICE	0 R2900/G LOADER DAILY SERVICE	0
100-LD-018	DAMAGE WINDOW REPAIRS	0 DAMAGE WINDOW REPAIRS	0
100-LD-018	R2900/G LOADER DAILY SERVICE	0 R2900/G LOADER DAILY SERVICE	0
100-LD-018	remove cameras	0 remove cameras	0
100-LD-018	OSR U/S Tele Tx	0 OSR U/S Tele Tx	0
100-LD-018	Aerial cables melted together at 46N	0 Aerial cables melted together at 46N	0
100-LD-018	Rear camera u/s at 46N	0 Rear camera u/s at 46N	0
100-LD-018	line of sight 9065	0 line of sight 9065	0
100-LD-018	radio not working	0 radio not working	0
100-LD-018	3 MTHLY LOADER REMOTE SERVICE	0 3 MTHLY LOADER REMOTE ELEC SERVICE	0
100-LD-018	6 MONTHLY FIRE SUPPRESSION TESTING	0 6 MONTHLY FIRE SUPPRESSION TESTING	0
100-LD-018	3 MTHLY LOADER REMOTE SERVICE	0 3 MTHLY LOADER REMOTE ELEC SERVICE	0
100-LD-018	extra parts found for rebuild	0 extra parts found for rebuild	0
100-LD-018	6 MONTHLY GAS TESTING	0 6 MONTHLY GAS TESTING PM2079	0
100-LD-018	3 MTHLY LOADER REMOTE SERVICE	0 3 MTHLY LOADER REMOTE ELEC SERVICE	0

100-LD-018	3 MTHLY LOADER REMOTE SERVICE	0 3 MTHLY LOADER REMOTE ELEC SERVICE	0
100-LD-018	6 MONTHLY GAS TESTING	0 6 MONTHLY GAS TESTING PM2079	0
100-LD-018	6 MONTHLY FIRE SUPPRESSION TESTING	0 W.F.S - FIRE SUPPRESSION LD-018 - 0364	0
100-LD-018	6 MONTHLY FIRE SUPPRESSION TESTING	0 6 MONTHLY FIRE SUPPRESSION TESTING	0
100-LD-018	6 MONTHLY FIRE SUPPRESSION TESTING	0 W.F.S - FIRE SUPPRESSION LD-018 - 0258	0
100-LD-018	3 MTHLY LOADER REMOTE SERVICE	0 3 MTHLY LOADER REMOTE ELEC SERVICE	0
100-LD-018	500HR CAT R2900G EMISSIONS TESTING	0 500HR CAT R2900G EMISSIONS TESTING	0
100-LD-018	6 MONTHLY FIRE SUPPRESSION TESTING	0 6 MONTHLY FIRE SUPPRESSION TESTING LD-18	0
100-LD-018	6 MONTHLY FIRE SUPPRESSION TESTING	0 ADDITIONAL REPAIRS LD-18 INV-0972	0
100-LD-018	3 MTHLY LOADER REMOTE SERVICE	0 3 MTHLY LOADER REMOTE ELEC SERVICE	0
100-LD-018	R2900/G LOADER DAILY SERVICE	0 CAT R2900G DAILY SERVICE FRIDAY	0
100-LD-018	R2900/G LOADER DAILY SERVICE	0 CAT R2900G DAILY SERVICE SATURDAY	0
100-LD-018	R2900/G LOADER DAILY SERVICE	0 CAT R2900G DAILY SERVICE TUESDAY	0
100-LD-018	R2900/G LOADER DAILY SERVICE	0 CAT R2900G DAILY SERVICE WEDNESDAY	0
100-LD-018	R2900/G LOADER DAILY SERVICE	0 CAT R2900G DAILY SERVICE SUNDAY	0
100-LD-018	R2900/G LOADER DAILY SERVICE	0 CAT R2900G DAILY SERVICE THURSDAY	0
100-LD-018	REPAIR COMPONENTS FROM REBUILD	0 P J L - REPAIR HYDRAULIC TANK	0
100-LD-018	R2900/G LOADER DAILY SERVICE	0 CAT R2900G DAILY SERVICE MONDAY	0
100-LD-018	500HR CAT R2900G EMISSIONS TESTING	0 500HR CAT R2900G EMISSIONS TESTING	0
100-LD-018	500HR CAT R2900G EMISSIONS TESTING	0 500HR CAT R2900G EMISSIONS TESTING	0
100-LD-018	3 MTHLY LOADER REMOTE SERVICE	0 3 MTHLY LOADER REMOTE ELEC SERVICE	0
100-LD-018	3 MTHLY LOADER REMOTE SERVICE	0 3 MTHLY LOADER REMOTE ELEC SERVICE	0
100-LD-018	500HR CAT R2900G EMISSIONS TESTING	0 500HR CAT R2900G EMISSIONS TESTING	0
100-LD-018	6 MONTHLY FIRE SUPPRESSION TESTING	0 W.F.S - 6 MTHLY FIRE SUPPRESSION LD-18	0
100-LD-018	6 MONTHLY FIRE SUPPRESSION TESTING	0 ADDITIONAL CHARGES LD18 INV 1792	0
100-LD-018	R2900/G LOADER DAILY SERVICE	0 CAT R2900G DAILY SERVICE SATURDAY	0
100-LD-018	R2900/G LOADER DAILY SERVICE	0 CAT R2900G DAILY SERVICE SUNDAY	0
100-LD-018	R2900/G LOADER DAILY SERVICE	0 CAT R2900G DAILY SERVICE FRIDAY	0
100-LD-018	R2900/G LOADER DAILY SERVICE	0 CAT R2900G DAILY SERVICE MONDAY	0
100-LD-018	3 MTHLY LOADER REMOTE SERVICE	0 3 MTHLY LOADER REMOTE ELEC SERVICE	0
100-LD-018	R2900/G LOADER DAILY SERVICE	0 CAT R2900G DAILY SERVICE THURSDAY	0
100-LD-018	R2900/G LOADER DAILY SERVICE	0 CAT R2900G DAILY SERVICE WEDNESDAY	0
100-LD-018	R2900/G LOADER DAILY SERVICE	0 CAT R2900G DAILY SERVICE TUESDAY	0
100-LD-018	3 MTHLY LOADER REMOTE SERVICE	0 3 MTHLY LOADER REMOTE ELEC SERVICE	0
100-LD-018	RETURN TO WORK INSPECTION	0 RETURN TO WORK INSPECTION	0
100-LD-018	6 MONTHLY FIRE SUPPRESSION TESTING	0 6 MONTHLY FIRE SUPPRESSION TESTING	0
100-LD-018	500HR CAT R2900G EMISSIONS TESTING	0 500HR CAT R2900G EMISSIONS TESTING	0
100-LD-018	500HR CAT R2900G EMISSIONS TESTING	0 500HR CAT R2900G EMISSIONS TESTING	0
100-LD-018	500HR CAT R2900G EMISSIONS TESTING	0 500HR CAT R2900G EMISSIONS TESTING	0
100-LD-018	1000HR CAT LOADER SERVICE	0 1000HR CAT R2900G MECH SERVICE	0
100-LD-018	6 MONTHLY GAS TESTING	0 6 MONTHLY GAS TESTING PM2079	0
100-LD-018	500HR CAT LOADER SERVICE	0 INSPECT HEEL SHROUDS & REPORT	0
100-LD-018	500HR CAT LOADER SERVICE	0 500HR CAT R2900G MECH SERVICE	0
100-LD-018	R2900/G LOADER DAILY SERVICE	0 CAT R2900G DAILY SERVICE SATURDAY	0
100-LD-018	R2900/G LOADER DAILY SERVICE	0 CAT R2900G DAILY SERVICE SUNDAY	0
100-LD-018	500HR CAT R2900G EMISSIONS TESTING	0 500HR CAT R2900G EMISSIONS TESTING	0
100-LD-018	2000HR CAT LOADER SERVICE	0 2000HR CAT R2900G MECH SERVICE	0
100-LD-018	R2900/G LOADER DAILY SERVICE	0 CAT R2900G DAILY SERVICE WEDNESDAY	0
100-LD-018	R2900/G LOADER DAILY SERVICE	0 CAT R2900G DAILY SERVICE TUESDAY	0
100-LD-018	R2900/G LOADER DAILY SERVICE	0 CAT R2900G DAILY SERVICE FRIDAY	0
100-LD-018	R2900/G LOADER DAILY SERVICE	0 CAT R2900G DAILY SERVICE MONDAY	0
100-LD-018	500HR CAT LOADER SERVICE	0 THICKNESS TEST WEAR LINERS	0
100-LD-018	250HR CAT LOADER SERVICE	0 250HR R2900G MECH SERVICE	0
100-LD-018	R2900/G LOADER DAILY SERVICE	0 CAT R2900G DAILY SERVICE TUESDAY	0
100-LD-018	R2900/G LOADER DAILY SERVICE	0 CAT R2900G DAILY SERVICE WEDNESDAY	0
100-LD-018	R2900/G LOADER DAILY SERVICE	0 CAT R2900G DAILY SERVICE SATURDAY	0
100-LD-018	R2900/G LOADER DAILY SERVICE	0 CAT R2900G DAILY SERVICE THURSDAY	0
100-LD-018	R2900/G LOADER DAILY SERVICE	0 CAT R2900G DAILY SERVICE MONDAY	0
100-LD-018	R2900/G LOADER DAILY SERVICE	0 CAT R2900G DAILY SERVICE FRIDAY	0
100-LD-018	R2900/G LOADER DAILY SERVICE	0 CAT R2900G DAILY SERVICE WEDNESDAY	0
100-LD-018	R2900/G LOADER DAILY SERVICE	0 CAT R2900G DAILY SERVICE MONDAY	0
100-LD-018	R2900/G LOADER DAILY SERVICE	0 CAT R2900G DAILY SERVICE FRIDAY	0
100-LD-018	R2900/G LOADER DAILY SERVICE	0 CAT R2900G DAILY SERVICE SATURDAY	0
100-LD-018	R2900/G LOADER DAILY SERVICE	0 CAT R2900G DAILY SERVICE TUESDAY	0
100-LD-018	R2900/G LOADER DAILY SERVICE	0 CAT R2900G DAILY SERVICE SUNDAY	0
100-LD-018	R2900/G LOADER DAILY SERVICE	0 CAT R2900G DAILY SERVICE MONDAY	0
100-LD-018	R2900/G LOADER DAILY SERVICE	0 CAT R2900G DAILY SERVICE FRIDAY	0
100-LD-018	R2900/G LOADER DAILY SERVICE	0 CAT R2900G DAILY SERVICE SATURDAY	0
100-LD-018	R2900/G LOADER DAILY SERVICE	0 CAT R2900G DAILY SERVICE WEDNESDAY	0





100-LD-018	R2900/G LOADER DAILY SERVICE	0 CAT R2900G DAILY SERVICE MONDAY	0
100-LD-018	R2900/G LOADER DAILY SERVICE	0 CAT R2900G DAILY SERVICE FRIDAY	0
100-LD-018	R2900/G LOADER DAILY SERVICE	0 CAT R2900G DAILY SERVICE MONDAY	0
100-LD-018	R2900/G LOADER DAILY SERVICE	0 CAT R2900G DAILY SERVICE MONDAY	0
100-LD-018	R2900/G LOADER DAILY SERVICE	0 CAT R2900G DAILY SERVICE TUESDAY	0
100-LD-018	R2900/G LOADER DAILY SERVICE	0 CAT R2900G DAILY SERVICE WEDNESDAY	0
100-LD-018	R2900/G LOADER DAILY SERVICE	0 CAT R2900G DAILY SERVICE THURSDAY	0
100-LD-018	3 MTHLY LOADER REMOTE SERVICE	0 3 MTHLY LOADER REMOTE ELEC SERVICE	0
100-LD-018	R2900/G LOADER DAILY SERVICE	0 CAT R2900G DAILY SERVICE MONDAY	0
100-LD-018	R2900/G LOADER DAILY SERVICE	0 CAT R2900G DAILY SERVICE FRIDAY	0
100-LD-018	R2900/G LOADER DAILY SERVICE	0 CAT R2900G DAILY SERVICE SATURDAY	0
100-LD-018	R2900/G LOADER DAILY SERVICE	0 CAT R2900G DAILY SERVICE SATURDAY	0
100-LD-018	handrail damage	0 handrail damage	0
100-LD-018	R2900/G LOADER DAILY SERVICE	0 CAT R2900G DAILY SERVICE THURSDAY	0
100-LD-018	R2900/G LOADER DAILY SERVICE	0 CAT R2900G DAILY SERVICE SATURDAY	0
100-LD-018	R2900/G LOADER DAILY SERVICE	0 CAT R2900G DAILY SERVICE THURSDAY	0
100-LD-018	R2900/G LOADER DAILY SERVICE	0 CAT R2900G DAILY SERVICE FRIDAY	0
100-LD-018	R2900/G LOADER DAILY SERVICE	0 CAT R2900G DAILY SERVICE SATURDAY	0
100-LD-018	R2900/G LOADER DAILY SERVICE	0 CAT R2900G DAILY SERVICE WEDNESDAY	0
100-LD-018	R2900/G LOADER DAILY SERVICE	0 CAT R2900G DAILY SERVICE TUESDAY	0
100-LD-018	R2900/G LOADER DAILY SERVICE	0 CAT R2900G DAILY SERVICE SATURDAY	0
100-LD-018	R2900/G LOADER DAILY SERVICE	0 CAT R2900G DAILY SERVICE MONDAY	0
100-LD-018	R2900/G LOADER DAILY SERVICE	0 CAT R2900G DAILY SERVICE SUNDAY	0
100-LD-018	250HR CAT LOADER SERVICE	0 250HR R2900G MECH SERVICE	0
100-LD-018	R2900/G LOADER DAILY SERVICE	0 CAT R2900G DAILY SERVICE TUESDAY	0
100-LD-018	R2900/G LOADER DAILY SERVICE	0 CAT R2900G DAILY SERVICE THURSDAY	0
100-LD-018	R2900/G LOADER DAILY SERVICE	0 CAT R2900G DAILY SERVICE SUNDAY	0
100-LD-018	R2900/G LOADER DAILY SERVICE	0 CAT R2900G DAILY SERVICE FRIDAY	0
100-LD-018	R2900/G LOADER DAILY SERVICE	0 CAT R2900G DAILY SERVICE SATURDAY	0
100-LD-018	R2900/G LOADER DAILY SERVICE	0 CAT R2900G DAILY SERVICE FRIDAY	0
100-LD-018	R2900/G LOADER DAILY SERVICE	0 CAT R2900G DAILY SERVICE MONDAY	0
100-LD-018	R2900/G LOADER DAILY SERVICE	0 CAT R2900G DAILY SERVICE SUNDAY	0
100-LD-018	R2900/G LOADER DAILY SERVICE	0 CAT R2900G DAILY SERVICE WEDNESDAY	0
100-LD-018	R2900/G LOADER DAILY SERVICE	0 CAT R2900G DAILY SERVICE SUNDAY	0
100-LD-018	R2900/G LOADER DAILY SERVICE	0 CAT R2900G DAILY SERVICE SUNDAY	0
100-LD-018	R2900/G LOADER DAILY SERVICE	0 CAT R2900G DAILY SERVICE THURSDAY	0
100-LD-018	R2900/G LOADER DAILY SERVICE	0 CAT R2900G DAILY SERVICE MONDAY	0
100-LD-018	R2900/G LOADER DAILY SERVICE	0 CAT R2900G DAILY SERVICE SUNDAY	0
100-LD-018	R2900/G LOADER DAILY SERVICE	0 CAT R2900G DAILY SERVICE SUNDAY	0
100-LD-018	R2900/G LOADER DAILY SERVICE	0 CAT R2900G DAILY SERVICE THURSDAY	0
100-LD-018	R2900/G LOADER DAILY SERVICE	0 CAT R2900G DAILY SERVICE SUNDAY	0
100-LD-018	R2900/G LOADER DAILY SERVICE	0 CAT R2900G DAILY SERVICE THURSDAY	0
100-LD-018	R2900/G LOADER DAILY SERVICE	0 CAT R2900G DAILY SERVICE TUESDAY	0
100-LD-018	R2900/G LOADER DAILY SERVICE	0 CAT R2900G DAILY SERVICE WEDNESDAY	0
100-LD-018	R2900/G LOADER DAILY SERVICE	0 CAT R2900G DAILY SERVICE MONDAY	0
100-LD-018	R2900/G LOADER DAILY SERVICE	0 CAT R2900G DAILY SERVICE FRIDAY	0
100-LD-018	R2900/G LOADER DAILY SERVICE	0 CAT R2900G DAILY SERVICE SATURDAY	0
100-LD-018-DRV	REPAIRS TO FRONT DIFF ASSEMBLY	0 REPAIRS TO FRONT DIFF ASSEMBLY	0
100-LD-018-DRV	converter bolts	0 converter bolts	0
100-LD-018-DRV	PARTS FOR LOADER 18	0 PARTS FOR LOADER 18	0
100-LD-018-DRV	front tyres look low	0 front tyres look low	0
100-LD-018-DRV	BLOWN POS 1 TYRE	0 BLOWN POS 1 TYRE	0
100-LD-018-ELC	FUEL SYSTEM REPAIRS	0 FUEL SYSTEM REPAIRS	0
100-LD-018-ELC	GTM LABOUR FOR MDG 15 WIRING REPAIRS	0 GTM LABOUR	0
100-LD-018-ELC	GTM LABOUR FOR MDG 15 WIRING REPAIRS	0 GTM LABOUR FOR MDG 15 WIRING REPAIRS	0
100-LD-018-ELC	R.C.T REPAIRS	0 RCT - INSTALL CONTROL MASTER CM2200 LD18	0
100-LD-018-ELC	VIMS UPGRADE & CONFIGURATION PROJECT	0 VIMS UPGRADE & CONFIGURATION PROJECT	0
100-LD-018-ELC	MAKE UP AND FIT LIGHT BRACKET/REPAIR WI	0 REPLACE R/H LIGHT BRACKET	0
100-LD-018-ELC	MAKE UP AND FIT LIGHT BRACKET/REPAIR WI	0 REPAIR LIGHT WIRING	0
100-LD-018-ENG	ENGINE EXHAUST GASKET AND REPAIRS	0 ENGINE EXHAUST GASKET AND REPAIRS	0
100-LD-018-ENG	INVESTIGATE EXHAUST EMISSIONS TREATMENT	0 INVESTIGATE EXHAUST EMISSIONS TREATMENT	0
100-LD-018-ENG	OSR-16459 QUOTE TO REPAIR COOLER PACK	0 OSR-16459 QUOTE TO REPAIR COOLER PACK	0
100-LD-018-ENG	SOS - C SAMPLES: DROP & FLUSH COOLANT	0 SOS - C SAMPLES: DROP & FLUSH COOLANT	0
100-LD-018-ENG	a/c not working	0 a/c not working	0
100-LD-018-ENG	ENGINE OIL LEAK	0 P.J.L - REPLACE HEAD GASKET LD-18 Q# 24576	0
100-LD-018-ENG	ENGINE OIL LEAK	0 P.J.L - ADDITIONAL REPAIRS LD-18 - 26372	0
100-LD-018-ENG	ENGINE OIL LEAK	0 P.J.L - REPLACE TRANSMISSION - 24699	0
100-LD-018-ENG	ENGINE OIL LEAK	0 B.F.S - TRANSPORT LD-18 TO/FROM PGM-P.J.L	0
100-LD-018-ENG	ENGINE OIL LEAK	0 P.J.L - ADDITIONAL REPAIRS LD-18 Q# 24634	0
100-LD-018-ENG	A/C COMPRESSOR MOUNT	0 P.J.L - SUPPLY & INSTALL A/C BRACKET LD-18	0
100-LD-018-HYD	OSR-16455 QUOTE TO REPAIR 2X STEERING CY	0 OSR-16455 QUOTE TO REPAIR 2X STEERING CY	0

100-LD-018-HYD	OSR-16465 QUOTE TO REPAIR TILT CYL	0 OSR-16465 QUOTE TO REPAIR TILT CYL	0
100-LD-018-HYD	BRAKE PARTS FOR LOADER 18	0 BRAKE PARTS FOR LOADER 18	0
100-LD-018-HYD	AXLE COOLING PARTS	0 AXLE COOLING PARTS	0
100-LD-018-HYD	hockey stick parts for L/H lift cyl	0 hockey stick parts for L/H lift cyl	0
100-LD-018-HYD	BRAKE COOLER FITTINGS	0 BRAKE COOLER FITTINGS	0
100-LD-018-HYD	OSR-16453 QUOTE TO REPAIR 2X LIFT CYL	0 OSR-16453 QUOTE TO REPAIR 2X LIFT CYL	0
100-LD-018-HYD	TRANSMISSION COOLER HOSE WEEPING	0 REPLACE TRANSMISSION COOLER HOSE Hose n	0
100-LD-018-HYD	REPLACE STEERING PILOT VALVE	0 REPLACE STEERING PILOT VALVE Fitted ear	0
100-LD-018-HYD	LEAKING HOSE	0 REPLACE LEAKING HOSE	0
100-LD-018-HYD	PJL - REPAIR HYDRAULIC TANK	0 PJL - REPAIR HYDRAULIC TANK 22679	0
100-LD-018-HYD	LOW PILOT OIL PRESSURE	0 LOW PILOT OIL PRESSURE	0
100-LD-018-STR	DAMAGE REPAIRS TO REAR STRUCTURE	0 EXTRA REPAIRS TO LD-18 REAR END - 20491	0
100-LD-018-STR	DAMAGE REPAIRS TO REAR STRUCTURE	0 DAMAGE REPAIRS TO REAR STRUCTURE - LD-18	0
100-LD-018-STR	OSR-16457 QUOTE TO REPAIR DOG BONE	0 OSR-16457 QUOTE TO REPAIR DOG BONE	0
100-LD-018-STR	OSR-16456 QUOTE TO REPAIR Z LINK	0 OSR-16456 QUOTE TO REPAIR Z LINK	0
100-LD-018-STR	OSR-16493 QUOTE TO REPAIR BUCKET *OSR*	0 OSR-16493 QUOTE TO REPAIR BUCKET	0
100-LD-018-STR	PARTS FOR RUNNING REPAIRS	0 PARTS FOR RUNNING REPAIRS	0
100-LD-018-STR	LINE BORE REPAIRS FRONT AND REAR FRAME	0 LINE BORE REPAIRS FRONT AND REAR FRAME	0
100-LD-018-STR	LINE BORE REPAIRS FRONT AND REAR FRAME	0 KML LINE BORE REPAIRS	0
100-LD-018-STR	MISSING CAB PARTS	0 MISSING CAB PARTS	0
100-LD-018-STR	REPLACE TRUCK SEAT	0 REPLACE TRUCK SEAT	0
100-LD-018-STR	REPLACE SIDE PROTECTION GUARD	0 REPLACE SIDE PROTECTION GUARD	0
100-LD-018-STR	SUPPLY OF HALF CORNER SBUCKET TEETH	0 SUPPLY OF HALF CORNER SBUCKET TEETH	0
100-LD-018-STR	WEARFORCE G.E.T TRIAL	0 WEARFORCE G.E.T TRIAL	0
100-LD-018-STR	REPLACE WINDOW GUARD	0 REPLACE WINDOW GUARD	0
100-LD-018-STR	REPLACE HAND RAILS AS REQUIRED	0 REPAIR / REPLACE HANDRAILS	0
100-LD-018-STR	REPLACE LATCH ON RADIATOR GRILL	0 REPLACE LATCH ON RADIATOR GRILL	0

# R2900G

Underground  
Mining Loader



---

## Engine

Engine Model	Cat® C15 ACERT™	
Gross Power – SAE J1995	321/333 kW	430/447 hp

---

## Operating Specifications

Nominal Payload Capacity	17 200 kg	37,926 lb
Gross Machine Operating Weight	67 409 kg	148,611 lb

---

## Bucket Capacities

Bucket Capacity – Std.	7.2 m <sup>3</sup>	9.4 yd <sup>3</sup>
------------------------	--------------------	---------------------



## Engine

Engine Model	Cat C15 ACERT™	
Rated Power	1900/1800 rpm	
Gross Power – SAE J1995	321/333 kW	430/447 hp
Net Power – SAE J1349	290/302 kW	389/405 hp
Net Power – ISO 9249	288/300 kW	386/402 hp
Net Power – 80/1269/EEC	321/333 kW	430/447 hp
Bore	137.2 mm	5.4 in
Stroke	171.5 mm	6.8 in
Displacement	15.2 L	927.9 in <sup>3</sup>

- Power ratings apply at a rated speed of 1900/1800 rpm when tested under the reference conditions for the specified standard.
- Ratings based on SAE J1995 standard air conditions of 25° C (77° F) and 100 kPa (29.61 Hg) barometer. Power based on fuel having API gravity of 35 at 16° C (60° F) and an LHV of 42 780 kJ/kg (18,390 BTU/lb) when engine used at 30° C (86° F).
- No engine derating required up to 591 m (1,938 ft) altitude.
- Compliant with U.S. Environmental Protection Agency Tier 3 emissions standards.

## Operating Specifications

Nominal Payload Capacity	17 200 kg	37,926 lb
Gross Machine Operating Weight	67 409 kg	148,611 lb
Static Tipping Load Straight Ahead Lift Arms Horizontal	39 923 kg	88,015 lb
Static Tipping Load Full Turn Lift Arms Horizontal	34 069 kg	75,109 lb
Breakout Force (SAE)	27 346 kg	60,298 lb

## Weights

Empty	50 209 kg	110,692 lb
Front Axle	23 057 kg	50,832 lb
Rear Axle	27 152 kg	59,860 lb
Loaded	67 409 kg	148,611 lb
Front Axle	50 220 kg	110,716 lb
Rear Axle	17 189 kg	37,895 lb

## Transmission

Forward 1	5 km/h	3.1 mph
Forward 2	8.8 km/h	5.5 mph
Forward 3	15.2 km/h	9.4 mph
Forward 4	25.3 km/h	15.7 mph
Reverse 1	6.2 km/h	3.9 mph
Reverse 2	10.9 km/h	6.8 mph
Reverse 3	18.6 km/h	11.6 mph
Reverse 4	26.4 km/h	16.4 mph

## Hydraulic Cycle Time

Raise	9.2 Seconds
Dump	3.4 Seconds
Lower, empty, float down	3.1 Seconds
Total Cycle Time	15.7 Seconds

## Bucket Capacities

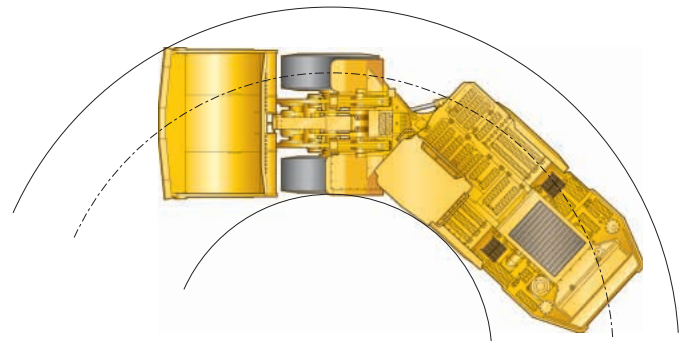
Bucket Capacity – Std.*	7.2 m <sup>3</sup>	9.4 yd <sup>3</sup>
Bucket Width (over cutting edge)	3154 mm	124.2 in
Bucket Capacity – Optional*	8.3 m <sup>3</sup>	10.9 yd <sup>3</sup>
Bucket Capacity – Optional*	8.9 m <sup>3</sup>	11.6 yd <sup>3</sup>

\* High penetration bucket versions also available.

## Turning Dimensions

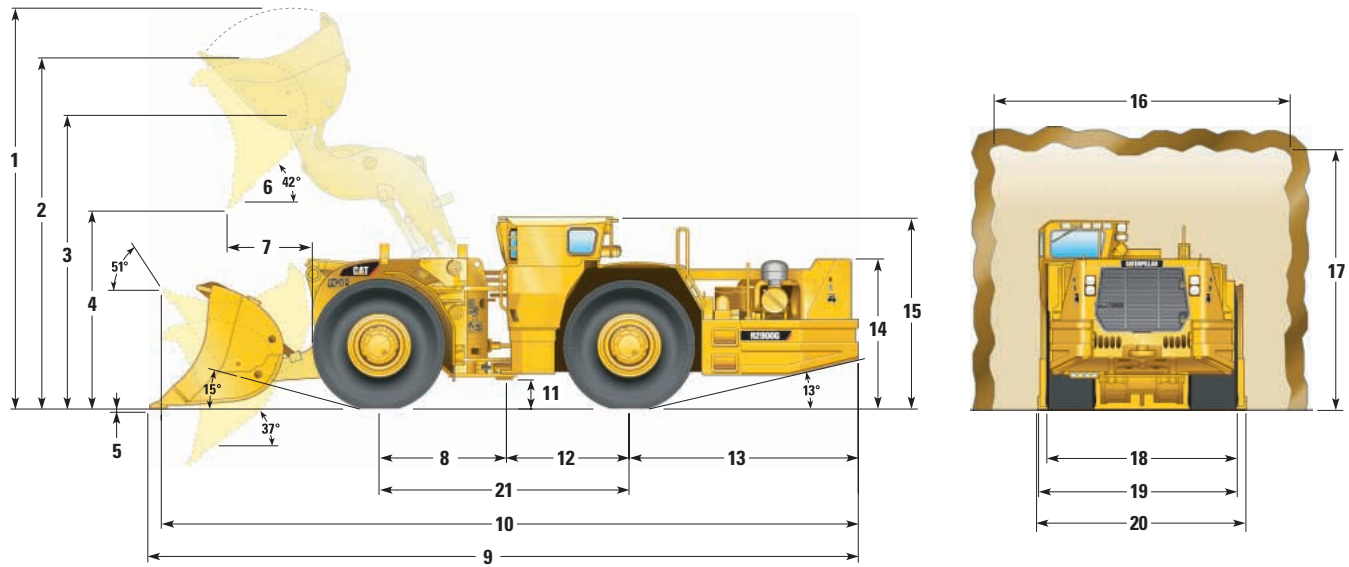
Outside Clearance Radius**	7323 mm	288.3 in
Inner Clearance Radius**	3383 mm	133.2 in
Axle Oscillation	8°	
Articulation Angle	42.5°	

\*\* Clearance dimensions are for reference only.



# Dimensions

All dimensions are approximate.



	249-4899 (Standard Bucket)*		249-4892*		249-4893*	
Bucket capacity	7.2 m <sup>3</sup>	(9.4 yd <sup>3</sup> )	8.3 m <sup>3</sup>	(10.9 yd <sup>3</sup> )	8.9 m <sup>3</sup>	(11.6 yd <sup>3</sup> )
Bucket width over cutting edge	3054 mm	(10 ft)	3154 mm	(10 ft 4 in)	3354 mm	(11 ft)
<b>1</b> Overall height – bucket raised	6179 mm	(20 ft 3 in)	6232 mm	(20 ft 6 in)	6232 mm	(20 ft 6 in)
<b>2</b> Maximum dump height	5427 mm	(17 ft 10 in)	5427 mm	(17 ft 10 in)	5427 mm	(17 ft 10 in)
<b>3</b> Bucket pin height at maximum lift	4539 mm	(14 ft 11 in)	4539 mm	(14 ft 11 in)	4539 mm	(14 ft 11 in)
<b>4</b> Dump clearance at maximum lift	2868 mm	(9 ft 5 in)	2735 mm	(9 ft)	2724 mm	(8 ft 11 in)
<b>5</b> Digging depth	52 mm	(2 in)	65 mm	(2.6 in)	65 mm	(2.6 in)
<b>6</b> Dump angle at maximum lift	42°		42°		42°	
<b>7</b> Reach	1656 mm	(5 ft 5 in)	1803 mm	(5 ft 11 in)	1817 mm	(6 ft)
<b>8</b> Centerline of front axle to centerline of hitch	1890 mm	(6 ft 2 in)	1890 mm	(6 ft 2 in)	1890 mm	(6 ft 2 in)
<b>9</b> Overall length (digging)	11 302 mm	(37 ft 1 in)	11 507 mm	(37 ft 9 in)	11 525 mm	(37 ft 10 in)
<b>10</b> Overall length (tramming)	10 949 mm	(35 ft 11 in)	11 073 mm	(36 ft 4 in)	11 083 mm	(36 ft 4 in)
<b>11</b> Ground clearance	465 mm	(1 ft 6 in)	465 mm	(1 ft 6 in)	465 mm	(1 ft 6 in)
<b>12</b> Centerline of back axle to centerline of hitch	1890 mm	(6 ft 2 in)	1890 mm	(6 ft 2 in)	1890 mm	(6 ft 2 in)
<b>13</b> Length – rear axle to bumper	3572 mm	(11 ft 9 in)	3572 mm	(11 ft 9 in)	3572 mm	(11 ft 9 in)
<b>14</b> Height to top of hood	2371 mm	(7 ft 9 in)	2371 mm	(7 ft 9 in)	2371 mm	(7 ft 9 in)
<b>15</b> Height to top of ROPS	2886 mm	(9 ft 6 in)	2886 mm	(9 ft 6 in)	2886 mm	(9 ft 6 in)
<b>16</b> Tunnel clearance width**	4500 mm	(14 ft 9 in)	4500 mm	(14 ft 9 in)	4500 mm	(14 ft 9 in)
<b>17</b> Tunnel clearance height**	4500 mm	(14 ft 9 in)	4500 mm	(14 ft 9 in)	4500 mm	(14 ft 9 in)
<b>18</b> Overall tire width	2898 mm	(9 ft 6 in)	2898 mm	(9 ft 6 in)	2898 mm	(9 ft 6 in)
<b>19</b> Overall width excluding bucket	3010 mm	(9 ft 10 in)	3010 mm	(9 ft 10 in)	3010 mm	(9 ft 10 in)
<b>20</b> Overall width including bucket	3176 mm	(10 ft 5 in)	3176 mm	(10 ft 5 in)	3176 mm	(10 ft 5 in)
<b>21</b> Wheelbase	3780 mm	(12 ft 5 in)	3780 mm	(12 ft 5 in)	3780 mm	(12 ft 5 in)

\*Dimensions shown with standard material bucket sizes. High penetration bucket versions also available.

\*\*Clearance dimensions are for reference only.