

**Caterpillar AD55B DT308**



<b>Make</b>	Caterpillar		<b>Model</b>	AD55B		
<b>Year</b>		<b>Hours</b>	39271		As at	01/09/2019
<b>Mileage</b>				km	As at	01/09/2019
<b>Serial/VIN</b>	DNW00567			<b>Engine Serial</b>		
<b>Details</b>	<p>Caterpillar AD55B Dump Truck asset # DT308.                  This truck was parked up in March 2019 while the front left tyres is off the rim as per photos and may need repairs prior to transport.                  Cabin glass is smashed on multiple panes and cracked on front window.                  Component hours report shows 7,261 hours life remaining on front and rear diffs, all Final drives and 1,261 hours life remaining on transmission.                  The work orders report for this Caterpillar AD55B Underground Dump Truck can be found in the GES Equipment Report PDF on the auction page for this asset.                  This unit is being offered for sale via online auction and is sold on an "As Is" basis running to drive on to buyers transport ex Tanami Mine site, Northern Territory.</p>					
<b>Asking price</b>	AUD	Under review - call for pricing				
<b>Ex site</b>	Australia, Northern Territory, Tanami					

**Service history**

Site maintenance team confirmed this unit was Running at time of decom.  
Component hours report shows 7,261 hours life remaining on front and rear diffs, all Final drives and 1,261 hours life remaining on transmission while torque converter is 5,800 hours past due and engine is 50 hours past due.

**For further details, to make an offer or book an inspection, contact  
Global Equipment Solutions on Office: 08 9201 1142**



















## HTK0308 CURRENT SMU HOURS

39271

equip #	Functional Location	Component	Serial Number	Last Performed Stat / Work Order	Frequency	Last Performed Date	Last Performed Hrs	Hrs Achieved	Hrs Remaining	% Life Remaining
0	2060-10-40-03-HTK0308-DRTR-AXA1-DIFF	Differential		ON: 28532H (24,000H REBUILD)	18000		28532	10739	7261	40%
0	2060-10-40-03-HTK0308-DRTR-AXA1-FID1	Final Drive Position 1		ON: 28532H (24,000H REBUILD)	18000		28532	10739	7261	40%
0	2060-10-40-03-HTK0308-DRTR-AXA1-FID2	Final Drive Position 2		ON: 28532H (24,000H REBUILD)	18000		28532	10739	7261	40%
0	2060-10-40-03-HTK0308-DRTR-AXA2-DIFF	Differential		ON: 28532H (24,000H REBUILD)	18000		28532	10739	7261	40%
0	2060-10-40-03-HTK0308-DRTR-AXA2-FID3	Final Drive Position 3		ON: 28532H (24,000H REBUILD)	18000		28532	10739	7261	40%
0	2060-10-40-03-HTK0308-DRTR-AXA2-FID4	Final Drive Position 4		ON: 28532H (24,000H REBUILD)	18000		28532	10739	7261	40%
0	2060-10-40-03-HTK0308-DRTR-TORQ	Torque Converter		ON: 21490H ELLIPSE WO 153814	12000		21490	17781	-5781	-48%
0	2060-10-40-03-HTK0308-DRTR-TRAN	Transmission		ON: 28532H (24,000H REBUILD)	12000		28532	10739	1261	11%
0	2060-10-40-03-HTK0308-ENSY	Engine System		ON: 27218H ELLIPSE WO 220999	12000		27218	12053	-53	0%



Code	Date	Asset ID	Description				
40LH	29/03/2019	6:30:00 2060-10-40-03-HTK0308	21344828 Backlog		13796/91	1IPL AWES	MI
40LH	22/03/2019	7:30:00 2060-10-40-03-HTK0308	12010091 1W Mech Service HTK0308			0 1IPL	SG
40LH	15/03/2019	7:30:00 2060-10-40-03-HTK0308	12003676 1W Mech Service HTK0308			0 1IPL	SG
40LH	8/03/2019	7:30:00 2060-10-40-03-HTK0308	11997478 1W Mech Service HTK0308			0 1IPL	SG
40LH	1/03/2019	19:30:00 2060-10-40-03-HTK0308	11991156 1W Mech Service HTK0308	Y19W09		0 2RTS	SG
40LH	25/02/2019	7:30:00 2060-10-40-03-HTK0308	21431612 Decommission HTK0308	Y19W09	471/8	3SCH	MN
40LH	22/02/2019	19:30:00 2060-10-40-03-HTK0308	11985155 1W Mech Service HTK0308			0 2RTS	SG
40LH	15/02/2019	19:30:00 2060-10-40-03-HTK0308	11978248 1W Mech Service HTK0308			0 2RTS	SG
40LH	8/02/2019	19:30:00 2060-10-40-03-HTK0308	11961552 1W Mech Service HTK0308			0 3SCH RS03	SG
40LH	8/02/2019	19:30:00 2060-10-40-03-HTK0308	11976959 1W Mech Service HTK0308	Y19W06		0 3SCH	SG
40LH	25/01/2019	19:30:00 2060-10-40-03-HTK0308	11961049 1W Mech Service HTK0308	Y19W04	353/85	3SCH	SG
40LH	18/01/2019	19:30:00 2060-10-40-03-HTK0308	11950301 1W Mech Service HTK0308	Y19W03		0 2RTS	SG
40LH	17/01/2019	21:56:40 2060-10-40-03-HTK0308	11962634 330H ZM Service Truck AD55-DNW HTK0308	Y19W03	2299/21	3SCH	SG
40LH	11/01/2019	19:30:00 2060-10-40-03-HTK0308	11949544 1W Mech Service HTK0308	Y19W02	353/85	3SCH	SG
40LH	4/01/2019	19:30:00 2060-10-40-03-HTK0308	11938042 1W Mech Service HTK0308	Y19W01	235/9	3SCH	SG
40LH	28/12/2018	19:30:00 2060-10-40-03-HTK0308	11937561 1W Mech Service HTK0308	Y18W52	368/01	3SCH	SG
40LH	21/12/2018	19:30:00 2060-10-40-03-HTK0308	11927723 1W Mech Service HTK0308	Y18W51	659/2	3SCH	SG
40LH	15/12/2018	7:30:00 2060-10-40-03-HTK0308-OPCB-ACSY	21387261 Repair Air Conitioner not Cold		1025/33	1IPL	MI
40LH	14/12/2018	19:30:00 2060-10-40-03-HTK0308	11921906 1W Mech Service HTK0308	Y18W50	368/01	3SCH	SG
40LH	7/12/2018	19:30:00 2060-10-40-03-HTK0308	11916337 1W Mech Service HTK0308	Y18W49	245/34	3SCH	SG
40LH	30/11/2018	19:30:00 2060-10-40-03-HTK0308	11910428 1W Mech Service HTK0308	Y18W48	368/01	3SCH	SG
40LH	23/11/2018	19:30:00 2060-10-40-03-HTK0308	11904393 1W Mech Service HTK0308	Y18W47		0 3SCH	SG
40LH	16/11/2018	19:30:00 2060-10-40-03-HTK0308	11898616 1W Mech Service HTK0308	Y18W46	368/01	3SCH	SG
40LH	9/11/2018	19:30:00 2060-10-40-03-HTK0308	11892434 1W Mech Service HTK0308	Y18W45	386/88	3SCH	SG
40LH	2/11/2018	19:30:00 2060-10-40-03-HTK0308	11886651 1W Mech Service HTK0308	Y18W44	368/01	3SCH	SG
40LH	26/10/2018	19:30:00 2060-10-40-03-HTK0308	11880873 1W Mech Service HTK0308	Y18W43	245/34	3SCH	SG
40LH	19/10/2018	19:30:00 2060-10-40-03-HTK0308	11874793 1W Mech Service HTK0308	Y18W42	245/34	3SCH	SG
40LH	12/10/2018	19:30:00 2060-10-40-03-HTK0308	11868990 1W Mech Service HTK0308	Y18W41	777/26	3SCH	SG
40LH	5/10/2018	19:30:00 2060-10-40-03-HTK0308	11863355 1W Mech Service HTK0308	Y18W40	368/01	3SCH	SG
40LH	28/09/2018	19:30:00 2060-10-40-03-HTK0308	11857345 1W Mech Service HTK0308	Y18W39	245/34	3SCH	SG
40LH	21/09/2018	19:30:00 2060-10-40-03-HTK0308	11851852 1W Mech Service HTK0308	Y18W38	245/34	3SCH	SG
40LH	21/09/2018	19:30:00 2060-10-40-03-HTK0308-ENSY-COSY	21323839 SOS ALERT - FLUSH COOLING SYSTEM	Y18W38	368/01	3SCH	MN
40LH	14/09/2018	19:30:00 2060-10-40-03-HTK0308	11846017 1W Mech Service HTK0308	Y18W37		0 3SCH	SG
40LH	12/09/2018	19:30:00 2060-10-40-03-HTK0308	11804105 990H ZM Service Truck AD55-DNW HTK0308	Y18W37	3274/62	3SCH	SG
40LH	7/09/2018	19:30:00 2060-10-40-03-HTK0308	11839874 1W Mech Service HTK0308	Y18W36	245/34	3SCH	SG
40LH	2/09/2018	10:18:15 2060-10-40-03-HTK0308	11834111 1W Mech Service HTK0308			0 2RTS	SG
40LH	24/08/2018	19:30:00 2060-10-40-03-HTK0308	11828219 1W Mech Service HTK0308	Y18W34		0 2RTS	SG
40LH	17/08/2018	19:30:00 2060-10-40-03-HTK0308	11821831 1W Mech Service HTK0308	Y18W33	61/34	3SCH	SG
40LH	10/08/2018	19:30:00 2060-10-40-03-HTK0308	11815411 1W Mech Service HTK0308	Y18W32	245/34	3SCH	SG
40LH	3/08/2018	19:30:00 2060-10-40-03-HTK0308	11809377 1W Mech Service HTK0308	Y18W31	245/34	3SCH	SG
40LH	27/07/2018	19:30:00 2060-10-40-03-HTK0308	11803515 1W Mech Service HTK0308	Y18W30	368/01	3SCH	SG
40LH	20/07/2018	19:30:00 2060-10-40-03-HTK0308	11797188 1W Mech Service HTK0308	Y18W29	490/68	3SCH	SG
40LH	20/07/2018	19:30:00 2060-10-40-03-HTK0308-HYSY-HSVV	21246374 C/O Brake Cooling Lines	Y18W29	1067/09	3SCH	MN
40LH	13/07/2018	19:30:00 2060-10-40-03-HTK0308	11791131 1W Mech Service HTK0308	Y18W28	245/34	3SCH	SG
40LH	6/07/2018	19:30:00 2060-10-40-03-HTK0308	11784751 1W Mech Service HTK0308	Y18W27		0 3SCH	SG
40LH	29/06/2018	19:30:00 2060-10-40-03-HTK0308	11778553 1W Mech Service HTK0308	Y18W26	368/01	3SCH	SG
40LH	22/06/2018	19:30:00 2060-10-40-03-HTK0308	11773191 1W Mech Service HTK0308	Y18W25	245/34	3SCH	SG
40LH	15/06/2018	19:30:00 2060-10-40-03-HTK0308	11766750 1W Mech Service HTK0308	Y18W24	245/34	3SCH	SG
40LH	9/06/2018	7:30:00 2060-10-40-03-HTK0308-FSSY	11717565 12M Fire Suppression Inspection	Y18W23	368/01	3SCH	SG
40LH	8/06/2018	19:30:00 2060-10-40-03-HTK0308	11759495 1W Mech Service HTK0308	Y18W23	32/62	3SCH	SG
40LH	1/06/2018	19:30:00 2060-10-40-03-HTK0308	11753541 1W Mech Service HTK0308	Y18W22	490/68	3SCH	SG
40LH	25/05/2018	19:30:00 2060-10-40-03-HTK0308	11747882 1W Mech Service HTK0308	Y18W21	306/68	3SCH	SG
40LH	18/05/2018	19:30:00 2060-10-40-03-HTK0308	11741857 1W Mech Service HTK0308	Y18W20	245/34	3SCH	SG
40LH	18/05/2018	19:30:00 2060-10-40-03-HTK0308-DRTR-TRAN	21206309 drop box shaft seal	Y18W20	799/3	3SCH	MN
40LH	17/05/2018	7:30:00 2060-10-40-03-HTK0308-FSSY-TVRE	21243129 Repair AFFF System Leak		2584/02	1IPL	MI
40LH	11/05/2018	19:30:00 2060-10-40-03-HTK0308	11735475 1W Mech Service HTK0308	Y18W19	245/34	3SCH	SG
40LH	5/05/2018	15:54:43 2060-10-40-03-HTK0308	11729553 1W Mech Service HTK0308	Y18W18		0 2RTS	SG
40LH	27/04/2018	19:30:00 2060-10-40-03-HTK0308	11723493 1W Mech Service HTK0308	Y18W17	245/34	3SCH	SG
40LH	27/04/2018	19:30:00 2060-10-40-03-HTK0308-HYSY-HSVV	21206310 c/o axle cooling hoses	Y18W17	784/63	3SCH	MN
40LH	20/04/2018	19:30:00 2060-10-40-03-HTK0308	11717692 1W Mech Service HTK0308	Y18W16	245/34	3SCH	SG
40LH	13/04/2018	19:30:00 2060-10-40-03-HTK0308	11711223 1W Mech Service HTK0308	Y18W15	368/01	3SCH	SG
40LH	6/04/2018	19:30:00 2060-10-40-03-HTK0308	11705163 1W Mech Service HTK0308	Y18W14	490/68	3SCH	SG
40LH	30/03/2018	19:30:00 2060-10-40-03-HTK0308	11698336 1W Mech Service HTK0308	Y18W13	245/34	3SCH	SG
40LH	27/03/2018	7:30:00 2060-10-40-03-HTK0308-ENSY-ECSY	21207666 Replace Alternator		1314/98	1IPL	MI
40LH	23/03/2018	7:30:00 2060-10-40-03-HTK0308-FRBO	21205625 c/o tray pads		544/73	1IPL	MN
40LH	23/03/2018	19:30:00 2060-10-40-03-HTK0308	11692232 1W Mech Service HTK0308	Y18W12	245/34	3SCH	SG
40LH	22/03/2018	7:30:00 2060-10-40-03-HTK0308-DRTR-TORQ	21204680 Repair T/Converter Scavenge Pipe		736/02	1IPL	MI
40LH	21/03/2018	7:30:00 2060-10-40-03-HTK0308-FSSY-HOSE	21203880 Repair AFFF System Low Pressure		981/36	1IPL	MI
40LH	16/03/2018	19:30:00 2060-10-40-03-HTK0308	11686031 1W Mech Service HTK0308	Y18W11		0 3SCH	SG
40LH	11/03/2018	14:59:00 2060-10-40-03-HTK0308	11652427 660H ZM Service Truck AD55-DNW HTK0308	Y18W09	5618/47	3SCH	SG
40LH	9/03/2018	19:30:00 2060-10-40-03-HTK0308	11678928 1W Mech Service HTK0308	Y18W10	245/34	3SCH	SG
40LH	2/03/2018	6:30:00 2060-10-40-03-HTK0308	11672870 1W Mech Service HTK0308			0 1IPL	SG
40LH	23/02/2018	19:30:00 2060-10-40-03-HTK0308	11667101 1W Mech Service HTK0308	Y18W08	245/34	3SCH	SG
40LH	17/02/2018	7:30:00 2060-10-40-03-HTK0308	11661056 1W Mech Service HTK0308	Y18W07		0 3SCH	SG
40LH	9/02/2018	19:30:00 2060-10-40-03-HTK0308	11655031 1W Mech Service HTK0308	Y18W06	245/34	3SCH	SG
40LH	2/02/2018	19:30:00 2060-10-40-03-HTK0308	11649212 1W Mech Service HTK0308	Y18W05	442/58	3SCH	SG
40LH	26/01/2018	19:30:00 2060-10-40-03-HTK0308	11642892 1W Mech Service HTK0308	Y18W04	245/34	3SCH	SG
40LH	19/01/2018	19:30:00 2060-10-40-03-HTK0308	11636040 1W Mech Service HTK0308	Y18W03		0 3SCH	SG
40LH	12/01/2018	19:30:00 2060-10-40-03-HTK0308	11629846 1W Mech Service HTK0308	Y18W02	300	3SCH	SG

40LH	4/01/2018	19:30:00	2060-10-40-03-HTK0308	11624050	1W Mech Service HTK0308	Y18W01		0	3SCH	SG	
40LH	28/12/2017	19:30:00	2060-10-40-03-HTK0308	11618277	1W Mech Service HTK0308	Y17W52		300	3SCH	SG	
40LH	21/12/2017	19:30:00	2060-10-40-03-HTK0308	11612238	1W Mech Service HTK0308	Y17W51			0	3SCH	SG
40LH	11/12/2017	19:30:00	2060-10-40-03-HTK0308	11529255	330H ZM Service Truck AD55-DNW HTK0308	Y17W50	2477/48		3SCH	SG	
40LH	10/12/2017	19:30:00	2060-10-40-03-HTK0308	11606314	1W Mech Service HTK0308	Y17W49		150	3SCH	SG	
40LH	8/12/2017	7:30:00	2060-10-40-03-HTK0308	11602093	1W Mech Service HTK0308			300	2RTS	SG	
40LH	2/12/2017	7:30:00	2060-10-40-03-HTK0308	11601807	1W Mech Service HTK0308	Y17W48			0	3SCH	SG
40LH	2/12/2017	7:30:00	2060-10-40-03-HTK0308-FSSY	11451266	6M Fire Suppression Inspection	Y17W48		300	3SCH	SG	
40LH	25/10/2017	0:00:00	2060-10-40-03-HTK0308-HYSY	21102290	Repair Hyd oil leak			1,050.00	1IPL	MI	
40LH	21/10/2017	7:30:00	2060-10-40-03-HTK0308-HYSY	21099337	Repair Oil Leak			1228/58	1IPL	MN	
40LH	13/08/2017	7:30:00	2060-10-40-03-HTK0308-ENSY-COSY	21050329	Replace Turbo Coolant Hose			206/75	1IPL	MI	
40LH	11/08/2017	7:30:00	2060-10-40-03-HTK0308-HYSY-HSVV	21048008	Hyd oil leak/Operator called up reportin			1,050.00	1IPL	MI	
40LH	11/08/2017	19:30:00	2060-10-40-03-HTK0308-HYSY-HYCY-CYL2	20928182	C/O Pos 2 Hoist Cyl	Y17W32		15343/33	3SCH	MN	
40LH	10/08/2017	7:30:00	2060-10-40-03-HTK0308-HYSY-HSVV	21048448	Replace steering diverter hose			1346/48	2RTS	MN	
40LH	21/07/2017	7:30:00	2060-10-40-03-HTK0308-DRTR-DRLN	21035673	CENTRE drive shaft and drop box yoke has				0	1IPL AWQU	MN
40LH	17/07/2017	7:30:00	2060-10-40-03-HTK0308-ENSY	21032003	c/o boost hoses			433/89	1IPL	MN	
40LH	16/07/2017	7:30:00	2060-10-40-03-HTK0308	11451444	1980H ZM Service Truck AD55-DNW HTK0308	Y17W28		4270/16	3SCH	SG	
40LH	16/07/2017	19:30:00	2060-10-40-03-HTK0308	21007832	Seat needs changing out	Y17W28			150	3SCH	MN
40LH	16/07/2017	19:30:00	2060-10-40-03-HTK0308	21007833	Aircon needs attention	Y17W28			150	3SCH	MN
40LH	16/07/2017	19:30:00	2060-10-40-03-HTK0308-OPCB	21020935	RHS head light not working	Y17W28			150	3SCH	MN
20EL	6/07/2017	6:30:00	2060-10-40-03-HTK0308	21023710	Radio fault DT308				300	2RTS	MI
40LH	21/06/2017	7:30:00	2060-10-40-03-HTK0308	11036993	3000H PCR AD55-DNW				0	1IPL	SG
40LH	19/06/2017	0:00:00	2060-10-40-03-HTK0308-OPCB-ACSY	21012301	air con blowing hot air				0	1IPL	MN
40LH	6/06/2017	7:30:00	2060-10-40-03-HTK0308-OPCB-SEAT	21004617	Inspect/Repair Seat				75	1IPL	MI
40LH	4/06/2017	0:00:00	2060-10-40-03-HTK0308-OPCB-ACSY	21003837	air con u/s			1357/14	1IPL	MN	
40LH	22/05/2017	7:30:00	2060-10-40-03-HTK0308-FSSY	11430774	12M Fire Suppression Inspection	Y17W21		450	3SCH	SG	
40LH	1/05/2017	7:30:00	2060-10-40-03-HTK0308	11400768	Component Change Batteries				0	1IPL	SG
40LH	1/05/2017	7:30:00	2060-10-40-03-HTK0308	11400771	Component Change Operators Seat				0	1IPL	SG
40LH	1/05/2017	7:30:00	2060-10-40-03-HTK0308-DRTR	11400767	Component Change T/Con Lockup Valve/Sole				0	1IPL	SG
40LH	1/05/2017	7:30:00	2060-10-40-03-HTK0308-DRTR-DRLN	11400770	Component Change U/Joint Convertor D/Sha				0	1IPL	SG
40LH	1/05/2017	7:30:00	2060-10-40-03-HTK0308-ENSY	11400766	Component Change Drive Belt/Alt/Aircon				0	1IPL	SG
40LH	1/05/2017	7:30:00	2060-10-40-03-HTK0308-ENSY-COSY	11400769	Component Change Engine Thermostat				0	1IPL	SG
40LH	1/05/2017	7:30:00	2060-10-40-03-HTK0308-FRBO	11400764	Component Change Auto Lube Grease Pump				0	1IPL	SG
40LH	1/05/2017	7:30:00	2060-10-40-03-HTK0308-OPCB-ACSY	11400772	Component Change Aircon Compressor				0	1IPL	SG
40LH	25/04/2017	7:30:00	2060-10-40-03-HTK0308-FSSY-TVRE	20978147	AFFF Discharge				0	2RTS	MN
40LH	24/04/2017	6:30:00	2060-10-40-03-HTK0308-FSSY-HOSE	20977348	AFFF has discharged/			222	1IPL	MI	
40LH	18/04/2017	7:30:00	2060-10-40-03-HTK0308	11315825	Service Haul Truck AD55-DNW ZM 660Hr	Y17W16		5741/12	3SCH	SG	
40LH	18/04/2017	19:30:00	2060-10-40-03-HTK0308-HYSY-HSVV	20889816	C/O leaking brake cooling hose	Y17W16		638/47	3SCH	MN	
40LH	18/04/2017	19:30:00	2060-10-40-03-HTK0308-HYSY-HSVV	20896931	c/o brake cooling hoses	Y17W16		584/76	3SCH	MN	
40LH	16/04/2017	0:00:00	2060-10-40-03-HTK0308-FSSY	20972482	Repair AFFF			151/2	1IPL	MI	
40LH	26/02/2017	7:00:00	2060-10-40-03-HTK0308	11324513	Component Change Wheel Rim Assy				0	1IPL	SG
40LH	27/01/2017	7:30:00	2060-10-40-03-HTK0308-OPCB-ACSY	20918714	Inspect Repair A/Con	Y17W04			0	3SCH	MN
40LH	24/01/2017	7:00:00	2060-10-40-03-HTK0308-HYSY-STSY-CYS1	11324510	Reseal Steering Cylinder Pos 1				0	1IPL	SG
40LH	24/01/2017	7:00:00	2060-10-40-03-HTK0308-HYSY-STSY-CYS2	11324514	Reseal Steering Cylinder Pos 2				0	1IPL	SG
40LH	21/01/2017	0:00:00	2060-10-40-03-HTK0308-OPCB-ACSY	20918392	Repair A/C fault				0	1IPL	MI
40LH	18/01/2017	7:00:00	2060-10-40-03-HTK0308-HYSY-HYCY-CYL2	20916121	insp/Rep Pos 2 lift cyl leak				0	1IPL	MI
40LH	13/01/2017	0:00:00	2060-10-40-03-HTK0308-DRTR	20912528	Oil leak from Transmission			802/07	1IPL	MN	
40LH	28/12/2016	7:00:00	2060-10-40-03-HTK0308-HYSY-HSVV	20903440	Repair Hydraulic Oil Leak			4616/62	1IPL	MI	
40LH	12/12/2016	7:30:00	2060-10-40-03-HTK0308-FSSY	11288962	6M Fire Suppression Inspection	DBSAFF16			0	3SCH	SG
40LH	7/12/2016	7:00:00	2060-10-40-03-HTK0308-ENSY	11287277	3000H AD55 Injector / Valve Set				0	1IPL	SG
40LH	9/11/2016	7:00:00	2060-10-40-03-HTK0308-OPCB-ACSY	20874552	Repair A/C not working			1451/09	1IPL	MI	
40LH	26/10/2016	7:30:00	2060-10-40-03-HTK0308-HYSY-HYCY-CYL2	20850537	INSPECT/REPAIR P2 LIFT CYL LEAK	Y16W43			0	3SCH	MN
40LH	21/10/2016	7:00:00	2060-10-40-03-HTK0308-OPCB-ECSY	20862707	Will not start/No power to start relay/			977/92	1IPL	MI	
40LH	12/10/2016	19:30:00	2060-10-40-03-HTK0308	11184762	Service Haul Truck AD55-DNW ZM 330Hr	Y16W41		1223/03	3SCH	SG	
40LH	11/10/2016	7:30:00	2060-10-40-03-HTK0308-OPCB	20776302	Inspect transmission leak	Y16W41			0	3SCH	MN
40LH	7/10/2016	7:00:00	2060-10-40-03-HTK0308-HYSY-HSVV	20700715	Replace cabin door window	Y16W41		1181/23	3SCH	MN	
40LH	6/09/2016	7:00:00	2060-10-40-03-HTK0308-HYSY-HSVV	20853347	Oil leak behind hyd tank			600	1IPL	MI	
40LH	5/09/2016	7:00:00	2060-10-40-03-HTK0308-DRTR-AXA1-TYR1	20834417	C/O HYD HOSE			1,725.00	1IPL	MN	
40LH	5/09/2016	7:30:00	2060-10-40-03-HTK0308-DRTR	20834482	Make Up Tyres				0	1IPL	MN
40LH	3/08/2016	7:00:00	2060-10-40-03-HTK0308-OPCB-ACSY	20815319	C/O POS#3 Mismatched	Y16W36		1170/25	2RTS	MN	
40LH	26/07/2016	7:30:00	2060-10-40-03-HTK0308-ENSY-LUSY	20813933	Air/con blowing hot air			395/28	1IPL	MN	
Z4RE	23/07/2016	7:00:00	2060-10-40-03-HTK0308-FRBO	20781651	SOS ALERT - CUT OPEN ENG FILTER	Y16W30		434/29	3SCH	MN	
Z4RE	23/07/2016	7:00:00	2060-10-40-03-HTK0308-FRBO	11116765	Reseal Suspension Cylinder Pos1				0	1IPL	SG
40LH	20/05/2016	7:30:00	2060-10-40-03-HTK0308	11116772	Reseal Suspension Cylinder Pos2				0	1IPL	SG
40LH	20/05/2016	7:30:00	2060-10-40-03-HTK0308	11109500	1000H AD55 Measure Brake Wear	Y16W20			0	3SCH	SG
40LH	19/05/2016	19:30:00	2060-10-40-03-HTK0308	11109501	1000H AD55 Check Brake/Susp Accum	Y16W20			0	3SCH	SG
20EL	19/05/2016	19:30:00	2060-10-40-03-HTK0308	11108410	Service Haul Truck AD55-DNW ZM 990Hr	Y16W20		1789/78	3SCH	SG	
40LH	16/05/2016	7:00:00	2060-10-40-03-HTK0308-HYSY-HSVV	11108411	1000H Proximity System Inspection	Y16W20			0	3SCH RS03	SG
40LH	9/05/2016	0:00:00	2060-10-40-03-HTK0308-FSSY	20767262	REPAIR HYD HOSES LEAKING			2513/86	1IPL	MI	
40LH	17/03/2016	7:00:00	2060-10-40-03-HTK0308-DRTR-AXA2-TYR3	11098404	12M Fire Suppression Inspection	DBSAFF16			0	1IPL	SG
40LH	16/03/2016	7:30:00	2060-10-40-03-HTK0308	20703678	C/O Pos 3 tyre - damaged o'ring				0	1IPL	MN
40LH	16/03/2016	19:30:00	2060-10-40-03-HTK0308-FRBO	11069656	Service Haul Truck AD55-DNW ZM 660Hr	Y16W11		6070/61	3SCH	SG	
40LH	11/03/2016	7:00:00	2060-10-40-03-HTK0308-HYSY-HSVV	20700711	Repair pos 1 step BM D/S	Y16W11			0	3SCH	MN
40LH	3/03/2016	7:00:00	2060-10-40-03-HTK0308-ENSY-ECSY	20700333	C/O Hydraulic Hose			4,950.00	1IPL	MN	
40LH	20/01/2016	7:30:00	2060-10-40-03-HTK0308	20695708	Replace flat batteries			857/04	1IPL	MI	
40LH	11/01/2016	7:00:00	2060-10-40-03-HTK0308-OPCB-ACSY	11035926	Service Haul Truck AD55-DNW ZM 330Hr	Y16W03		3971/24	3SCH	SG	
40LH	18/12/2015	7:00:00	2060-10-40-03-HTK0308-HYSY	20614528	repair a/c fan	DBS S5			0	1IPL	MI
40LH	30/11/2015	0:00:00	2060-10-40-03-HTK0308-FSSY	20652228	C/O Hydraulic Hose			675	1IPL	MN	
40LH	10/11/2015	0:00:00	2060-10-40-03-HTK0308	10984607	6M Fire Suppression Inspection	DBSAFF15			0	2RTS	SG
40LH	10/11/2015	0:00:00	2060-10-40-03-HTK0308	10658110	1000H AD55 Measure Brake Wear	Y15W47		150	3SCH	SG	



40LH	10/11/2015	6:00:00	2060-10-40-03-HTK0308	10500347	1000H AD55 Check Brake/Susp Accum	Y15W47		0	3SCH	SG
40LH	10/11/2015	6:00:00	2060-10-40-03-HTK0308	10674186	Service Haul Truck AD55-DNW ZM 1980Hr	Y15W46	4300/75	3SCH		SG
40LH	8/11/2015	6:00:00	2060-10-40-03-HTK0308	10500356	3000H AD55 Engine Performance Test			0	1IPL	SG
40LH	8/11/2015	6:00:00	2060-10-40-03-HTK0308-HYSY	10532509	3000H AD55 Hydraulic Tuneup			0	1IPL	SG
40LH	20/10/2015	6:00:00	2060-10-40-03-HTK0308-OPCB-SEAT	20619713	Repair Seat Airbag		3295/81	1IPL		MN
Z4RE	20/09/2015	6:00:00	2060-10-40-03-HTK0308-DRTR-TRAN	40007863	Component Change Transmission			0	1IPL	SG
20EL	14/09/2015	6:00:00	2060-10-40-03-HTK0308	10674187	1000H Proximity System Inspection			0	1IPL	SG
40LH	8/09/2015	6:00:00	2060-10-40-03-HTK0308-HYSY	20596546	Repair Hydraulic Leak		2026/36	1IPL		MN
40LH	2/09/2015	6:00:00	2060-10-40-03-HTK0308-ENSY-LUSY	20592960	Replace leaking turbo feed hose		999/78	1IPL		MI
40LH	23/08/2015	0:00:00	2060-10-40-03-HTK0308-OPCB-ECSY	20587499	repair broken tub lever			0	1IPL	MI
40LH	3/08/2015	0:00:00	2060-10-40-03-HTK0308-FSSY	20562579	6M Fire Suppression Inspection	DBSAFF14		0	2RTS	SG
40LH	27/07/2015	6:00:00	2060-10-40-03-HTK0308-DRTR	20572492	R retorque all wheels			0	1IPL	MI
40LH	23/07/2015	6:00:00	2060-10-40-03-HTK0308-OPCB	20570659	repair door handle			0	1IPL	MI
40LH	22/07/2015	6:00:00	2060-10-40-03-HTK0308-DRTR	20569080	C/O ALL TYRES	Y15W30		0	3SCH	MN
40LH	21/07/2015	6:00:00	2060-10-40-03-HTK0308	10629546	Service Haul Truck AD55-DNW ZM 660Hr	Y15W30	4023/9	3SCH		SG
40LH	11/07/2015	0:00:00	2060-10-40-03-HTK0308-DRTR-AXA2-TYR4	20563963	C/O POS 4 TYRE		750	1IPL		MI
40LH-TAD	11/07/2015	6:00:00	2060-10-40-03-HTK0308-FRBO-ECSY	20564149	Inspect/Repair reverse lights	DBS S1		0	1IPL	MI
40LH-TAI	11/07/2015	6:00:00	2060-10-40-03-HTK0308-OPCB	20564150	Inspect/Repair operators seat	DBS S1		0	1IPL	MI
40LH	16/06/2015	6:00:00	2060-10-40-03-HTK0308-OPCB	20550028	Insp/Rep Cracked Window	DBS S1	450	1IPL		MN
40LH	1/06/2015	0:00:00	2060-10-40-03-HTK0308-FSSY	10865501	12M Fire Suppression Inspection	DBSAFF15		0	2RTS	SG
40LH	1/06/2015	6:00:00	2060-10-40-03-HTK0308-OPCB-ECSY	20541956	DT308 isolation u/s	DBS S1	232/47	1IPL		MN
40LH	19/03/2015	6:00:00	2060-10-40-03-HTK0308	10586328	Service Haul Truck AD55-DNW ZM 330Hr	Y15W12	2632/17	3SCH		SG
40LH	24/12/2014	6:00:00	2060-10-40-03-HTK0308-ENSY-ECSY	20460773	Replace faulty alternator		450	1IPL		MI
40LH	29/11/2014	0:00:00	2060-10-40-03-HTK0308-FSSY	10545563	12M Fire Suppression Inspection	Y14W25		0	1IPL	SG
40LH	25/11/2014	6:00:00	2060-10-40-03-HTK0308-DRTR	20446642	Repair retarder fault		896/72	1IPL		MI
40LH	1/09/2014	6:00:00	2060-10-40-03-HTK0308	20404713	Inspect / repair retarder fault	DBS S1		0	1IPL	MN
40LH	23/08/2014	6:00:00	2060-10-40-03-HTK0308-OPCB-ECSY	20400681	Insp/Rep Retarder fault	DBS S1		0	1IPL	MI
40LH	30/06/2014	6:00:00	2060-10-40-03-HTK0308-FRBO-ARTC	20373704	inspect /repair centre hitch pin	DBS S1	88/8	1IPL		MI
40LH	31/05/2014	0:00:00	2060-10-40-03-HTK0308-FSSY	10513059	6M Fire Suppression Inspection	Y14W20		0	1IPL	SG
40LH	20/05/2014	6:00:00	2060-10-40-03-HTK0308-OPCB-SEAT	20353533	REPAIR SEAT STRUTS		315/67	1IPL		MI
40LH	21/04/2014	6:00:00	2060-10-40-03-HTK0308	10429578	Service Haul Truck AD55-DNW ZM 990Hr	Y14W17	4374/16	3SCH		SG
20EL	21/04/2014	6:00:00	2060-10-40-03-HTK0308	10429579	1000H Proximity System Inspection	Y14W17	150	3SCH		SG
40LH	25/03/2014	6:00:00	2060-10-40-03-HTK0308-DRTR-AXA2-TYR4	20325775	RE-TORQUE POS 4 TYRE		71/25	1IPL		MN
40LH	23/03/2014	0:00:00	2060-10-40-03-HTK0308-FSSY	10475111	Service Fire Suppression 12M	NOT REQ		0	1IPL	SG
40LH	20/03/2014	6:00:00	2060-10-40-03-HTK0308-DRTR-AXA2-FID4	20323488	C/O Pos 4 tyre		285	1IPL		MI
40LH	6/03/2014	6:00:00	2060-10-40-03-HTK0308-ENSY	10487822	3000H AD55 Injector / Valve Set	NOT REQ		0	1IPL	SG
40LH	28/02/2014	6:00:00	2060-10-40-03-HTK0308-OPCB-SEAT	20313732	REPAIR SEAT/AIRBAG		92/06	1IPL		MN
40LH	27/02/2014	6:00:00	2060-10-40-03-HTK0308-OPCB-SEAT	20313028	repair/replace seat	DBS S1		0	1IPL	MN
40LH	16/01/2014	6:00:00	2060-10-40-03-HTK0308-DRTR-AXA2-TYR4	20291819	C/O pos 4 tyre		368/24	1IPL		MI
40LH	16/01/2014	6:00:00	2060-10-40-03-HTK0308-DRTR-AXA2-WHR4	20291920	R retorque pos 4 wheel	DBS S1		0	1IPL	MI
40LH	6/01/2014	6:00:00	2060-10-40-03-HTK0308-OPCB	20286677	Windscreen wipers need replacing	DBS S1		0	1IPL	MN
Z4RE	11/12/2013	6:00:00	2060-10-40-03-HTK0308-DRTR-TRAN	10412887	Component Change Transmission	Y13W50	2127/43	3SCH		SG
40LH	25/11/2013	0:00:00	2060-10-40-03-HTK0308-FSSY	10327114	Inspection Fire Suppression System 6M	Y13W41		0	1IPL	SG
40LH	25/11/2013	0:00:00	2060-10-40-03-HTK0308-FSSY	10337561	6M Fire Suppression Inspection Mobile			0	3SCH	SG
40LH	23/11/2013	6:00:00	2060-10-40-03-HTK0308	10357835	Service Haul Truck AD55-DNW ZM 660Hr	Y13W47	1,845.00	3SCH		SG
40LH	27/10/2013	6:00:00	2060-10-40-03-HTK0308	10355339	Inspection Mag Plug 1Wk			0	1IPL	SG
40LH	20/10/2013	6:00:00	2060-10-40-03-HTK0308	10350200	Inspection Mag Plug 1Wk			0	1IPL	SG
40LH	13/10/2013	6:00:00	2060-10-40-03-HTK0308	10345347	Inspection Mag Plug 1Wk			0	1IPL	SG
Z4BM	7/10/2013	6:00:00	2060-10-40-03-HTK0308-IMAT-DUBO	20243530	Tube Repairs - details in Notification	DBS S5		0	2RTS	MN
40LH	6/10/2013	6:00:00	2060-10-40-03-HTK0308	10338686	Service Haul Truck AD55-DNW ZM 330Hr	Y13W40	1617/85	3SCH		SG
40LH	6/10/2013	6:00:00	2060-10-40-03-HTK0308	10340272	Inspection Mag Plug 1Wk	Y13W40		0	1IPL	SG
40LH	27/09/2013	6:00:00	2060-10-40-03-HTK0308	10335121	Inspection Mag Plug 1Wk	Y13W39		0	3SCH	SG
40LH	22/09/2013	6:00:00	2060-10-40-03-HTK0308	10329671	Inspection Mag Plug 1Wk	Y13W38		0	3SCH	SG
40LH	13/09/2013	6:00:00	2060-10-40-03-HTK0308	10324555	Inspection Mag Plug 1Wk	Y13W37		0	3SCH	SG
40LH	8/09/2013	6:00:00	2060-10-40-03-HTK0308	10319621	Inspection Mag Plug 1Wk	Y13W36		0	3SCH	SG
40LH	1/09/2013	6:00:00	2060-10-40-03-HTK0308	10314555	Inspection Mag Plug 1Wk	Y13W35	48/45	3SCH		SG
40LH	25/08/2013	6:00:00	2060-10-40-03-HTK0308	10309691	Inspection Mag Plug 1Wk			0	1IPL	SG
40LH	21/08/2013	6:00:00	2060-10-40-03-HTK0308-OPCB-ECSY	20137318	Inspect/repair high beam indicator n/w	DBS S1	130/02	1IPL		MN
40LH	20/08/2013	6:00:00	2060-10-40-03-HTK0308	10232999	Service Haul Truck AD55-DNW ZM 1980Hr	Y13W34	3588/66	3SCH		SG
40LH	18/08/2013	6:00:00	2060-10-40-03-HTK0308	10304628	Inspection Mag Plug 1Wk			0	1IPL	SG
40LH	14/08/2013	6:00:00	2060-10-40-03-HTK0308	10280735	Service Haul Truck AD55-DNW ZM 990Hr			0	1IPL	SG
Z4RE	13/08/2013	6:00:00	2060-10-40-03-HTK0308	10110952	Modification Vehicle Decommission/Dispos			0	1IPL	SG
40LH	9/08/2013	6:00:00	2060-10-40-03-HTK0308	10299589	Inspection Mag Plug 1Wk	Y13W32		0	3SCH	SG
40LH	8/08/2013	6:00:00	2060-10-40-03-HTK0308	10299412	Service Haul Truck AD55-DNW ZM 330Hr			0	1IPL	SG
40LH	2/08/2013	6:00:00	2060-10-40-03-HTK0308	10294440	Inspection Mag Plug 1Wk	Y13W31	48/45	3SCH		SG
40LH	28/07/2013	6:00:00	2060-10-40-03-HTK0308	10289295	Inspection Mag Plug 1Wk	Y13W30		0	3SCH	SG
40LH	18/07/2013	6:00:00	2060-10-40-03-HTK0308	10283865	Inspection Mag Plug 1Wk	Y13W29		0	3SCH	SG
40LH	12/07/2013	6:00:00	2060-10-40-03-HTK0308	10275663	Inspection Mag Plug 1Wk	Y13W28		0	3SCH	SG
40LH	5/07/2013	6:00:00	2060-10-40-03-HTK0308	10270709	Inspection Mag Plug 1Wk	Y13W27		0	3SCH	SG
40LH	3/07/2013	6:00:00	2060-10-40-03-HTK0308	20194594	C/O POS 1 TYRE		121/13	1IPL		MI
20EL	2/07/2013	6:00:00	2060-10-40-03-HTK0308	20195893	Change radio & remove proximity		387/6	3SCH		MI
40LH	1/07/2013	6:00:00	2060-10-40-03-HTK0308-DRTR-TRAN	20195464	OPEN UP GEARS		436/05	1IPL		MI
40LH	30/06/2013	6:00:00	2060-10-40-03-HTK0308	10265818	Inspection Mag Plug 1Wk			0	1IPL	SG
40LH	29/06/2013	6:00:00	2060-10-40-03-HTK0308-DRTR-AXA1-TYR2	20194595	C/O POS 2 TYRE		121/13	1IPL		MI
40LH	29/06/2013	6:00:00	2060-10-40-03-HTK0308-DRTR-AXA1-WHR1	20194596	C/O POS 1 RIM			0	1IPL	MI
40LH	29/06/2013	6:00:00	2060-10-40-03-HTK0308-DRTR-AXA1-WHR2	20194597	C/O POS 2 RIM			0	1IPL	MI
40LH	29/06/2013	6:00:00	2060-10-40-03-HTK0308-DRTR-AXA2-TYR3	20194598	C/O POS 3 TYRE		121/13	1IPL		MI
40LH	29/06/2013	6:00:00	2060-10-40-03-HTK0308-DRTR-AXA2-TYR4	20194600	C/O POS 4 TYRE		121/13	1IPL		MI
40LH	29/06/2013	6:00:00	2060-10-40-03-HTK0308-DRTR-AXA2-WHR3	20194599	C/O POS 3 RIM			0	1IPL	MI
40LH	28/06/2013	0:00:00	2060-10-40-03-HTK0308-OPCB	20194132	c/o front window		1404/14	1IPL		MI

40LH	28/06/2013	6:00:00	2060-10-40-03-HTK0308-ALSY	20194020 fit auto greaser system		1610/84	1IPL	MI
40LH	25/06/2013	6:00:00	2060-10-40-03-HTK0308-IMAT-DUBO	20136589 CHANGE OUT TUB	Y13W26	3168/38	3SCH	MN
40LH	24/06/2013	6:00:00	2060-10-40-03-HTK0308-OPCB-ECSY	20094793 Replace Cab Light interior/	DBS S5	140/84	1IPL	MN
40LH	21/06/2013	6:00:00	2060-10-40-03-HTK0308	10261232 Inspection Mag Plug 1Wk	Y13W25	96/9	3SCH	SG
40LH	19/06/2013	6:00:00	2060-10-40-03-HTK0308	10264091 Service Haul Truck AD55-DNW ZM 660Hr			0 1IPL	SG
40LH	14/06/2013	6:00:00	2060-10-40-03-HTK0308	10256550 Inspection Mag Plug 1Wk	Y13W24		0 3SCH	SG
40LH	9/06/2013	6:00:00	2060-10-40-03-HTK0308	10251633 Inspection Mag Plug 1Wk	Y13W23		0 3SCH	SG
40LH	8/06/2013	6:00:00	2060-10-40-03-HTK0308	20183104 c/o p1 tyre		96/9	1IPL	MI
40LH	6/06/2013	6:00:00	2060-10-40-03-HTK0308-DRTR	20183112 retorque all wheels	DBS S1		0 1IPL	MI
40LH	6/06/2013	6:00:00	2060-10-40-03-HTK0308-DRTR-AXA1-TYR2	20183106 c/o p2 tyre		387/6	1IPL	MI
40LH	6/06/2013	6:00:00	2060-10-40-03-HTK0308-DRTR-AXA1-WHR1	20183105 c/o p1 rim assy			0 1IPL	MI
40LH	6/06/2013	6:00:00	2060-10-40-03-HTK0308-DRTR-AXA1-WHR2	20183107 c/o p2 rim			0 1IPL	MI
40LH	6/06/2013	6:00:00	2060-10-40-03-HTK0308-DRTR-AXA2-TYR3	20183108 c/o p3 tyre		96/9	1IPL	MI
40LH	6/06/2013	6:00:00	2060-10-40-03-HTK0308-DRTR-AXA2-TYR4	20183110 c/o p4 tyre		96/9	1IPL	MI
40LH	6/06/2013	6:00:00	2060-10-40-03-HTK0308-DRTR-AXA2-WHR3	20183109 c/o p3 rim assy			0 1IPL	MI
40LH	6/06/2013	6:00:00	2060-10-40-03-HTK0308-DRTR-AXA2-WHR4	20183111 c/o p4 rim assy			0 1IPL	MI
40LH	2/06/2013	6:00:00	2060-10-40-03-HTK0308	10246936 Inspection Mag Plug 1Wk	Y13W22		0 3SCH	SG
Z4RE	31/05/2013	0:00:00	2060-10-40-03-HTK0308	10073509 30000H Rebuild AD55-DNW			0 1IPL	SG
40LH	29/05/2013	6:00:00	2060-10-40-03-HTK0308	10253996 Service Haul Truck AD55-DNW ZM 330Hr			0 1IPL	SG
40LH	26/05/2013	6:00:00	2060-10-40-03-HTK0308	10239826 Inspection Mag Plug 1Wk	Y13W21		0 3SCH	SG
40LH	19/05/2013	6:00:00	2060-10-40-03-HTK0308	10236336 Inspection Mag Plug 1Wk	Y13W20		0 3SCH	SG
40LH	12/05/2013	6:00:00	2060-10-40-03-HTK0308	10235197 Inspection Mag Plug 1Wk	Y13W19	96/9	3SCH	SG
Z4RE	11/05/2013	0:00:00	2060-10-40-03-HTK0308	10183426 30000H PCR AD55-DNW			0 1IPL	SG
40LH	8/05/2013	6:00:00	2060-10-40-03-HTK0308	20053964 repair Leak Between Eng Block & Bell Hou	Y13W17	33761/39	3SCH RS01	MI
40LH	5/05/2013	6:00:00	2060-10-40-03-HTK0308	10232290 Inspection Mag Plug 1Wk	Y13W18		0 3SCH	SG
Z4RE	4/05/2013	6:00:00	2060-10-40-03-HTK0308-ENSY-COSY	10218361 Component Change Engine Thermostat			0 1IPL	SG
40LH	29/04/2013	0:00:00	2060-10-40-03-HTK0308	10218342 Inspection Brake Wear -Measure			0 1IPL	SG
40LH	29/04/2013	6:00:00	2060-10-40-03-HTK0308	10218352 Service Ride Accumulator -Check 1000Hr		193/8	1IPL	SG
40LH	29/04/2013	6:00:00	2060-10-40-03-HTK0308	10218363 Service Haul Truck Performance Test 1000			0 1IPL	SG
40LH	29/04/2013	6:00:00	2060-10-40-03-HTK0308-HYSY	10218350 Service Hydraulic Tuneup 1000Hr			0 1IPL	SG
40LH	28/04/2013	6:00:00	2060-10-40-03-HTK0308	10221258 Inspection Mag Plug 1Wk	Y13W17		0 3SCH	SG
Z4BM-WAA	27/04/2013	6:00:00	2060-10-40-03-HTK0308-IMAT-DUBO	20148810 Tub repairs	Y13W17	2273/79	2RTS	MN
40LH	21/04/2013	6:00:00	2060-10-40-03-HTK0308	10208579 Inspection Mag Plug 1Wk	Y13W16	96/9	3SCH	SG
40LH	13/04/2013	6:00:00	2060-10-40-03-HTK0308	10201966 Inspection Mag Plug 1Wk	Y13W15		0 3SCH	SG
40LH	8/04/2013	6:00:00	2060-10-40-03-HTK0308-FSSY-HOSE	20151845 affr fault			0 1IPL	MI
40LH	7/04/2013	6:00:00	2060-10-40-03-HTK0308-OPCB	20151622 c/o broken mirror		100/78	1IPL	MI
40LH	6/04/2013	6:00:00	2060-10-40-03-HTK0308	10196773 Inspection Mag Plug 1Wk	Y13W14	48/45	3SCH	SG
40LH	2/04/2013	6:00:00	2060-10-40-03-HTK0308	20144461 C/O P1 Tyre	Y13W13	10921/32	3SCH	MI
40LH	1/04/2013	0:00:00	2060-10-40-03-HTK0308-FSSY	10160045 12M Fire Suppression Inspection Mobile	DBSAFF13	330/49	2RTS	SG
40LH	1/04/2013	6:00:00	2060-10-40-03-HTK0308-DRTR-AXA1-WHR1	20148364 Retorque all four wheels	DBS S1	96/9	3SCH	MI
40LH	1/04/2013	6:00:00	2060-10-40-03-HTK0308-FRBO	20148521 rpair mud guard		395/08	1IPL	MI
40LH	31/03/2013	0:00:00	2060-10-40-03-HTK0308-DRTR-AXA1-WHR1	20144463 C/O Rim	Y13W13		0 3SCH	MI
40LH	31/03/2013	0:00:00	2060-10-40-03-HTK0308-DRTR-AXA1-WHR2	20144464 C/O Rim	Y13W13		0 3SCH	MI
40LH	31/03/2013	0:00:00	2060-10-40-03-HTK0308-DRTR-AXA2-WHR3	20144465 C/O Rim	Y13W13		0 3SCH	MI
40LH	31/03/2013	0:00:00	2060-10-40-03-HTK0308-DRTR-AXA2-WHR4	20144466 C/O Rim	Y13W13		0 3SCH	MI
40LH	31/03/2013	0:00:00	2060-10-40-03-HTK0308-FRBO-AESY	20124087 repair hand rail at muffler	Y13W13	193/8	3SCH	MN
40LH	31/03/2013	6:00:00	2060-10-40-03-HTK0308	10194955 Service Haul Truck AD55-DNW ZM 660Hr	Y13W13	3371/26	3SCH	SG
40LH	31/03/2013	6:00:00	2060-10-40-03-HTK0308-DRTR-AXA1-TYR2	20144462 C/O Tyre	Y13W13	10921/32	3SCH	MI
40LH	31/03/2013	6:00:00	2060-10-40-03-HTK0308-DRTR-AXA2-TYR3	20144467 C/O Tyre & repair	DBS S6	11592/32	3SCH	MI
40LH	31/03/2013	6:00:00	2060-10-40-03-HTK0308-DRTR-AXA2-TYR4	20144468 C/O Tyre	Y13W13	10824/42	3SCH	MI
40LH	31/03/2013	6:00:00	2060-10-40-03-HTK0308-ENSY-EXSY	20148316 Exhaust leak at muffler		145/35	3SCH	MI
40LH	30/03/2013	6:00:00	2060-10-40-03-HTK0308	10189809 Inspection Mag Plug 1Wk	Y13W13		0 3SCH	SG
40LH	29/03/2013	6:00:00	2060-10-40-03-HTK0308-FRBO	20147589 Insp/rep bolt missing front bumper	DBS S1		0 1IPL	MN
40LH	24/03/2013	0:00:00	2060-10-40-03-HTK0308-FSSY	10169750 Service Fire Suppression 12M	DBSAFF13		0 1IPL	SG
40LH	24/03/2013	6:00:00	2060-10-40-03-HTK0308	10183170 Inspection Mag Plug 1Wk	Y13W12	48/45	3SCH	SG
Z4BM	23/03/2013	6:00:00	2060-10-40-03-HTK0308-IMAT-DUBO	20123938 Tub repairs/ refer notification	DBS S5		0 3SCH	MN
40LH	22/03/2013	6:00:00	2060-10-40-03-HTK0308-HYSY-HSVV	20143441 repair hydraulic leak		193/8	1IPL	MI
40LH	22/03/2013	6:00:00	2060-10-40-03-HTK0308-HYSY-HSVV	20143505 c/o o-ring brake accumulator valve		145/35	1IPL	MI
40LH	21/03/2013	6:00:00	2060-10-40-03-HTK0308-FRBO	20142957 Repair bent steps on fuel tanks		96/9	3SCH	MN
40LH	16/03/2013	6:00:00	2060-10-40-03-HTK0308	10177008 Inspection Mag Plug 1Wk	Y13W11		0 3SCH	SG
40LH	14/03/2013	6:00:00	2060-10-40-03-HTK0308-ENSY-FUSY	20138836 Insp/rep/ fuel leak @ filter under cab	DBS S1		0 1IPL	MN
40LH	11/03/2013	0:00:00	2060-10-40-03-HTK0308-DRTR-AXA2-FID4	20136811 Inspect/repair pos 4 dou cone leak	DBS S1		0 1IPL	MN
40LH	11/03/2013	6:00:00	2060-10-40-03-HTK0308-OPCB-ECSY	20136623 c/o dimmer switch		132/4	1IPL	MI
40LH	9/03/2013	6:00:00	2060-10-40-03-HTK0308	10171432 Inspection Mag Plug 1Wk	Y13W10		0 3SCH	SG
40LH	9/03/2013	6:00:00	2060-10-40-03-HTK0308	10173591 Service Haul Truck AD55-DNW ZM 330Hr	Y13W10	2067/29	3SCH	SG
40LH	7/03/2013	6:00:00	2060-10-40-03-HTK0308-FSSY-HOSE	20135325 affr guages u/s		321/81	1IPL	MI
40LH	3/03/2013	6:00:00	2060-10-40-03-HTK0308	10165816 Inspection Mag Plug 1Wk	Y13W09		0 3SCH	SG
40LH	2/03/2013	6:00:00	2060-10-40-03-HTK0308-ENSY-COSY	20132345 C/O BROKEN FAN		4264/91	1IPL	MI
40LH	26/02/2013	6:00:00	2060-10-40-03-HTK0308	20129993 c/o blown p2 tyre		1647/3	1IPL	MI
40LH	26/02/2013	6:00:00	2060-10-40-03-HTK0308-DRTR-AXA1-WHR2	20129996 c/o rim due to falt tyre		484/5	1IPL	MI
40LH	26/02/2013	6:00:00	2060-10-40-03-HTK0308-DRTR-AXA1-WHR2	20129997 retorque p2 wheel bolts	DBS S1		0 1IPL	MI
40LH	24/02/2013	6:00:00	2060-10-40-03-HTK0308-OPCB-ECSY	20129142 repair park brake knob			0 1IPL	MI
40LH	23/02/2013	6:00:00	2060-10-40-03-HTK0308	10160364 Inspection Mag Plug 1Wk	Y13W08		0 3SCH	SG
40LH	23/02/2013	6:00:00	2060-10-40-03-HTK0308-OPCB	20128917 Repair wiper washer	DBS S5	223/66	1IPL	MI
Z4RE	17/02/2013	6:00:00	2060-10-40-03-HTK0308-DRTR-TORQ	40001670 Component Change Torque Converter			0 1IPL	SG
40LH	17/02/2013	6:00:00	2060-10-40-03-HTK0308-OPCB-ECSY	20125555 park brake wont release	DBS S5	482/17	1IPL	MI
40LH	15/02/2013	6:00:00	2060-10-40-03-HTK0308	10153296 Inspection Mag Plug 1Wk	Y13W07		0 3SCH	SG
40LH	15/02/2013	6:00:00	2060-10-40-03-HTK0308-ENSY-LUSY	20117735 c/o engine breather	DBS S5	35/6	1IPL	MI
40LH	15/02/2013	6:00:00	2060-10-40-03-HTK0308-HYSY	20124638 HYD OIL LEAK	DBS S5	149/69	1IPL	MI
40LH	14/02/2013	6:00:00	2060-10-40-03-HTK0308-DRTR-DRLN	20124088 replace broken grease nipple rear uni	DBS S5		0 1IPL	MN



40LH	14/02/2013	6:00:00	2060-10-40-03-HTK0308-FRBO-AESY	20124086	replace grip tape fuel tank P2	DBS S5		0	1IPL	MN
40LH	14/02/2013	6:00:00	2060-10-40-03-HTK0308-HYSY-ECSY	20124085	emerg brake pump inop	DBS S5		0	1IPL	MN
40LH	13/02/2013	6:00:00	2060-10-40-03-HTK0308	10153183	Service Haul Truck AD55-DNW ZM 990Hr	Y13W07	2701/49	3SCH		SG
40LH	13/02/2013	6:00:00	2060-10-40-03-HTK0308-ENSY	10149822	Service Injector & Valve Set 2000Hr		387/6	3SCH		SG
40LH	10/02/2013	0:00:00	2060-10-40-03-HTK0308-ENSY-ECSY	20121995	BATTERY CHARGE FAULT	DBS S5	107/23	3SCH		MI
20EL	10/02/2013	6:00:00	2060-10-40-03-HTK0308	10161114	Relocate Aerial near cab fan pressurizer	Y13W07		0	3SCH	SG
40LH	8/02/2013	0:00:00	2060-10-40-03-HTK0308	10062054	6M Inspection Fire System Catad55Dnw	DBSAFF12		365	3SCH	SG
40LH	8/02/2013	6:00:00	2060-10-40-03-HTK0308	10147266	Inspection Mag Plug 1Wk	Y13W06	48/45	3SCH		SG
40LH	2/02/2013	6:00:00	2060-10-40-03-HTK0308-OPCB	20118641	repair door latch	DBS S5	448/18	1IPL		MI
40LH	1/02/2013	6:00:00	2060-10-40-03-HTK0308	10142302	Inspection Mag Plug 1Wk	Y13W05		0	3SCH	SG
40LH	1/02/2013	6:00:00	2060-10-40-03-HTK0308-FRBO-CYSU	20118261	reset front suspension	DBS S5	1259/7	1IPL		MI
40LH	1/02/2013	6:00:00	2060-10-40-03-HTK0308-FRBO-ECSY	20117739	head light not working	DBS S5	48/45	1IPL		MI
40LH	31/01/2013	0:00:00	2060-10-40-03-HTK0308-ENSY-ECSY	20111866	COMPONENT CHANGE ALTERNATOR	DBS S5	1448/71	3SCH	WREQ	MI
40LH	31/01/2013	0:00:00	2060-10-40-03-HTK0308-ENSY-ETBE	20117704	rocker cover leak	DBS S5		0	1IPL	MI
40LH	30/01/2013	6:00:00	2060-10-40-03-HTK0308-OPCB	20113680	c/o broken mirror	DBS S5	149/24	1IPL		MI
40LH	30/01/2013	6:00:00	2060-10-40-03-HTK0308-OPCB-ACSY	20113301	a/c blowing hot air	DBS S5	48/45	1IPL		MI
40LH	29/01/2013	6:00:00	2060-10-40-03-HTK0308-DRTR-HSVV	20113081	C/out brake cooling hose in arch	DBS S5	486/34	1IPL		MI
40LH	28/01/2013	6:00:00	2060-10-40-03-HTK0308-OPCB-ECSY	20112578	repair electrical fault	DBS S5	96/9	1IPL		MI
40LH	26/01/2013	6:00:00	2060-10-40-03-HTK0308	10137902	Inspection Mag Plug 1Wk	Y13W04	96/9	3SCH		SG
40LH	24/01/2013	6:00:00	2060-10-40-03-HTK0308-IMAT-DUBO	20108906	C/O Tub (DT326's Original Tub)	Y13W04	1744/2	3SCH		MN
40LH	19/01/2013	6:00:00	2060-10-40-03-HTK0308-OPCB	20108547	c/o broken mirror	DBS S5		0	1IPL	MI
40LH	18/01/2013	6:00:00	2060-10-40-03-HTK0308	10133229	Inspection Mag Plug 1Wk	Y13W03		0	3SCH	SG
40LH	16/01/2013	6:00:00	2060-10-40-03-HTK0308-ENSY	20106832	Engine misfiring	DBS S5	290/7	3SCH		MI
40LH	16/01/2013	6:00:00	2060-10-40-03-HTK0308-ENSY-FUSY	20106961	C/O Pos 5 injector	DBS S5	1546/41	3SCH		MI
40LH	13/01/2013	0:00:00	2060-10-40-03-HTK0308-IMAT-DUBO	20085572	Tub Repairs	Y13W02	1405/05	3SCH		MN
40LH	13/01/2013	6:00:00	2060-10-40-03-HTK0308	10133010	Service Haul Truck AD55-DNW ZM 660Hr	Y13W02	2733/92	3SCH		SG
40LH	12/01/2013	6:00:00	2060-10-40-03-HTK0308	10128262	Inspection Mag Plug 1Wk	Y13W02		0	3SCH	SG
Z4RE	12/01/2013	6:00:00	2060-10-40-03-HTK0308-OPCB-ACSY	10070429	Component Change Blower Fan Motor	DBS S1	20/53	1IPL		SG
40LH	8/01/2013	6:00:00	2060-10-40-03-HTK0308-OPCB	20103734	c/o broken mirror	DBS S5		0	1IPL	MI
40LH	4/01/2013	6:00:00	2060-10-40-03-HTK0308-FRBO-AESY	20102203	REPAIR BROKEN FRONT HANDRAIL	DBS S5		0	1IPL	MI
40LH	3/01/2013	6:00:00	2060-10-40-03-HTK0308	10123839	Inspection Mag Plug 1Wk	Y13W01		0	3SCH	SG
40LH	31/12/2012	6:00:00	2060-10-40-03-HTK0308-OPCB-ACSY	20098174	REPAIR A/C COMPRESSOR MOUNT BRACKET	DBS S5	1141/85	1IPL		MI
40LH	29/12/2012	6:00:00	2060-10-40-03-HTK0308	10119447	Inspection Mag Plug 1Wk	Y12W52		0	3SCH	SG
40LH-TAI	23/12/2012	6:00:00	2060-10-40-03-HTK0308-ENSY-FUSY-TVRE	20073877	Investigate Fuel Tank Breather Fault/ Th	DBS S5	15483/9	3SCH		MI
40LH	22/12/2012	6:00:00	2060-10-40-03-HTK0308-FSSY-HOSE	20097805	AFF WENT OFF	DBS S5	145/35	1IPL		MI
40LH	21/12/2012	6:00:00	2060-10-40-03-HTK0308	10115432	Inspection Mag Plug 1Wk	Y12W51		0	3SCH	SG
40LH	19/12/2012	6:00:00	2060-10-40-03-HTK0308	10116714	Service Haul Truck AD55-DNW ZM 330Hr	Y12W51	1353/1	3SCH		SG
20EL	19/12/2012	6:00:00	2060-10-40-03-HTK0308	20096398	Repair Proximity Fault			0	1IPL	MI
40LH	19/12/2012	6:00:00	2060-10-40-03-HTK0308-HYSY-HSVV	20096428	INSPECT OIL LEAK AT BRAKE COOLER HOSE	DBS S5		0	1IPL	MI
40LH	18/12/2012	6:00:00	2060-10-40-03-HTK0308-FRBO-CYSU	20095940	Inspect/Repair Bouncy Suspension	DBS S1	96/9	1IPL		MN
40LH	14/12/2012	6:00:00	2060-10-40-03-HTK0308	10111192	Inspection Mag Plug 1Wk	Y12W50		0	1IPL	SG
40LH	12/12/2012	6:00:00	2060-10-40-03-HTK0308-HYSY-HSVV	20093189	Inspect/Repair Brake Cooling Arch Hose	DBS S1	558/8	1IPL		MN
40LH	9/12/2012	6:00:00	2060-10-40-03-HTK0308-DRTR-TRAN	20091707	check for over speed fault	DBS S5	426/92	1IPL		MI
40LH	8/12/2012	6:00:00	2060-10-40-03-HTK0308	10106891	Inspection Mag Plug 1Wk			0	1IPL	SG
40LH	6/12/2012	6:00:00	2060-10-40-03-HTK0308-DRTR-ECSY	20090505	over speed fault	DBS S5	145/35	1IPL		MI
40LH	3/12/2012	6:00:00	2060-10-40-03-HTK0308	20089006	remove stuck truck against wall in level	DBS S5		0	1IPL	MI
40LH	2/12/2012	6:00:00	2060-10-40-03-HTK0308	10102393	Inspection Mag Plug 1Wk	Y12W48		0	3SCH	SG
40LH	1/12/2012	6:00:00	2060-10-40-03-HTK0308-ENSY-FUSY-TVRE	20088160	rectify fuel tank breather fault/ This j	DBS S5	1744/2	2RTS		MI
40LH	30/11/2012	0:00:00	2060-10-40-03-HTK0308	10106801	Inspection Brake Wear -Measure			0	1IPL	SG
40LH	30/11/2012	6:00:00	2060-10-40-03-HTK0308	10106810	Service Ride Accumulator -Check 1000Hr			0	1IPL	SG
40LH	30/11/2012	6:00:00	2060-10-40-03-HTK0308	10106820	Service Haul Truck Performance Test 1000			0	1IPL	SG
40LH	30/11/2012	6:00:00	2060-10-40-03-HTK0308-HYSY	10106808	Service Hydraulic Tuneup 1000Hr			0	1IPL	SG
40LH	30/11/2012	6:00:00	2060-10-40-03-HTK0308-HYSY	20087293	check for brake fault	DBS S5	844/87	1IPL		MI
40LH	27/11/2012	6:00:00	2060-10-40-03-HTK0308	10103162	Service Haul Truck AD55-DNW ZM 1980Hr			0	1IPL	SG
40LH	26/11/2012	6:00:00	2060-10-40-03-HTK0308-ENSY	20078055	Inspect/Repair Oil Leak Rear of Engine	Y12W47	96/9	3SCH		MN
40LH	25/11/2012	6:00:00	2060-10-40-03-HTK0308	20085083	330hr service	DBS S5	1204/97	2RTS		MI
40LH	25/11/2012	6:00:00	2060-10-40-03-HTK0308-OPCB-ECSY	20065349	repair front washers not working	Y12W47	121/33	3SCH		MI
40LH	24/11/2012	6:00:00	2060-10-40-03-HTK0308	10097712	Inspection Mag Plug 1Wk			0	1IPL	SG
40LH	22/11/2012	6:00:00	2060-10-40-03-HTK0308-OPCB-ECSY	20084056	c/o block light switch	DBS S5	198/05	1IPL		MI
40LH	18/11/2012	6:00:00	2060-10-40-03-HTK0308-DRTR-AXA1-FID2	20081733	C/O P2 DUO CONE SEAL	DBS S2	96/9	1IPL		MN
40LH	16/11/2012	6:00:00	2060-10-40-03-HTK0308	10093127	Inspection Mag Plug 1Wk	Y12W46		0	3SCH	SG
40LH	13/11/2012	6:00:00	2060-10-40-03-HTK0308	20079414	Fit Banlaw Trial Fuel Breathers	DBS S5	977/01	1IPL	RS02	MN
40LH	12/11/2012	0:00:00	2060-10-40-03-HTK0308-OPCB-ACSY	20078803	REPAIR A/C BLOWING HOT AIR		391/95	1IPL		MI
40LH	9/11/2012	6:00:00	2060-10-40-03-HTK0308	10083632	Inspection Mag Plug 1Wk	Y12W44		0	3SCH	SG
40LH	9/11/2012	6:00:00	2060-10-40-03-HTK0308	10088752	Inspection Mag Plug 1Wk	Y12W45	96/9	3SCH		SG
40LH	5/11/2012	0:00:00	2060-10-40-03-HTK0308-FRBO-CYSU	20075436	bouncy ride operator complaint	DBS S5		0	1IPL	MI
40LH	5/11/2012	6:00:00	2060-10-40-03-HTK0308-FRBO-CYSU	20075543	C/O SUSPENSION ACCUM	DBS S5	935/23	1IPL		MI
40LH	31/10/2012	6:00:00	2060-10-40-03-HTK0308	10079628	Service Haul Truck AD55-DNW ZM 660Hr	Y12W43	3552/41	3SCH		SG
40LH-TAD	30/10/2012	6:00:00	2060-10-40-03-HTK0308-OPCB-ACSY	20072437	C/O Aircon Arc Suppressor	DBS S5	219/12	3SCH		MI
40LH	27/10/2012	6:00:00	2060-10-40-03-HTK0308	10078843	Inspection Mag Plug 1Wk	Y12W43		0	3SCH	SG
40LH-TAI	27/10/2012	6:00:00	2060-10-40-03-HTK0308-OPCB-ACSY	20071465	Repair Aircon Fault	DBS S5	96/9	3SCH		MI
40LH	23/10/2012	0:00:00	2060-10-40-03-HTK0308-FRBO-ECSY	20069623	repair blown headlight	DBS S5		0	1IPL	MI
40LH	21/10/2012	6:00:00	2060-10-40-03-HTK0308	10075471	Inspection Mag Plug 1Wk	Y12W42		0	3SCH	SG
40LH	18/10/2012	6:00:00	2060-10-40-03-HTK0308-DRTR-HSVV	20066912	Repair Leak Trans Filter Hose		532/95	1IPL		MN
40LH	16/10/2012	0:00:00	2060-10-40-03-HTK0308-DRTR-AXA2	20065889	inspect duo cone leak pos 2			0	1IPL	MI
40LH	15/10/2012	6:00:00	2060-10-40-03-HTK0308-DRTR-AXA1-BRA1	20065473	park brake coming on		1212/97	1IPL		MI
40LH	13/10/2012	6:00:00	2060-10-40-03-HTK0308	10071691	Inspection Mag Plug 1Wk			0	1IPL	SG
40LH	13/10/2012	6:00:00	2060-10-40-03-HTK0308-OPCB	20065100	Repair windscreen wipers			0	1IPL	MI
40LH	12/10/2012	6:00:00	2060-10-40-03-HTK0308	10060946	1W Inspect Mag Plug	Y12W41	48/45	3SCH		SG
40LH	9/10/2012	6:00:00	2060-10-40-03-HTK0308-HYSY-ECSY	20063062	park brake wont release/		3018/02	3SCH		MI





# AD55B

Underground  
Articulated Truck



---

## Engine

Engine Model	Cat® C27 ACERT™	
Gross Power – SAE J1995	579/600 kW	776/805 hp

---

## Operating Specifications

Nominal Payload Capacity	55 000 kg	121,254 lb
Gross Machine Operating Weight	105 000 kg	231,485 lb

---

## Body Capacities

Dump Body – Standard	26.9 m <sup>3</sup>	35.2 yd <sup>3</sup>
----------------------	---------------------	----------------------

- Heaped SAE 2:1

## Engine

Engine Model	Cat C27 ACERT™	
Rated Power	2000 RPM	
Gross Power – SAE J1995	579/600 kW	776/805 hp
Net Power – SAE J1349	540/560 kW	725/751 hp
Net Power – ISO 9249	540/560 kW	725/751 hp
Net Power – 80/1269/EEC	540/560 kW	725/751 hp
Bore	137.2 mm	5.4 in
Stroke	152.4 mm	6 in
Displacement	27 L	1,648 in <sup>3</sup>

- Power ratings apply at a rated speed of 2000 rpm when tested under the reference conditions for the specified standard.
- Ratings based on SAE J1995 standard air conditions of 25° C (77° F) and 100 kPa (29.61 Hg) barometer. Power based on fuel having API gravity of 35 at 16° C (60° F) and an LHV of 42,780 kJ/kg (18,390 BTU/lb) when engine used at 30° C (86° F).
- Engine derate will commence at an altitude of 557 m (1,827 ft).
- Complaint with U.S. Environmental Protection Agency Tier 2 emissions standards.

## Operating Specifications

Nominal Payload Capacity	55 000 kg	121,254 lb
Gross Machine Operating Weight	105 000 kg	231,485 lb

## Weights

Empty	50 000 kg	110,231 lb
Front Axle	34 200 kg	75,398 lb
Rear Axle	15 800 kg	34,833 lb
Loaded	105 000 kg	231,485 lb
Front Axle	52 920 kg	116,668 lb
Rear Axle	52 080 kg	114,817 lb

## Weight Distribution

Empty		
Front Axle	68.4%	
Rear Axle	31.6%	
Loaded		
Front Axle	50.4%	
Rear Axle	49.6%	

## Transmission

Forward 1	6.6 km/h	4.1 mph
Forward 2	9.3 km/h	5.8 mph
Forward 3	12.5 km/h	7.5 mph
Forward 4	16.8 km/h	10.4 mph
Forward 5	22.7 km/h	14.1 mph
Forward 6	30.7 km/h	19.1 mph
Forward 7	41.5 km/h	25.8 mph
Reverse 1	8.7 km/h	5.4 mph

- Maximum travel speeds with standard 35 × 65 R33 tires.

## Final Drives

Differential Ratio	3.46:1
Final Drive Ratio	5.5:1
Total Reduction Ratio	19.04:1

## Body Hoist

Raise	12 Seconds
Lower	24 Seconds
Total Cycle Time	36 Seconds

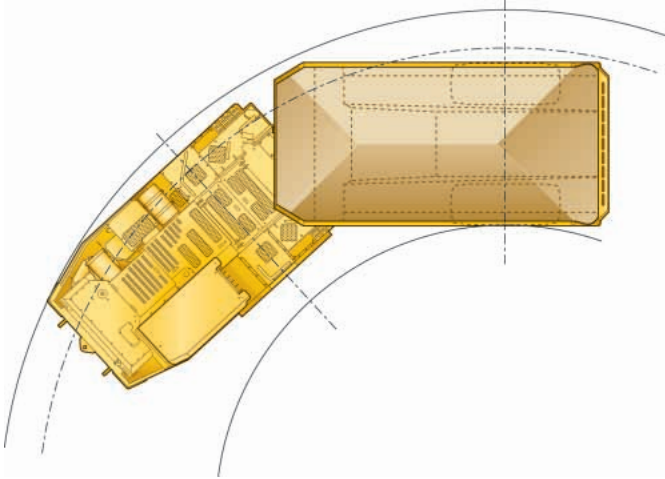
## Body Capacities

Dump Body – Standard	26.9 m <sup>3</sup>	35.2 yd <sup>3</sup>
Dump Body – Optional	32.6 m <sup>3</sup>	42.6 yd <sup>3</sup>
Dump Body – Optional	33.8 m <sup>3</sup>	44.2 yd <sup>3</sup>
Dump Body – Optional	36.6 m <sup>3</sup>	47.9 yd <sup>3</sup>

- Heaped SAE 2:1

## Turning Dimensions

Outside Clearance Radius	10 005 mm	393.9 in
Inside Turning Radius	5540 mm	218.1 in
Frame Oscillation	10°	
Articulation Angle	42.5°	



## Service Refill Capacities

Engine Crankcase with Filter	99 L	26.2 gal
Transmission	53 L	14 gal
Hydraulic Tank	258 L	68.2 gal
Cooling System	138 L	36.5 gal
Front Differentials and Final Drives	138 L	36.5 gal
Rear Differentials and Final Drives	138 L	36.5 gal
Fuel Tank	960 L	253.6 gal

## Tires

Tire Size	35 × 65 R33
-----------	-------------

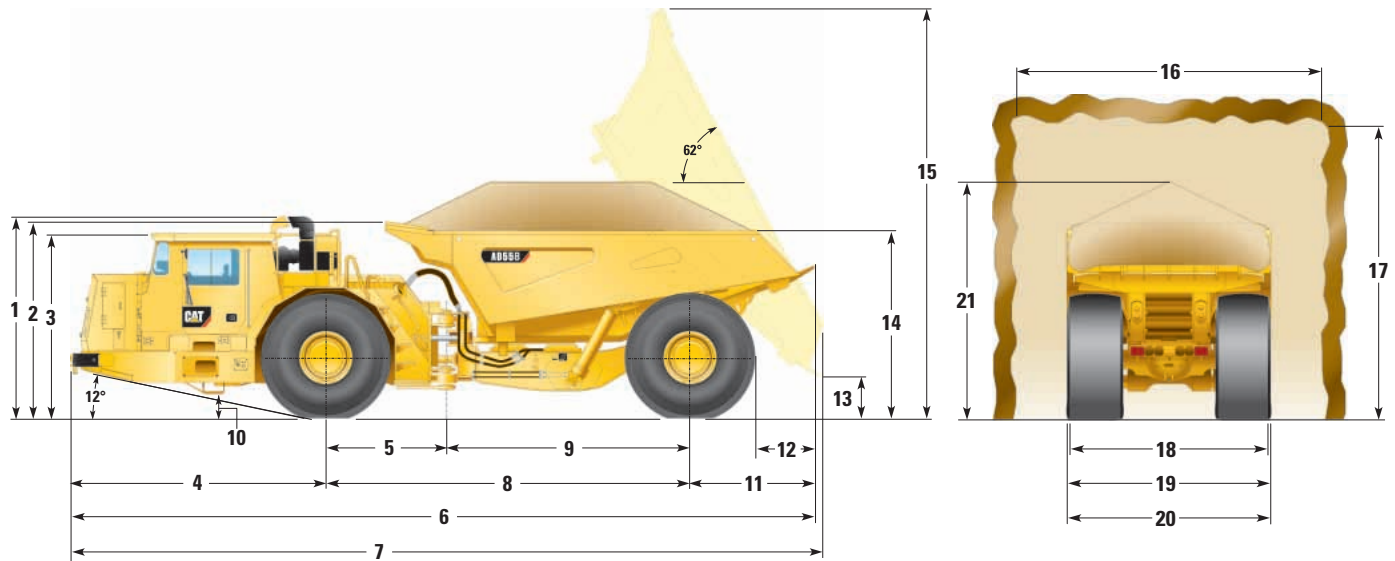
## Standards

Brakes	ISO3450, AS2958.1, CAN-CSA424.30-M90
Cab/FOPS	ISO3449, SAEJ231, AS2294.3, EN13627
Cab/ROPS	ISO3471, SAEJ1040, AS2294.2, EN13510



## Dimensions

All dimensions are approximate.



	<b>313-4730 (Standard Body)</b>	<b>312-1395</b>	<b>307-6655</b>	<b>311-4721</b>
Dump Body	26.9 m <sup>3</sup> (35.2 yd <sup>3</sup> )	32.6 m <sup>3</sup> (42.6 yd <sup>3</sup> )	33.8 m <sup>3</sup> (44.2 yd <sup>3</sup> )	36.6 m <sup>3</sup> (47.9 yd <sup>3</sup> )
<b>1</b> Overall Height – Body Empty	3278 mm (10'9")	3418 mm (11'3")	3557 mm (11'8")	3560 mm (11'8")
<b>2</b> Height to Top of Body	3202 mm (10'6")	3418 mm (11'3")	3556 mm (11'8")	3560 mm (11'8")
<b>3</b> Height to Top of ROPS	3000 mm (9'10")	3000 mm (9'10")	3000 mm (9'10")	3000 mm (9'10")
<b>4</b> Front Bumper to Centerline of Front Axle	4164 mm (13'8")	4164 mm (13'8")	4164 mm (13'8")	4164 mm (13'8")
<b>5</b> Centerline of Front Axle to Centerline of Hitch	1920 mm (6'4")	1920 mm (6'4")	1920 mm (6'4")	1920 mm (6'4")
<b>6</b> Overall Length	12 040 mm (39'6")	12 040 mm (39'6")	12 040 mm (39'6")	12 040 mm (39'6")
<b>7</b> Max Overall Length	12 064 mm (39'7")	12 180 mm (39'11")	12 222 mm (40'1")	12 241 mm (40'2")
<b>8</b> Wheelbase	5900 mm (19'4")	5900 mm (19'4")	5900 mm (19'4")	5900 mm (19'4")
<b>9</b> Centerline of Hitch to Centerline of Rear Axle	3980 mm (13'1")	3980 mm (13'1")	3980 mm (13'1")	3980 mm (13'1")
<b>10</b> Ground Clearance	393 mm (1'3")	393 mm (1'3")	393 mm (1'3")	393 mm (1'3")
<b>11</b> Centerline of Rear Axle to Tail	1976 mm (6'6")	1976 mm (6'6")	1976 mm (6'6")	1976 mm (6'6")
<b>12</b> Rear Wheel to Body Raised	857 mm (2'10")	857 mm (2'10")	857 mm (2'10")	857 mm (2'10")
<b>13</b> Dump Clearance	514 mm (1'8")	514 mm (1'8")	514 mm (1'8")	514 mm (1'8")
<b>14</b> Loading Height	3045 mm (10'0")	3326 mm (10'11")	3426 mm (11'3")	3473 mm (11'5")
<b>15</b> Overall Height – Body Raised	6969 mm (22'10")	7202 mm (23'8")	7322 mm (24'0")	7334 mm (24'1")
<b>16</b> Tunnel Clearance Width*	5000 mm (16'4")	5000 mm (16'4")	5000 mm (16'4")	5000 mm (16'4")
<b>17</b> Tunnel Clearance Height*	5000 mm (16'4")	5000 mm (16'4")	5000 mm (16'4")	5000 mm (16'4")
<b>18</b> Overall Tire Width	3250 mm (10'8")	3250 mm (10'8")	3250 mm (10'8")	3250 mm (10'8")
<b>19</b> Overall Width (Including Body)	3346 mm (11'0")	3480 mm (11'5")	3480 mm (11'5")	3480 mm (11'5")
<b>20</b> Overall Width (Excluding Body)	3346 mm (11'0")	3346 mm (11'0")	3346 mm (11'0")	3346 mm (11'0")
<b>21</b> Height to Top of Load (SAE 2:1)	3848 mm (12'7")	4178 mm (13'8")	4183 mm (13'9")	4333 mm (14'3")

\* Clearance Dimensions are for Reference Only.