

**2011 Atlas Copco MT6020 Underground Truck UT014**



<b>Make</b>	Atlas Copco		<b>Model</b>	MT6020		
<b>Year</b>	2011	<b>Hours</b>	33626		As at	01/12/2019
<b>Mileage</b>				km	As at	
<b>Serial/VIN</b>	AVO11X173			<b>Engine Serial</b>		
<b>Details</b>	2011 Atlas Copco MT6020 Truck Asset no UT014. Offered for sale via online auction ex Site Nifty Copper Mine via Telfer Western Australia, running to drive on to buyers transport. See Google Maps link: <a href="https://goo.gl/maps/Xvaa3uBAFso9MP7A8">https://goo.gl/maps/Xvaa3uBAFso9MP7A8</a>					
<b>Asking price</b>	AUD	Under review - call for pricing				
<b>Ex site</b>	Australia, Western Australia, Telfer					

<b>Service history</b>	
------------------------	--

**For further details, to make an offer or book an inspection, contact  
Global Equipment Solutions on Office: 08 9201 1142**











### 2.1.23 UT014 UG HAUL ATLAS MT6020

- Engine replaced 33626 hours – dusted.
- 0 hour rebuild 29042 hours
- Table 1 includes all-time SMU and outstanding work orders
- Table 2 includes current component life.

Table 1. All-time SMU and outstanding work orders

<b>Asset Number</b>	<b>Model</b>	<b>Serial Number</b>	<b>Current SMU reading (hrs)</b>	<b>All-time SMU</b>
UT014	MT6020	AVO-11X173	33626	33626
<b>Work Order</b>	<b>Description</b>	<b>Start Date</b>	<b>Status</b>	<b>Key/Section</b>
4174204	CHANGE OUT FULL SET OF TYRES	25/11/2019	I	TYRE

Table 2. Current Component life

<b>COMPONENT</b>	<b>Frequency</b>	<b>LAST CHANGE</b>	<b>HOURS TO GO</b>
ENGINE	12000	33626	12000
ENGINE MIDLIFE	6000	33626	1200
UPBOX	8000	27975	2349
TRANSMISSION	8000	29059	3433
TRANSMISSION COOLER	6000	27975	349
DROPBOX	8000	27975	2349
R/H SUSPENSION CYL	6000	27975	349
L/H SUSPENSION CYL	6000	27975	349
RADIATOR CORE	16000	27975	10349
HYDRAULIC COOLER	6000	27975	349
FRONT DIFF	16000	27975	10349
FINAL DRIVE FRONT R/H	16000	27975	10349
FINAL DRIVE FRONT L/H	16000	27975	10349
REAR DIFF	16000	27975	10349
FINAL DRIVE REAR R/H	16000	27975	10349
FINAL DRIVE REAR L/H	16000	27975	10349
A-FRAME	6000	28849	1223

### 2.1.24 UT014 SUMMARY

Run to end of life, maintain PCR frequency. VMS fitted. Review PM Schedule

# Specifications

Capacities		Motion times	
SAE regulations		Dump box	
Tramming capacity	60 000 kg	Dumping	15 seconds

## Engine

- Cummins.....QSK19-C760, Tier 1/Stage I A
- Power Rating at 2100 rpm..... 567 kW/760 hp
- Maximum torque at 1300 rpm.....3 084 Nm
- MSHA Part 7 ventilation rate ..... TBA
- Ventilation particulate index ..... TBA
- Rock Tough purifier and silencer.
- Dry type air cleaner.
- Exhaust heat protection.
- Remote engine oil drain.
- Cooling package with flat, round, mechanical radiator.

## Transmission and converter

- Planetary, automatic 6 speeds forward/2 speeds reverse with integral single stage converter with automatic lock up.
- Allison.....M6610AR
- Up box: Power transmitted through a 1:1 gear ratio box.
- Drop box: Power transmitted through a 1:1 gear ratio box.

## Axles

- Kessler ..... 111
- Conventional front and rear differential.
- Front-axle oscillating suspension "A" frame with hydraulic suspension cylinders and accumulator cushioning.
- All wheel drive.

## Brakes

- Fully enclosed, force cooled, multiple wet discs at each wheel end.
- Service/parking/emergency brakes..... SAHR
  - Hydraulic retarder.



The MT6020 is standard equipped with a rear vision camera. A small detail, but definitely worth viewing - is the standard equipped camera for improved operator's visibility.

## Tyres

Tubeless, steel radial, lug tread design for underground mine service.

- Dimensions ..... 35/65, R33\*

\* As applications and conditions vary, Atlas Copco recommends that the user consults with tyre suppliers to obtain the optimum tyre selection.

## Suspension

The suspension is a gas-hydraulic system for improved operator comfort and vehicle handling while minimizing frame stress.

- Suspension, max: .....105 mm
- Individual self leveling suspension.

## Operator's compartment

- Forward facing seat.
- Cabin; MSHA-ISO ROPS/FOPS approved.
- Grammer seat with retractable seat belts.
- Airconditioner.
- Trainer seat.
- Back up video monitor.

## Hydraulic system

- System pressure ..... 20.7 MPa
- Hydraulic tank capacity ..... 238 litres
- Filtration, return line ..... 4.0 µm
- Heavy duty gear type pumps.
- Cylinders diameter:
  - Steer cylinders (2) ..... 160 mm
  - Dump cylinders (2) ..... 177.8 mm
  - Suspension cylinders (2) ..... 125 mm

## Electrical system

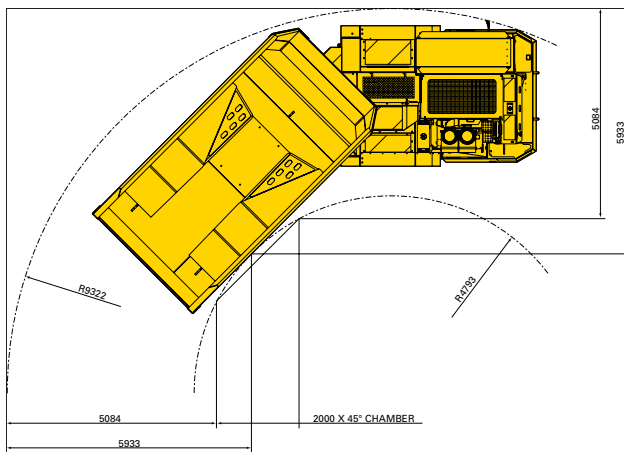
- Voltage, system start & accessories ..... 24 V
- Alternator, high output ..... 100 A
- Hydraulic warning system; temperature, hyd. oil level.
- Rock Tough projection lights.
- Isolation switch lockout.

## Fuel

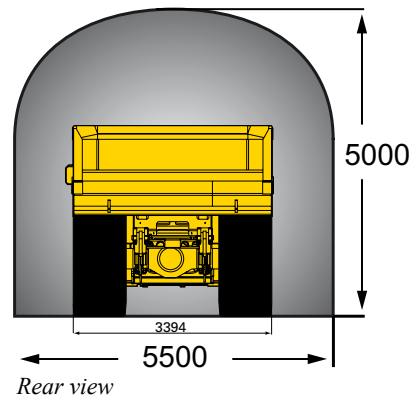
- Fuel tank capacity ..... 644 litres
- Fuel consumption, full load ..... 67 litres/hour
- Fuel filtration ..... 10 µm
- Anti-siphon fuel supply.



## Turning radius



## Recommended drift size



- Turning angle +/-42.5°.
- Dimensions shown are based on standard vehicle configuration with 27 mm tyre deflection.
- All dimensions are shown in millimetres.

## Grade performance

NB. 3% rolling resistance assumed. Actual performance may vary depending on the application.

### Standard configuration, box empty

Percent grade	0.0	2.0	4.0	6.0	8.0	10.0	12.0	14.0	16.0	18.0	20.0
Ratio					1:12	1:10	1:8	1:7			1:5
1st gear (km/h)	6.4	6.4	6.3	6.3	6.3	6.3	6.3	6.3	6.3	6.3	6.3
2nd gear (km/h)	9.5	9.5	9.4	9.4	9.4	9.4	9.3	9.3	9.3	9.3	9.2
3rd gear (km/h)	12.6	12.6	12.5	12.5	12.4	12.4	12.4	12.3	12.3	12.2	12.2
4th gear (km/h)	18.3	18.2	18.2	18.1	18.0	17.9	17.8	17.7	17.6	17.5	17.1
5th gear (km/h)	25.2	25.1	24.9	24.7	24.5	24.3	24.2	23.2	21.2		
6th gear (km/h)	37.5	37.1	36.7	36.3	35.6	30.9					

### Standard configuration, box loaded

Percent grade	0.0	2.0	4.0	6.0	8.0	10.0	12.0	14.0	16.0	18.0	20.0
Ratio					1:12	1:10	1:8	1:7			1:5
1st gear (km/h)	6.3	6.3	6.3	6.2	6.2	6.2	6.2	6.1	6.1	6.1	6.0
2nd gear (km/h)	9.4	9.3	9.3	9.2	9.2	9.1	9.0	9.0	8.3	7.3	
3rd gear (km/h)	12.5	12.4	12.3	12.2	12.1	11.9	10.6				
4th gear (km/h)	18.1	17.9	17.6	17.2	13.5						
5th gear (km/h)	24.8	24.3	22.5								
6th gear (km/h)	36.5	31.7									

## Optional equipment

### Main frame

- Wheel chocks and chock brackets.
- Tele dump

### Ergonomic

- KAB 555 seat W/retractable seatbelts.
- Heater

### System

- Ansul dual bottle fire suppression with Engine kill.
- Electric hydraulic tank fill pump.
- Dual fuel filter.

- Lincoln auto lube with timer.
- Wiggins fast fuel-, transmission-, hydraulic- oil fill.

### Electrical system

- Amber strobe light - power on.
- Load lights.
- Side light opposite operator.
- Tail and brake lights.
- Turn signals, front and rear.
- 24/12 V power converter.
- Loading camera.
- Battery heater, 120 V.
- Block heater, 120 V.
- Hydraulic oil heater, 120 V.

- Engine oil heater, 120 V.

- Diesel Filter with heater and water separation (7 micron).
- Fire extinguisher (20 LB)

### Drive train

- Neutral brake apply.

### Controls and instruments

- Blockout 5th and/or 6th gears.
- Emergency steering- accumulator type.
- Extended data gauge package.

### Power unit

- Epoxy coated radiator.

### Documentation

- LinkOne parts catalogue, CD.
- Parts and service manual - plasticised.

### Parts kit

- 1 000 hour consumables.

### Other

- Tool box.

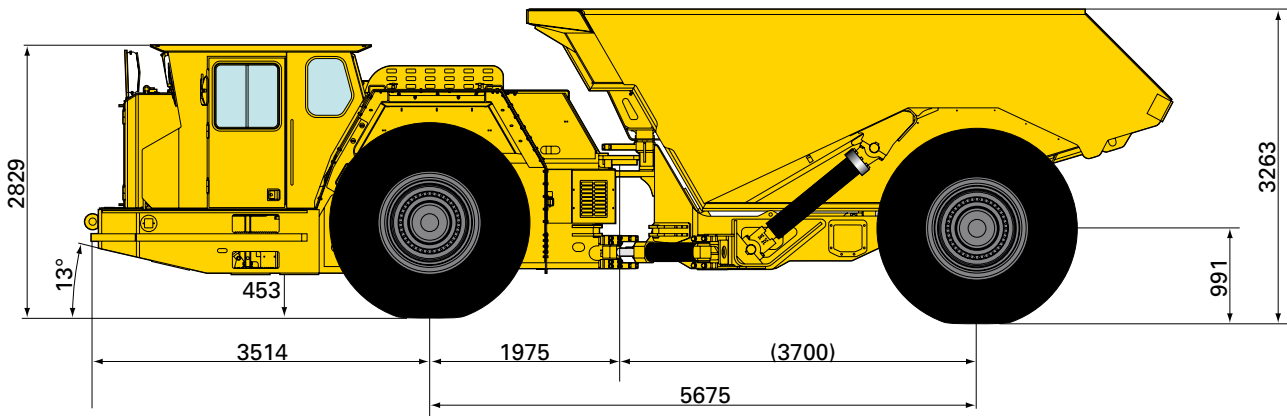
# Dump boxes

Dump box data		STD			
Material density (t/m <sup>3</sup> )	1.8	2.0	2.2	2.4	
Volume, SEA struck (m <sup>3</sup> )	30.4	26.6	24.1	21.7	
Volume, Semi-heaped (m <sup>3</sup> )	33.3	29.7	27.3	25.0	
Volume, SAE heaped (m <sup>3</sup> )	36.3	32.8	33.4	28.2	
Width, dump box (mm)	W	3 440	3440	3440	3440
Dump position: Box height, max (mm)	H1	6909	6842	6750	6689
Tramming position: Dump box height (mm)	H2	3462	3263	3122	2993
Dump position: Clearance (mm)	C	471	471	471	471

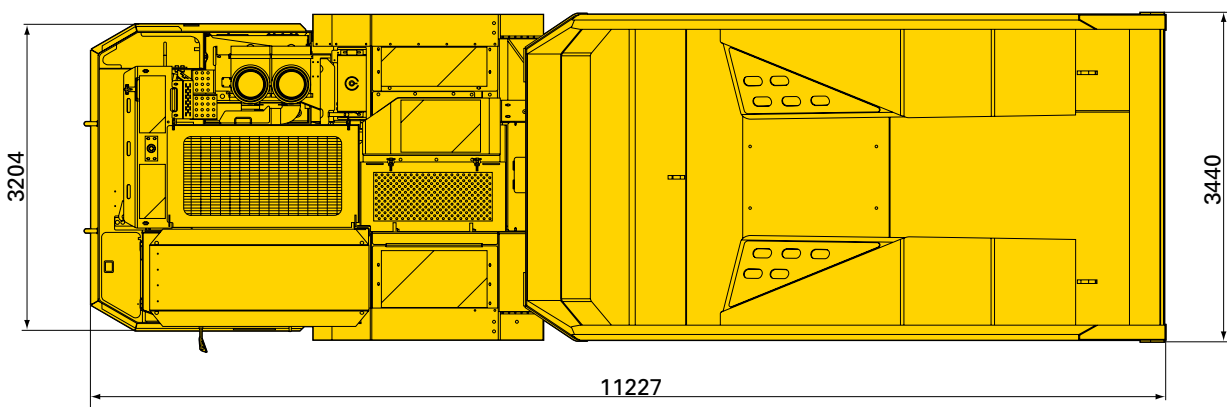
## Dimensions and weights

Approximate net weight.....43 900 kg  
 Axle load, front end .....29 700 kg  
 Axle load, back end.....14 200 kg

*Standard equipped vehicle with empty box.*



Side view



Top view

- Dimensions shown are based on standard vehicle configuration with 27 mm tyre deflection.
- All dimensions are shown in millimetres.



© Copyright 2007, Atlas Copco Rock Drills AB, Örebro, Sweden. Any unauthorized use or copying of the contents or any part thereof is prohibited. This applies in particular to trademarks, model denominations, part numbers and drawings. Illustrations and photos in this brochure may show equipment with optional extras. Specifications and equipment subjects to change without notice. Consult your Atlas Copco Customer Center for specific information.