

**2012 Caterpillar R2900G 100-LD-020**



|                     |   |                                 |              |                      |       |            |
|---------------------|---|---------------------------------|--------------|----------------------|-------|------------|
| <b>Make</b>         | Caterpillar   |                                 | <b>Model</b> | R2900G               |       |            |
| <b>Year</b>         | 2012  | <b>Hours</b>                    | 17243        |                      | As at | 01/09/2019 |
| <b>Mileage</b>      |   |                                 |              | km                   | As at |            |
| <b>Serial/VIN</b>   | CATR2900KJLK01161   |                                 |              | <b>Engine Serial</b> |       |            |
| <b>Details</b>      | <p>2012 Caterpillar R2900G asset # 100-LD-020<br/>                 This Caterpillar R2900G Scooptram Bogger has 17,250 frame hours and has done 4,500 hours since rebuild in 2017 by PJJ Group with a budget spend at that time of around \$900 K.<br/>                 Scope of work, Budget cost and Work orders report for this Caterpillar R2900G Underground Wheel Loader can be found in the GES Equipment Report PDF on the auction page for this asset.</p> <p>Offered for sale via online auction on an As IS basis running to drive on to buyers ex site Cobar, NSW. Australia.</p> |                                 |              |                      |       |            |
| <b>Asking price</b> | AUD   | Under review - call for pricing |              |                      |       |            |
| <b>Ex site</b>      | Australia, New South Wales, Cobar   |                                 |              |                      |       |            |

**Service  
history**

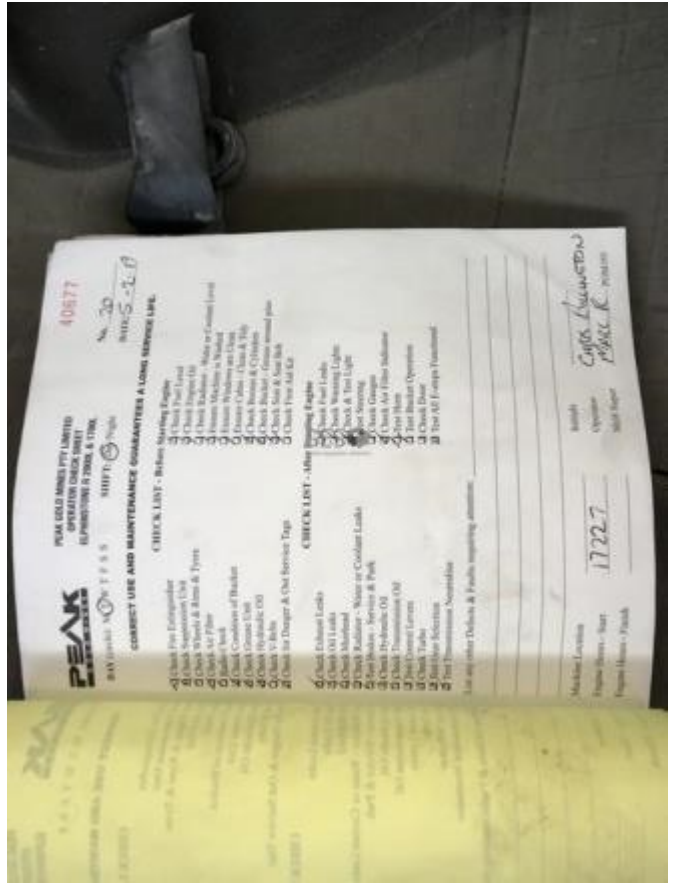
Rebuilt Q4 2017 by PJL Group.

**For further details, to make an offer or book an inspection, contact  
Global Equipment Solutions on Office: 08 9201 1142**













| <b>SCOPE OF WORK</b>                       |  | <b>100-LD-020<br/>CAT R2900G</b> |
|--|--|----------------------------------|
| <b>Frame &amp; Body</b>                    |  | <b>\$143,450</b>                 |
| Material Costs                             |  | \$64,000                         |
| Labour Costs                               |  | \$79,450                         |
| Other Costs                                |  | \$0                              |
| <b>Engine, Fuel, Exhaust &amp; Cooling</b> |  | <b>\$260,000</b>                 |
| Material Costs                             |  | \$205,000                        |
| Labour Costs                               |  | \$55,000                         |
| Other Costs                                |  | \$0                              |
| <b>Powertrain &amp; Driveline</b>          |  | <b>\$296,000</b>                 |
| Material Costs                             |  | \$248,000                        |
| Labour Costs                               |  | \$48,000                         |
| Other Costs                                |  | \$0                              |
| <b>Hydraulics</b>                          |  | <b>\$147,000</b>                 |
| Material Costs                             |  | \$109,000                        |
| Labour Costs                               |  | \$38,000                         |
| Other Costs                                |  | \$0                              |
| <b>Electrical &amp; Systems</b>            |  | <b>\$67,000</b>                  |
| Material Costs                             |  | \$35,000                         |
| Labour Costs                               |  | \$32,000                         |
| Other Costs                                |  | \$0                              |
| <b>Cabin &amp; Operators Station</b>       |  | <b>\$45,900</b>                  |
| Material Costs                             |  | \$24,900                         |
| Labour Costs                               |  | \$21,000                         |
| Other Costs                                |  | \$0                              |
| <b>Fire Suppression</b>                    |  | <b>\$12,200</b>                  |
| Material Costs                             |  | \$8,000                          |
| Labour Costs                               |  | \$4,200                          |
| Other Costs                                |  | \$0                              |
| <b>Commissioning</b>                       |  | <b>\$11,950</b>                  |
| Material Costs                             |  | \$1,200                          |
| Labour Costs                               |  | \$10,750                         |
| Other Costs                                |  | \$0                              |
| <b>Other</b>                               |  | <b>\$15,000</b>                  |
| Material Costs                             |  | \$0                              |
| Labour Costs                               |  | \$0                              |
| Other Costs                                |  | \$15,000                         |
| <b>Warranty</b>                            |  | <b>\$0</b>                       |
| Material Costs                             |  | \$0                              |
| Labour Costs                               |  | \$0                              |
| Other Costs                                |  | \$0                              |
| <b>Exclusions</b>                          |  |                                  |
| <b>TOTAL</b>                               |  |                                  |
| Material Costs                             |  | \$695,100                        |
| Labour Costs                               |  | \$288,400                        |
| Other Costs                                |  | \$15,000                         |
| <b>GRAND TOTAL</b>                         |  | <b>\$998,500</b>                 |



**SCOPE OF WORK**

**100-LD-019** **100-LD-020** **100-LD-021**  
**CAT R2900G** **CAT R2900G** **CAT R2900G**

**Frame & Body**

|   |   |   |   |
|---|---|---|---|
| 1. Full strip to bare frame.  | X | X | X |
| 2. Blast and repaint, Inspect all welds for cracks. Complete 10% NDT (die penetrant or similar) covering structurally significant areas. Gouge and repair as required. Notify PGM of any extensive work or areas of concern covering structurally significant areas. Cut out and replace with plate steel as required. Notify PGM of any extensive work or areas of concern | X | X | X |
| 4. Check all bush bores for roundness against OEM specification. If near or exceeding tolerances line bore as required  | X | X | X |
| 5. Replace all pins & bushes with new OEM parts   | X | X | X |
| 6. Refurbish all covers, guards, walkways and handrails   | X | X | X |
| 7. Inspect bucket. Thickness test areas of concern and replace wear plates as required. Complete refurbished and replace teeth with new like-for-like   | X | X | X |
| 8. Replace/install all wear strips, larger wings and bumper extensions unless as per original thickness   | X | X | X |
| 9. Blast and inspect dog-bone and z-link for cracks and wear. Refurbish and repaint as required   | X | X | X |

**Material Costs**  
**Labour Costs**

**Engine, Fuel, Exhaust & Cooling**

|  |   |   |   |
|--|---|---|---|
| 1. Engine to be replaced with new<br>The existing engine is available to the vendor or the vendor can quote to refurbish if repairable | X | X | X |
| 2. Replace all valving, tanks and circuit components including thermostats, pumps, pipes & retainers with new                          | X | X | X |
| 3. Replace cooler packs and all associated hoses with new  | X | X | X |
| 4. Remove DPF and service. Connect monitoring system and refurbish exhaust system  | X | X | X |
| 5. Replace all fuel lines with braided hose as per OEM specification   | X | X | X |
| 6. Complete Ventilation Reduction (VR) upgrade as per OEM specification  | X | X | X |

**Material Costs**  
**Labour Costs**

**Powertrain & Driveline**

|   |   |   |   |
|---|---|---|---|
| 1. Rebuild front and rear axles with new OEM parts including latest upgrades of pins and planetaries. Detail inspection and repairs in the rebuild report | X | X | X |
| 2. Refurbish all drive shafts   | X | X | X |

|   |   |   |   |
|---|---|---|---|
| 3. Strip and assess convertor. Refurbish with all new components if suitable. Complete dyno testing.<br>Include details, photos and dyno results in rebuild report      | X | X | X |
| 4. Strip and assess transmission. Refurbish with all new components if suitable. Complete dyno testing.<br>Include details, photos and dyno results in rebuild report   | X | X | X |
| 5. Remove, inspect and crack test rims. Provide certification<br>Include details and photos in rebuild report   | X | X | X |
| 6. Replace all tyres with Bridgestone 295R29 34 STMS TL D2A.<br>The used tyre are available to the vendor or can be sent to the Tyre Doctor (Leeton, NSW) if repairable | X | X | X |
| <b>Material Costs</b>   |   |   |   |
| <b>Labour Costs</b>   |   |   |   |
| <b>Hydraulics</b>   |   |   |   |
| 1. All hydraulic hose's to be replaced with new   | X | X | X |
| 2. Replace all valving, tanks and circuit components including pumps, accumulators, pipes & retainers with new  | X | X | X |
| 3. Overhaul auto-grease system. Replace hoses, valving and nozzles with new.  | X | X | X |
| 4. Strip and assess steering cylinders. Rebuild with all new parts<br>Include details and photos in rebuild report  | X | X | X |
| 5. Strip and assess lift & tilt cylinder(s). Rebuild with all new parts<br>Include details and photos in rebuild report   | X | X | X |
| <b>Material Costs</b>   |   |   |   |
| <b>Labour Costs</b>   |   |   |   |
| <b>Electrical &amp; Systems</b>   |   |   |   |
| 1. All wiring harnesses, solenoids, switches and sensors to be replaced with new, routed and secured neatly. Do NOT painted   | X | X | X |
| 2. VIMS to be configured and tested to ensure it is operational   | X | X | X |
| 3. Replace all lighting with new like-for-like  | X | X | X |
| 4. Refurbish remote control systems. RCT to test & commission   | X | X | X |
| <b>Material Costs</b>   |   |   |   |
| <b>Labour Costs</b>   |   |   |   |
| <b>Cabin &amp; Operators Station</b>  |   |   |   |
| 1. Strip and refurbish cabin  | X | X | X |
| 2. Replace the seat with new like-for-like  | X | X | X |
| <b>Material Costs</b>   |   |   |   |
| <b>Labour Costs</b>   |   |   |   |
| <b>Fire Suppression</b>   |   |   |   |
| 1. Refurbish fire system. Replace all hoses and nozzles with new OEM parts<br>Supply test certificate   | X | X | X |
| <b>Material Costs</b>   |   |   |   |
| <b>Labour Costs</b>   |   |   |   |
| <b>Commissioning</b>  |   |   |   |

|  |   |   |   |
|--|---|---|---|
| 1. The machine is to be fully functionally tested with load for no less than 20hrs   | X | X | X |
| 2. The vendor is to factor in 5 days into their schedule near completion whereby PGM technicians will be on premises to conduct testing & commissioning activities. A checklist will be provided prior to the rebuild commencing. It is expected that vendor personnel and equipment is on-hand for assistance | X | X | X |
| 3. The vendor is expected to provide a technician for no less than 4 weeks to complete any onsite commissioning and troubleshoot any issues  | X | X | X |
| 4. The Vendor is to supply all commissioning documents and pressure testing certification which must be approved by PGM prior to delivery  | X | X | X |
| <b>Material Costs</b>  |   |   |   |
| <b>Labour Costs</b>  |   |   |   |
| <b>Other</b>   |   |   |   |
| 1. Freight to and from PGM to vendors facility   | X | X | X |
| 2. All freight of parts and components   | X | X | X |
| 3. All project management and supervisor including preparation of the rebuild report   | X | X | X |
| <b>Costs</b>   |   |   |   |
| <b>Warranty</b>  |   |   |   |
| 1. 12 month/5,000hrs powertrain  | X | X | X |
| 2. 6 month hydraulic components and hosing   | X | X | X |
| <b>Cost</b>  |   |   |   |
| <b>Exclusions</b>  |   |   |   |
| NIL  |   |   |   |
| <b>General Notes</b>   |   |   |   |
| 1. All major components to be replaced or rebuild using genuine OEM parts only   |   |   |   |
| 2. Unit to be supplied compliant to MDG 15   |   |   |   |
| 3. The vendor is to provide an update on progress and expected completion date every week at a minimum this scope. This will be discussed between the two parties to determine the course of action and subsequent variations  |   |   |   |
| 5. It is expected that this scope including all commissioning requirements can be completed within 12 weeks.   |   |   |   |
| <b>Total Material Costs</b>  |   |   |   |
| <b>Total Labour Costs</b>  |   |   |   |
| <b>Total Other</b>   |   |   |   |
| <b>Grand Total</b>   |   |   |   |

| <b>Equipment</b> | <b>Description</b>                      | <b>Actual Start Date</b> | <b>Operation Text</b>                    | <b>Actual Finish Date</b> |
|------------------|---|--------------------------|--|---------------------------|
| 100-LD-020       | 100-LD-020 DAILY SERVICE                | 20180822                 | CAT R2900G DAILY SERVICE WEDNESDAY       | 20180904                  |
| 100-LD-020       | 100-LD-020 DAILY SERVICE                | 20180822                 | CAT R2900G DAILY SERVICE TUESDAY         | 0                         |
| 100-LD-020       | 100-LD-020 DAILY SERVICE                | 20180822                 | CAT R2900G DAILY SERVICE SUNDAY          | 20180828                  |
| 100-LD-020       | 100-LD-020 DAILY SERVICE                | 20180822                 | CAT R2900G DAILY SERVICE SATURDAY        | 20180825                  |
| 100-LD-020       | 100-LD-020 DAILY SERVICE                | 20180822                 | CAT R2900G DAILY SERVICE FRIDAY          | 20180828                  |
| 100-LD-020       | 100-LD-020 DAILY SERVICE                | 20180822                 | CAT R2900G DAILY SERVICE MONDAY          | 20180828                  |
| 100-LD-020       | 100-LD-020 DAILY SERVICE                | 20180822                 | CAT R2900G DAILY SERVICE THURSDAY        | 20180823                  |
| 100-LD-020       | 250HR CAT LOADER SERVICE                | 20180821                 | 250HR R2900G MECH SERVICE                | 20180821                  |
| 100-LD-020       | 500HR CAT R2900G EMISSIONS TESTING      | 20180821                 | 500HR CAT R2900G EMISSIONS TESTING       | 20180821                  |
| 100-LD-020-ELC   | jumping into neutral                    | 20180821                 | jumping into neutral                     | 20180821                  |
| 100-LD-020       | NOISY BUCKET PIN                        | 20180816                 | NOISY BUCKET PIN                         | 20180821                  |
| 100-LD-020       | 100-LD-020 DAILY SERVICE                | 20180815                 | CAT R2900G DAILY SERVICE SATURDAY        | 20180819                  |
| 100-LD-020       | 100-LD-020 DAILY SERVICE                | 20180815                 | CAT R2900G DAILY SERVICE FRIDAY          | 0                         |
| 100-LD-020       | 100-LD-020 DAILY SERVICE                | 20180815                 | CAT R2900G DAILY SERVICE MONDAY          | 20180821                  |
| 100-LD-020       | 100-LD-020 DAILY SERVICE                | 20180815                 | CAT R2900G DAILY SERVICE THURSDAY        | 0                         |
| 100-LD-020       | 100-LD-020 DAILY SERVICE                | 20180815                 | CAT R2900G DAILY SERVICE WEDNESDAY       | 20180816                  |
| 100-LD-020       | 100-LD-020 DAILY SERVICE                | 20180815                 | CAT R2900G DAILY SERVICE TUESDAY service | 0                         |
| 100-LD-020       | 100-LD-020 DAILY SERVICE                | 20180815                 | CAT R2900G DAILY SERVICE SUNDAY          | 20180820                  |
| 100-LD-020       | Blown Hyd Hose                          | 20180814                 | Blown Hyd Hose                           | 20180814                  |
| 100-LD-020       | 100-LD-020 DAILY SERVICE                | 20180808                 | CAT R2900G DAILY SERVICE FRIDAY          | 20180811                  |
| 100-LD-020       | 100-LD-020 DAILY SERVICE                | 20180808                 | CAT R2900G DAILY SERVICE SUNDAY          | 20180813                  |
| 100-LD-020       | 100-LD-020 DAILY SERVICE                | 20180808                 | CAT R2900G DAILY SERVICE TUESDAY         | 20180815                  |
| 100-LD-020       | 100-LD-020 DAILY SERVICE                | 20180808                 | CAT R2900G DAILY SERVICE MONDAY          | 20180814                  |
| 100-LD-020       | 100-LD-020 DAILY SERVICE                | 20180808                 | CAT R2900G DAILY SERVICE SATURDAY        | 20180812                  |
| 100-LD-020       | 100-LD-020 DAILY SERVICE                | 20180808                 | CAT R2900G DAILY SERVICE THURSDAY        | 20180810                  |
| 100-LD-020       | 100-LD-020 DAILY SERVICE                | 20180808                 | CAT R2900G DAILY SERVICE WEDNESDAY       | 20180809                  |
| 100-LD-020       | replaced missing bucket tooth           | 20180807                 | replaced missing bucket tooth            | 20180807                  |
| 100-LD-020-HYD   | DAMAGED HYD HOSE                        | 20180802                 | DAMAGED HYD HOSE                         | 20180802                  |
| 100-LD-020       | 100-LD-020 DAILY SERVICE                | 20180801                 | CAT R2900G DAILY SERVICE FRIDAY          | 20180804                  |
| 100-LD-020       | 100-LD-020 DAILY SERVICE                | 20180801                 | CAT R2900G DAILY SERVICE SATURDAY        | 20180805                  |
| 100-LD-020       | 100-LD-020 DAILY SERVICE                | 20180801                 | CAT R2900G DAILY SERVICE MONDAY          | 20180808                  |
| 100-LD-020       | 100-LD-020 DAILY SERVICE                | 20180801                 | CAT R2900G DAILY SERVICE THURSDAY        | 20180804                  |
| 100-LD-020       | 100-LD-020 DAILY SERVICE                | 20180801                 | CAT R2900G DAILY SERVICE WEDNESDAY       | 20180804                  |
| 100-LD-020       | 100-LD-020 DAILY SERVICE                | 20180801                 | CAT R2900G DAILY SERVICE TUESDAY         | 20180808                  |
| 100-LD-020       | 100-LD-020 DAILY SERVICE                | 20180801                 | CAT R2900G DAILY SERVICE SUNDAY          | 20180807                  |
| 100-LD-020-DRV   | REPLACE POS 1 OSR 18068                 | 20180731                 | REPLACE POS 1                            | 20180731                  |
| 100-LD-020       | 500HR CAT LOADER SERVICE                | 20180728                 | 500HR CAT R2900G MECH SERVICE            | 20180730                  |
| 100-LD-020-DRV   | Replace Pos2 Tyre                       | 20180727                 | Replace Pos2 Tyre                        | 20180727                  |
| 100-LD-020       | 100-LD-020 DAILY SERVICE                | 20180725                 | CAT R2900G DAILY SERVICE FRIDAY          | 20180728                  |
| 100-LD-020       | 100-LD-020 DAILY SERVICE                | 20180725                 | CAT R2900G DAILY SERVICE SATURDAY        | 20180802                  |
| 100-LD-020       | 100-LD-020 DAILY SERVICE                | 20180725                 | CAT R2900G DAILY SERVICE WEDNESDAY       | 20180726                  |
| 100-LD-020       | 100-LD-020 DAILY SERVICE                | 20180725                 | CAT R2900G DAILY SERVICE SUNDAY          | 20180802                  |
| 100-LD-020       | 100-LD-020 DAILY SERVICE                | 20180725                 | CAT R2900G DAILY SERVICE TUESDAY         | 0                         |
| 100-LD-020       | 100-LD-020 DAILY SERVICE                | 20180725                 | CAT R2900G DAILY SERVICE MONDAY          | 20180802                  |
| 100-LD-020       | 100-LD-020 DAILY SERVICE                | 20180725                 | CAT R2900G DAILY SERVICE THURSDAY        | 20180727                  |
| 100-LD-020-HYD   | Blown R/H hockey stick                  | 20180724                 | Blown R/H hockey stick                   | 20180724                  |
| 100-LD-020-ENG   | ac fault                                | 20180721                 | ac fault                                 | 20180721                  |
| 100-LD-020       | 100-LD-020 DAILY SERVICE                | 20180719                 | CAT R2900G DAILY SERVICE SUNDAY          | 20180723                  |
| 100-LD-020       | 100-LD-020 DAILY SERVICE                | 20180719                 | CAT R2900G DAILY SERVICE MONDAY          | 20180724                  |
| 100-LD-020       | 100-LD-020 DAILY SERVICE                | 20180719                 | CAT R2900G DAILY SERVICE FRIDAY          | 20180721                  |
| 100-LD-020       | 100-LD-020 DAILY SERVICE                | 20180719                 | CAT R2900G DAILY SERVICE TUESDAY         | 20180725                  |
| 100-LD-020       | 100-LD-020 DAILY SERVICE                | 20180719                 | CAT R2900G DAILY SERVICE WEDNESDAY       | 0                         |
| 100-LD-020       | 100-LD-020 DAILY SERVICE                | 20180719                 | CAT R2900G DAILY SERVICE SATURDAY        | 20180722                  |
| 100-LD-020       | 100-LD-020 DAILY SERVICE                | 20180719                 | CAT R2900G DAILY SERVICE THURSDAY        | 20180720                  |
| 100-LD-020-STR   | replace missing bucket teeth            | 20180719                 | replace missing bucket teeth             | 20180719                  |
| 100-LD-020-DRV   | Pos 2 Flat Tyre                         | 20180717                 | Pos 2 Flat Tyre                          | 20180717                  |
| 100-LD-020-HYD   | Repair Damge Grease Line to LH Lift Cyl | 20180715                 | Repair Damge Grease Line to LH Lift Cyl  | 20180715                  |
| 100-LD-020       | 100-LD-020 DAILY SERVICE                | 20180711                 | CAT R2900G DAILY SERVICE FRIDAY          | 20180714                  |
| 100-LD-020       | 100-LD-020 DAILY SERVICE                | 20180711                 | CAT R2900G DAILY SERVICE SATURDAY        | 20180715                  |
| 100-LD-020       | 100-LD-020 DAILY SERVICE                | 20180711                 | CAT R2900G DAILY SERVICE MONDAY          | 20180717                  |
| 100-LD-020       | 100-LD-020 DAILY SERVICE                | 20180711                 | CAT R2900G DAILY SERVICE THURSDAY        | 20180713                  |
| 100-LD-020       | 100-LD-020 DAILY SERVICE                | 20180711                 | CAT R2900G DAILY SERVICE SUNDAY          | 20180716                  |
| 100-LD-020       | 100-LD-020 DAILY SERVICE                | 20180711                 | CAT R2900G DAILY SERVICE TUESDAY         | 20180718                  |
| 100-LD-020       | 100-LD-020 DAILY SERVICE                | 20180711                 | CAT R2900G DAILY SERVICE WEDNESDAY       | 20180712                  |
| 100-LD-020       | 100-LD-020 DAILY SERVICE                | 20180705                 | CAT R2900G DAILY SERVICE THURSDAY        | 20180711                  |
| 100-LD-020       | 100-LD-020 DAILY SERVICE                | 20180705                 | CAT R2900G DAILY SERVICE WEDNESDAY       | 0                         |

|                |  |   |           |
|----------------|--|---|-----------|
| 100-LD-020     | 100-LD-020 DAILY SERVICE                 | 20180705 CAT R2900G DAILY SERVICE TUESDAY         | 20180711  |
| 100-LD-020     | 100-LD-020 DAILY SERVICE                 | 20180705 CAT R2900G DAILY SERVICE SATURDAY        | 0         |
| 100-LD-020     | 100-LD-020 DAILY SERVICE                 | 20180705 CAT R2900G DAILY SERVICE FRIDAY          | 0         |
| 100-LD-020     | 100-LD-020 DAILY SERVICE                 | 20180705 CAT R2900G DAILY SERVICE MONDAY          | 20180711  |
| 100-LD-020     | 250HR CAT LOADER SERVICE                 | 20180705 250HR R2900G MECH SERVICE                | 20180706  |
| 100-LD-020     | 250HR CAT LOADER SERVICE                 | 20180705 INSPECT / REPORT ON BUCKET CONDITION     | 20180706  |
| 100-LD-020     | 100-LD-020 DAILY SERVICE                 | 20180705 CAT R2900G DAILY SERVICE SUNDAY          | 20180711  |
| 100-LD-020     | 250HR CAT LOADER SERVICE                 | 20180705 Replace bucket rubber stops              | 20180706  |
| 100-LD-020-DRV | noise in rear diff trunion u/s           | 20180705 noise in rear diff trunion u/s           | 20180705  |
| 100-LD-020-HYD | BROKEN GREASE LINES/FITTINGS ROCK DAMAGE | 20180702 BROKEN GREASE LINES/FITTINGS ROCK DAMAGE | 20180702  |
| 100-LD-020-DRV | SNAPPED BOLTS ON HIGH SPEED SHAFT COVER  | 20180629 SNAPPED BOLTS ON HIGH SPEED SHAFT COVER  | 20180629  |
| 100-LD-020     | 100-LD-020 DAILY SERVICE                 | 20180627 CAT R2900G DAILY SERVICE WEDNESDAY       | 20180628  |
| 100-LD-020     | 100-LD-020 DAILY SERVICE                 | 20180627 CAT R2900G DAILY SERVICE TUESDAY         | 20180704  |
| 100-LD-020     | 100-LD-020 DAILY SERVICE                 | 20180627 CAT R2900G DAILY SERVICE SUNDAY          | 20180702  |
| 100-LD-020     | 100-LD-020 DAILY SERVICE                 | 20180627 CAT R2900G DAILY SERVICE FRIDAY          | 20180629  |
| 100-LD-020     | 100-LD-020 DAILY SERVICE                 | 20180627 CAT R2900G DAILY SERVICE SATURDAY        | 20180702  |
| 100-LD-020     | 100-LD-020 DAILY SERVICE                 | 20180627 CAT R2900G DAILY SERVICE MONDAY          | 20180703  |
| 100-LD-020     | 100-LD-020 DAILY SERVICE                 | 20180627 CAT R2900G DAILY SERVICE THURSDAY        | 20180628  |
| 100-LD-020-STR | retension all bucket teeth               | 20180622 retension all bucket teeth               | 20180622  |
| 100-LD-020     | 100-LD-020 DAILY SERVICE                 | 20180620 CAT R2900G DAILY SERVICE TUESDAY         | 20180627  |
| 100-LD-020     | 100-LD-020 DAILY SERVICE                 | 20180620 CAT R2900G DAILY SERVICE SUNDAY          | 20180625  |
| 100-LD-020     | 100-LD-020 DAILY SERVICE                 | 20180620 CAT R2900G DAILY SERVICE MONDAY          | 20180626  |
| 100-LD-020     | 100-LD-020 DAILY SERVICE                 | 20180620 CAT R2900G DAILY SERVICE THURSDAY        | 20180622  |
| 100-LD-020     | 100-LD-020 DAILY SERVICE                 | 20180620 CAT R2900G DAILY SERVICE FRIDAY          | 20180623  |
| 100-LD-020     | 100-LD-020 DAILY SERVICE                 | 20180620 CAT R2900G DAILY SERVICE SATURDAY        | 20180624  |
| 100-LD-020     | 100-LD-020 DAILY SERVICE                 | 20180620 CAT R2900G DAILY SERVICE WEDNESDAY       | 20180621  |
| 100-LD-020     | 1000HR CAT LOADER SERVICE                | 20180616 1000HR CAT R2900G MECH SERVICE           | 20180616  |
| 100-LD-020-HYD | RIDE CONTROL HOSE                        | 20180616 REPLACE RIDE CONTROL HOSE                | 20180619  |
| 100-LD-020     | 100-LD-020 DAILY SERVICE                 | 20180613 CAT R2900G DAILY SERVICE MONDAY          | 0         |
| 100-LD-020     | 100-LD-020 DAILY SERVICE                 | 20180613 CAT R2900G DAILY SERVICE TUESDAY         | 20180620  |
| 100-LD-020     | 100-LD-020 DAILY SERVICE                 | 20180613  | 4162320 0 |
| 100-LD-020     | 100-LD-020 DAILY SERVICE                 | 20180613 CAT R2900G DAILY SERVICE SUNDAY          | 20180618  |
| 100-LD-020     | 100-LD-020 DAILY SERVICE                 | 20180613 CAT R2900G DAILY SERVICE WEDNESDAY       | 20180614  |
| 100-LD-020     | 100-LD-020 DAILY SERVICE                 | 20180613 CAT R2900G DAILY SERVICE FRIDAY          | 0         |
| 100-LD-020     | 100-LD-020 DAILY SERVICE                 | 20180613 CAT R2900G DAILY SERVICE SATURDAY        | 20180617  |
| 100-LD-020     | 100-LD-020 DAILY SERVICE                 | 20180613 CAT R2900G DAILY SERVICE THURSDAY        | 20180615  |
| 100-LD-020     | 100-LD-020 DAILY SERVICE                 | 20180604 CAT R2900G DAILY SERVICE WEDNESDAY       | 20180608  |
| 100-LD-020     | 100-LD-020 DAILY SERVICE                 | 20180604 CAT R2900G DAILY SERVICE MONDAY          | 20180611  |
| 100-LD-020     | 100-LD-020 DAILY SERVICE                 | 20180604 CAT R2900G DAILY SERVICE FRIDAY          | 20180610  |
| 100-LD-020     | 100-LD-020 DAILY SERVICE                 | 20180604 CAT R2900G DAILY SERVICE SATURDAY        | 20180610  |
| 100-LD-020     | 100-LD-020 DAILY SERVICE                 | 20180604 CAT R2900G DAILY SERVICE TUESDAY         | 20180613  |
| 100-LD-020     | 100-LD-020 DAILY SERVICE                 | 20180604 CAT R2900G DAILY SERVICE SUNDAY          | 20180611  |
| 100-LD-020     | 100-LD-020 DAILY SERVICE                 | 20180604 CAT R2900G DAILY SERVICE THURSDAY        | 20180608  |
| 100-LD-020-STR | Broken Boom Grease Injectors             | 20180602 Broken Boom Grease Injectors             | 20180602  |
| 100-LD-020     | 100-LD-020 DAILY SERVICE                 | 20180530 CAT R2900G DAILY SERVICE MONDAY          | 0         |
| 100-LD-020     | 100-LD-020 DAILY SERVICE                 | 20180530 CAT R2900G DAILY SERVICE FRIDAY          | 20180602  |
| 100-LD-020     | 100-LD-020 DAILY SERVICE                 | 20180530 CAT R2900G DAILY SERVICE SATURDAY        | 20180603  |
| 100-LD-020     | 100-LD-020 DAILY SERVICE                 | 20180530 CAT R2900G DAILY SERVICE THURSDAY        | 20180531  |
| 100-LD-020     | 100-LD-020 DAILY SERVICE                 | 20180530 CAT R2900G DAILY SERVICE SUNDAY          | 20180604  |
| 100-LD-020     | 100-LD-020 DAILY SERVICE                 | 20180530 CAT R2900G DAILY SERVICE TUESDAY         | 20180606  |
| 100-LD-020     | 100-LD-020 DAILY SERVICE                 | 20180530 CAT R2900G DAILY SERVICE WEDNESDAY       | 20180605  |
| 100-LD-020-DRV | DAMAGE TO CENTRE DRIVE SHAFT             | 20180528 DAMAGE TO CENTRE DRIVE SHAFT             | 20180528  |
| 100-LD-020-ELC | replace u/s isolator                     | 20180528 replace u/s isolator                     | 20180528  |
| 100-LD-020     | 250HR CAT LOADER SERVICE                 | 20180525 250HR R2900G MECH SERVICE                | 20180526  |
| 100-LD-020     | 500HR CAT R2900G EMISSIONS TESTING       | 20180525 500HR CAT R2900G EMISSIONS TESTING       | 20180526  |
| 100-LD-020     | 100-LD-020 DAILY SERVICE                 | 20180523 CAT R2900G DAILY SERVICE SATURDAY        | 20180527  |
| 100-LD-020     | 100-LD-020 DAILY SERVICE                 | 20180523 CAT R2900G DAILY SERVICE SUNDAY          | 20180528  |
| 100-LD-020     | 100-LD-020 DAILY SERVICE                 | 20180523 CAT R2900G DAILY SERVICE MONDAY          | 20180529  |
| 100-LD-020     | 100-LD-020 DAILY SERVICE                 | 20180523 CAT R2900G DAILY SERVICE FRIDAY          | 20180526  |
| 100-LD-020     | 100-LD-020 DAILY SERVICE                 | 20180523 CAT R2900G DAILY SERVICE TUESDAY         | 20180530  |
| 100-LD-020     | 100-LD-020 DAILY SERVICE                 | 20180523 CAT R2900G DAILY SERVICE WEDNESDAY       | 20180525  |
| 100-LD-020     | 100-LD-020 DAILY SERVICE                 | 20180523 CAT R2900G DAILY SERVICE THURSDAY        | 20180525  |
| 100-LD-020-HYD | Blown O-Ring on Lift Cylinder            | 20180521 Blown O-Ring on Lift Cylinder            | 20180521  |
| 100-LD-020-DRV | MEASURE BRAKE WEAR AND ADJUST DIFF PIN   | 20180505 MEASURE BRAKE WEAR & ADJUST DIFF PIN     | 20180518  |
| 100-LD-020-DRV | MEASURE BRAKE WEAR AND ADJUST DIFF PIN   | 20180505 MOUNT WHEEL CHOCKS                       | 0         |
| 100-LD-020     | 100-LD-020 DAILY SERVICE                 | 20180502 CAT R2900G DAILY SERVICE MONDAY          | 20180509  |
| 100-LD-020     | 100-LD-020 DAILY SERVICE                 | 20180502 CAT R2900G DAILY SERVICE FRIDAY          | 0         |
| 100-LD-020     | 100-LD-020 DAILY SERVICE                 | 20180502 CAT R2900G DAILY SERVICE TUESDAY         | 0         |
| 100-LD-020     | 100-LD-020 DAILY SERVICE                 | 20180502 CAT R2900G DAILY SERVICE WEDNESDAY       | 20180504  |

|                |  |   |          |
|----------------|--|---|----------|
| 100-LD-020     | 100-LD-020 DAILY SERVICE                 | 20180502 CAT R2900G DAILY SERVICE THURSDAY        | 20180504 |
| 100-LD-020     | 100-LD-020 DAILY SERVICE                 | 20180502 CAT R2900G DAILY SERVICE SATURDAY        | 0        |
| 100-LD-020     | 100-LD-020 DAILY SERVICE                 | 20180502 CAT R2900G DAILY SERVICE SUNDAY          | 20180507 |
| 100-LD-020     | Replace damaged front left worklight     | 20180427 Replace damaged front left worklight     | 20180427 |
| 100-LD-020     | 100-LD-020 DAILY SERVICE                 | 20180425 CAT R2900G DAILY SERVICE SUNDAY          | 20180430 |
| 100-LD-020     | 100-LD-020 DAILY SERVICE                 | 20180425 CAT R2900G DAILY SERVICE TUESDAY         | 20180502 |
| 100-LD-020     | 100-LD-020 DAILY SERVICE                 | 20180425 CAT R2900G DAILY SERVICE FRIDAY          | 20180428 |
| 100-LD-020     | 100-LD-020 DAILY SERVICE                 | 20180425 CAT R2900G DAILY SERVICE SATURDAY        | 20180429 |
| 100-LD-020     | 100-LD-020 DAILY SERVICE                 | 20180425 CAT R2900G DAILY SERVICE MONDAY          | 20180501 |
| 100-LD-020     | 100-LD-020 DAILY SERVICE                 | 20180425 CAT R2900G DAILY SERVICE THURSDAY        | 20180427 |
| 100-LD-020     | 100-LD-020 DAILY SERVICE                 | 20180425 CAT R2900G DAILY SERVICE WEDNESDAY       | 20180426 |
| 100-LD-020     | 100-LD-020 DAILY SERVICE                 | 20180418 CAT R2900G DAILY SERVICE FRIDAY          | 20180424 |
| 100-LD-020     | 100-LD-020 DAILY SERVICE                 | 20180418 CAT R2900G DAILY SERVICE SATURDAY        | 20180424 |
| 100-LD-020     | 100-LD-020 DAILY SERVICE                 | 20180418 CAT R2900G DAILY SERVICE WEDNESDAY       | 20180419 |
| 100-LD-020     | 100-LD-020 DAILY SERVICE                 | 20180418 CAT R2900G DAILY SERVICE SUNDAY          | 20180507 |
| 100-LD-020     | 100-LD-020 DAILY SERVICE                 | 20180418 CAT R2900G DAILY SERVICE TUESDAY         | 20180507 |
| 100-LD-020     | 100-LD-020 DAILY SERVICE                 | 20180418 CAT R2900G DAILY SERVICE MONDAY          | 20180424 |
| 100-LD-020     | 100-LD-020 DAILY SERVICE                 | 20180418 CAT R2900G DAILY SERVICE THURSDAY        | 20180420 |
| 100-LD-020     | 500HR CAT LOADER SERVICE                 | 20180416 500HR CAT R2900G MECH SERVICE            | 20180417 |
| 100-LD-020-HYD | REPLACE LIFT CYL                         | 20180416 REPLACE TILT CYL                         | 20180417 |
| 100-LD-020     | 100-LD-020 DAILY SERVICE                 | 20180411 CAT R2900G DAILY SERVICE FRIDAY          | 0        |
| 100-LD-020     | 100-LD-020 DAILY SERVICE                 | 20180411 CAT R2900G DAILY SERVICE SATURDAY        | 0        |
| 100-LD-020     | 100-LD-020 DAILY SERVICE                 | 20180411 CAT R2900G DAILY SERVICE SUNDAY          | 0        |
| 100-LD-020     | 100-LD-020 DAILY SERVICE                 | 20180411 CAT R2900G DAILY SERVICE TUESDAY         | 20180423 |
| 100-LD-020     | 100-LD-020 DAILY SERVICE                 | 20180411 CAT R2900G DAILY SERVICE WEDNESDAY       | 20180423 |
| 100-LD-020     | 100-LD-020 DAILY SERVICE                 | 20180411 CAT R2900G DAILY SERVICE MONDAY          | 0        |
| 100-LD-020     | 100-LD-020 DAILY SERVICE                 | 20180411 CAT R2900G DAILY SERVICE THURSDAY        | 20180423 |
| 100-LD-020     | camera cutting out                       | 20180410 camera cutting out                       | 20180410 |
| 100-LD-020     | 100-LD-020 DAILY SERVICE                 | 20180404 CAT R2900G DAILY SERVICE SATURDAY        | 20180411 |
| 100-LD-020     | 100-LD-020 DAILY SERVICE                 | 20180404 CAT R2900G DAILY SERVICE MONDAY          | 20180410 |
| 100-LD-020     | 100-LD-020 DAILY SERVICE                 | 20180404 CAT R2900G DAILY SERVICE FRIDAY          | 20180407 |
| 100-LD-020     | 100-LD-020 DAILY SERVICE                 | 20180404 CAT R2900G DAILY SERVICE WEDNESDAY       | 20180405 |
| 100-LD-020     | 100-LD-020 DAILY SERVICE                 | 20180404 CAT R2900G DAILY SERVICE SUNDAY          | 20180411 |
| 100-LD-020     | 100-LD-020 DAILY SERVICE                 | 20180404 CAT R2900G DAILY SERVICE TUESDAY         | 20180411 |
| 100-LD-020     | 100-LD-020 DAILY SERVICE                 | 20180404 CAT R2900G DAILY SERVICE THURSDAY        | 20180406 |
| 100-LD-020-DRV | REPLACE POS 1 TYRE                       | 20180329 REPLACE POS 1 TYRE                       | 20180403 |
| 100-LD-020     | 100-LD-020 DAILY SERVICE                 | 20180328 CAT R2900G DAILY SERVICE MONDAY          | 20180403 |
| 100-LD-020     | 100-LD-020 DAILY SERVICE                 | 20180328 CAT R2900G DAILY SERVICE FRIDAY          | 20180331 |
| 100-LD-020     | 100-LD-020 DAILY SERVICE                 | 20180328 CAT R2900G DAILY SERVICE TUESDAY         | 20180404 |
| 100-LD-020     | 100-LD-020 DAILY SERVICE                 | 20180328 CAT R2900G DAILY SERVICE WEDNESDAY       | 20180412 |
| 100-LD-020     | 100-LD-020 DAILY SERVICE                 | 20180328 CAT R2900G DAILY SERVICE SATURDAY        | 20180401 |
| 100-LD-020     | 100-LD-020 DAILY SERVICE                 | 20180328 CAT R2900G DAILY SERVICE THURSDAY        | 0        |
| 100-LD-020     | 100-LD-020 DAILY SERVICE                 | 20180328 CAT R2900G DAILY SERVICE SUNDAY          | 20180402 |
| 100-LD-020-ELC | park brake light on, alarm on            | 20180315 park brake light on, alarm on            | 20180326 |
| 100-LD-020     | 100-LD-020 DAILY SERVICE                 | 20180314 CAT R2900G DAILY SERVICE MONDAY          | 20180321 |
| 100-LD-020     | 100-LD-020 DAILY SERVICE                 | 20180314 CAT R2900G DAILY SERVICE FRIDAY          | 20180316 |
| 100-LD-020     | 100-LD-020 DAILY SERVICE                 | 20180314 CAT R2900G DAILY SERVICE SUNDAY          | 20180318 |
| 100-LD-020     | 100-LD-020 DAILY SERVICE                 | 20180314 CAT R2900G DAILY SERVICE SATURDAY        | 20180317 |
| 100-LD-020     | 100-LD-020 DAILY SERVICE                 | 20180314 CAT R2900G DAILY SERVICE TUESDAY         | 20180320 |
| 100-LD-020     | 100-LD-020 DAILY SERVICE                 | 20180314 CAT R2900G DAILY SERVICE WEDNESDAY       | 20180317 |
| 100-LD-020     | 100-LD-020 DAILY SERVICE                 | 20180314 CAT R2900G DAILY SERVICE THURSDAY        | 0        |
| 100-LD-020     | CHECK THAT ALL SEALS, RUBBERS, BOOTS ARE | 20180306 CHECK THAT ALL SEALS, RUBBERS, BOOTS ARE | 20180306 |
| 100-LD-020     | 500HR CAT R2900G EMISSIONS TESTING       | 20180306 500HR CAT R2900G EMISSIONS TESTING       | 20180306 |
| 100-LD-020     | 250HR CAT LOADER SERVICE                 | 20180306 250HR R2900G MECH SERVICE                | 20180306 |
| 100-LD-020-ELC | CLEAN OUT A/C UNIT INSIDE CABIN          | 20180306 CLEAN OUT A/C UNIT INSIDE CABIN          | 20180316 |
| 100-LD-020-ELC | loader not starting                      | 20180301 loader not starting                      | 20180306 |
| 100-LD-020     | 100-LD-020 DAILY SERVICE                 | 20180228 CAT R2900G DAILY SERVICE MONDAY          | 20180306 |
| 100-LD-020     | 100-LD-020 DAILY SERVICE                 | 20180228 CAT R2900G DAILY SERVICE FRIDAY          | 20180304 |
| 100-LD-020     | 100-LD-020 DAILY SERVICE                 | 20180228 CAT R2900G DAILY SERVICE SATURDAY        | 20180304 |
| 100-LD-020     | 100-LD-020 DAILY SERVICE                 | 20180228 CAT R2900G DAILY SERVICE TUESDAY         | 0        |
| 100-LD-020     | 100-LD-020 DAILY SERVICE                 | 20180228 CAT R2900G DAILY SERVICE WEDNESDAY       | 20180301 |
| 100-LD-020     | 100-LD-020 DAILY SERVICE                 | 20180228 CAT R2900G DAILY SERVICE THURSDAY        | 20180302 |
| 100-LD-020     | 100-LD-020 DAILY SERVICE                 | 20180228 CAT R2900G DAILY SERVICE SUNDAY          | 20180305 |
| 100-LD-020     | 100-LD-020 DAILY SERVICE                 | 20180221 CAT R2900G DAILY SERVICE FRIDAY          | 20180223 |
| 100-LD-020     | 100-LD-020 DAILY SERVICE                 | 20180221 CAT R2900G DAILY SERVICE SATURDAY        | 20180225 |
| 100-LD-020     | 100-LD-020 DAILY SERVICE                 | 20180221 CAT R2900G DAILY SERVICE MONDAY          | 20180227 |
| 100-LD-020     | 100-LD-020 DAILY SERVICE                 | 20180221 CAT R2900G DAILY SERVICE SUNDAY          | 20180226 |
| 100-LD-020     | 100-LD-020 DAILY SERVICE                 | 20180221 CAT R2900G DAILY SERVICE TUESDAY         | 20180228 |
| 100-LD-020     | 100-LD-020 DAILY SERVICE                 | 20180221 CAT R2900G DAILY SERVICE WEDNESDAY       | 20180221 |

|                |                                     |   |          |
|----------------|-------------------------------------|---|----------|
| 100-LD-020     | 100-LD-020 DAILY SERVICE            | 20180221 CAT R2900G DAILY SERVICE THURSDAY        | 20180222 |
| 100-LD-020-DRV | replace pos 1 tyre                  | 20180221 replace pos 1 tyre                       | 20180226 |
| 100-LD-020-DRV | replace pos 2 o-ring                | 20180220 replace pos 2 o-ring                     | 20180220 |
| 100-LD-020     | 2000HR CAT LOADER SERVICE           | 20180215 2000HR CAT R2900G MECH SERVICE           | 20180215 |
| 100-LD-020     | 100-LD-020 DAILY SERVICE            | 20180214 CAT R2900G DAILY SERVICE FRIDAY          | 20180219 |
| 100-LD-020     | 100-LD-020 DAILY SERVICE            | 20180214 CAT R2900G DAILY SERVICE MONDAY          | 20180220 |
| 100-LD-020     | 100-LD-020 DAILY SERVICE            | 20180214 CAT R2900G DAILY SERVICE SATURDAY        | 20180219 |
| 100-LD-020     | 100-LD-020 DAILY SERVICE            | 20180214 CAT R2900G DAILY SERVICE WEDNESDAY       | 20180219 |
| 100-LD-020     | 100-LD-020 DAILY SERVICE            | 20180214 CAT R2900G DAILY SERVICE TUESDAY         | 0        |
| 100-LD-020     | 100-LD-020 DAILY SERVICE            | 20180214 CAT R2900G DAILY SERVICE THURSDAY        | 0        |
| 100-LD-020     | 100-LD-020 DAILY SERVICE            | 20180214 CAT R2900G DAILY SERVICE SUNDAY          | 20180219 |
| 100-LD-020     | 100-LD-020 DAILY SERVICE            | 20180207 CAT R2900G DAILY SERVICE WEDNESDAY       | 20180213 |
| 100-LD-020     | 100-LD-020 DAILY SERVICE            | 20180207 CAT R2900G DAILY SERVICE FRIDAY          | 20180210 |
| 100-LD-020     | 100-LD-020 DAILY SERVICE            | 20180207 CAT R2900G DAILY SERVICE SATURDAY        | 20180210 |
| 100-LD-020     | 100-LD-020 DAILY SERVICE            | 20180207 CAT R2900G DAILY SERVICE MONDAY          | 20180211 |
| 100-LD-020     | 100-LD-020 DAILY SERVICE            | 20180207 CAT R2900G DAILY SERVICE SUNDAY          | 20180211 |
| 100-LD-020     | 100-LD-020 DAILY SERVICE            | 20180207 CAT R2900G DAILY SERVICE TUESDAY         | 20180213 |
| 100-LD-020     | 100-LD-020 DAILY SERVICE            | 20180207 CAT R2900G DAILY SERVICE THURSDAY        | 20180213 |
| 100-LD-020     | Confirm readiness for remote use    | 20180206 Confirm readiness for remote use         | 20180206 |
| 100-LD-020-STR | replace o,ring in l/h lift manifold | 20180204 replace o,ring in l/h lift manifold      | 20180204 |
| 100-LD-020     | 100-LD-020 DAILY SERVICE            | 20180131 CAT R2900G DAILY SERVICE MONDAY          | 0        |
| 100-LD-020     | 100-LD-020 DAILY SERVICE            | 20180131 CAT R2900G DAILY SERVICE THURSDAY        | 20180202 |
| 100-LD-020     | 100-LD-020 DAILY SERVICE            | 20180131 CAT R2900G DAILY SERVICE FRIDAY          | 20180203 |
| 100-LD-020     | 100-LD-020 DAILY SERVICE            | 20180131 CAT R2900G DAILY SERVICE SATURDAY        | 0        |
| 100-LD-020     | 100-LD-020 DAILY SERVICE            | 20180131 CAT R2900G DAILY SERVICE SUNDAY          | 20180204 |
| 100-LD-020     | 100-LD-020 DAILY SERVICE            | 20180131 CAT R2900G DAILY SERVICE TUESDAY         | 0        |
| 100-LD-020     | 100-LD-020 DAILY SERVICE            | 20180131 CAT R2900G DAILY SERVICE WEDNESDAY       | 20180209 |
| 100-LD-020-STR | Dog Bone Pin Loose                  | 20180126 Dog Bone Pin Loose                       | 20180130 |
| 100-LD-020     | 100-LD-020 DAILY SERVICE            | 20180124 CAT R2900G DAILY SERVICE WEDNESDAY       | 20180126 |
| 100-LD-020     | 100-LD-020 DAILY SERVICE            | 20180124 CAT R2900G DAILY SERVICE FRIDAY          | 20180127 |
| 100-LD-020     | 100-LD-020 DAILY SERVICE            | 20180124 CAT R2900G DAILY SERVICE SATURDAY        | 20180130 |
| 100-LD-020     | 100-LD-020 DAILY SERVICE            | 20180124 CAT R2900G DAILY SERVICE MONDAY          | 20180130 |
| 100-LD-020     | 100-LD-020 DAILY SERVICE            | 20180124 CAT R2900G DAILY SERVICE TUESDAY         | 20180130 |
| 100-LD-020     | 100-LD-020 DAILY SERVICE            | 20180124 CAT R2900G DAILY SERVICE THURSDAY        | 20180126 |
| 100-LD-020     | 100-LD-020 DAILY SERVICE            | 20180124 CAT R2900G DAILY SERVICE SUNDAY          | 20180129 |
| 100-LD-020     | 250HR CAT LOADER SERVICE            | 20180123 250HR R2900G MECH SERVICE                | 20180124 |
| 100-LD-020     | 100-LD-020 DAILY SERVICE            | 20180117 CAT R2900G DAILY SERVICE WEDNESDAY       | 20180122 |
| 100-LD-020     | 100-LD-020 DAILY SERVICE            | 20180117 CAT R2900G DAILY SERVICE TUESDAY         | 0        |
| 100-LD-020     | 100-LD-020 DAILY SERVICE            | 20180117 CAT R2900G DAILY SERVICE FRIDAY          | 20180120 |
| 100-LD-020     | 100-LD-020 DAILY SERVICE            | 20180117 CAT R2900G DAILY SERVICE SATURDAY        | 20180121 |
| 100-LD-020     | 100-LD-020 DAILY SERVICE            | 20180117 CAT R2900G DAILY SERVICE MONDAY(<,>,,<)> | 0        |
| 100-LD-020     | 100-LD-020 DAILY SERVICE            | 20180117 CAT R2900G DAILY SERVICE THURSDAY        | 20180119 |
| 100-LD-020     | 100-LD-020 DAILY SERVICE            | 20180117 CAT R2900G DAILY SERVICE SUNDAY          | 20180122 |
| 100-LD-020-HYD | TILT CYL CREEPING BAD               | 20180115 Pjl - LD-20 TILT CYLINDER NON WARRANTY   | 0        |
| 100-LD-020-HYD | TILT CYL CREEPING BAD               | 20180115 TILT CYL CREEPING BAD OSR                | 20180122 |
| 100-LD-020     | 100-LD-020 DAILY SERVICE            | 20180110 CAT R2900G DAILY SERVICE SUNDAY          | 20180115 |
| 100-LD-020     | 100-LD-020 DAILY SERVICE            | 20180110 CAT R2900G DAILY SERVICE WEDNESDAY       | 20180117 |
| 100-LD-020     | 100-LD-020 DAILY SERVICE            | 20180110 CAT R2900G DAILY SERVICE FRIDAY          | 20180111 |
| 100-LD-020     | 100-LD-020 DAILY SERVICE            | 20180110 CAT R2900G DAILY SERVICE SATURDAY        | 0        |
| 100-LD-020     | 100-LD-020 DAILY SERVICE            | 20180110 CAT R2900G DAILY SERVICE MONDAY          | 20180116 |
| 100-LD-020     | 100-LD-020 DAILY SERVICE            | 20180110 CAT R2900G DAILY SERVICE TUESDAY         | 20180117 |
| 100-LD-020     | 100-LD-020 DAILY SERVICE            | 20180110 CAT R2900G DAILY SERVICE THURSDAY        | 20180112 |
| 100-LD-020-HYD | oil leak                            | 20180108 oil leak                                 | 20180108 |
| 100-LD-020     | 100-LD-020 DAILY SERVICE            | 20180103 CAT R2900G DAILY SERVICE FRIDAY          | 20180106 |
| 100-LD-020     | 100-LD-020 DAILY SERVICE            | 20180103 CAT R2900G DAILY SERVICE SATURDAY        | 20180107 |
| 100-LD-020     | 100-LD-020 DAILY SERVICE            | 20180103 CAT R2900G DAILY SERVICE MONDAY          | 20180108 |
| 100-LD-020     | 100-LD-020 DAILY SERVICE            | 20180103 CAT R2900G DAILY SERVICE WEDNESDAY       | 20180104 |
| 100-LD-020     | 100-LD-020 DAILY SERVICE            | 20180103 CAT R2900G DAILY SERVICE THURSDAY        | 20180105 |
| 100-LD-020     | 100-LD-020 DAILY SERVICE            | 20180103 CAT R2900G DAILY SERVICE TUESDAY         | 20180110 |
| 100-LD-020     | 100-LD-020 DAILY SERVICE            | 20180103 CAT R2900G DAILY SERVICE SUNDAY          | 20180110 |
| 100-LD-020-HYD | LEAKING HOSE                        | 20180103 REPAIR LEAKING HOSE - (Pjl WARRANTY)     | 20180104 |
| 100-LD-020     | 100-LD-020 DAILY SERVICE            | 20171228 CAT R2900G DAILY SERVICE WEDNESDAY       | 0        |
| 100-LD-020     | 100-LD-020 DAILY SERVICE            | 20171228 CAT R2900G DAILY SERVICE FRIDAY          | 0        |
| 100-LD-020     | 100-LD-020 DAILY SERVICE            | 20171228 CAT R2900G DAILY SERVICE SATURDAY        | 20171231 |
| 100-LD-020     | 100-LD-020 DAILY SERVICE            | 20171228 CAT R2900G DAILY SERVICE MONDAY          | 20180102 |
| 100-LD-020     | 100-LD-020 DAILY SERVICE            | 20171228 CAT R2900G DAILY SERVICE SUNDAY          | 20180101 |
| 100-LD-020     | 100-LD-020 DAILY SERVICE            | 20171228 CAT R2900G DAILY SERVICE TUESDAY         | 20180103 |
| 100-LD-020     | 100-LD-020 DAILY SERVICE            | 20171228 CAT R2900G DAILY SERVICE THURSDAY        | 20171228 |
| 100-LD-020     | CONDUCT RETURN TO SITE INSPECTION   | 20171228 CONDUCT RETURN TO SITE INSPECTION        | 20171229 |

|                |                                      |   |          |
|----------------|--------------------------------------|---|----------|
| 100-LD-020     | 100-LD-020 DAILY SERVICE             | 20170913 CAT R2900G DAILY SERVICE WEDNESDAY       | 20170920 |
| 100-LD-020     | 100-LD-020 DAILY SERVICE             | 20170913 CAT R2900G DAILY SERVICE TUESDAY         | 0        |
| 100-LD-020     | 100-LD-020 DAILY SERVICE             | 20170913 CAT R2900G DAILY SERVICE SUNDAY          | 0        |
| 100-LD-020     | 100-LD-020 DAILY SERVICE             | 20170913 CAT R2900G DAILY SERVICE FRIDAY          | 0        |
| 100-LD-020     | 100-LD-020 DAILY SERVICE             | 20170913 CAT R2900G DAILY SERVICE SATURDAY        | 0        |
| 100-LD-020     | 100-LD-020 DAILY SERVICE             | 20170913 CAT R2900G DAILY SERVICE THURSDAY        | 0        |
| 100-LD-020     | 100-LD-020 DAILY SERVICE             | 20170913 CAT R2900G DAILY SERVICE MONDAY          | 0        |
| 100-LD-020     | 100-LD-020 DAILY SERVICE             | 20170906 CAT R2900G DAILY SERVICE FRIDAY          | 20170910 |
| 100-LD-020     | 100-LD-020 DAILY SERVICE             | 20170906 CAT R2900G DAILY SERVICE SATURDAY        | 20170910 |
| 100-LD-020     | 100-LD-020 DAILY SERVICE             | 20170906 CAT R2900G DAILY SERVICE THURSDAY        | 20170907 |
| 100-LD-020     | 100-LD-020 DAILY SERVICE             | 20170906 CAT R2900G DAILY SERVICE SUNDAY          | 20170911 |
| 100-LD-020     | 100-LD-020 DAILY SERVICE             | 20170906 CAT R2900G DAILY SERVICE TUESDAY         | 20170912 |
| 100-LD-020     | 100-LD-020 DAILY SERVICE             | 20170906 CAT R2900G DAILY SERVICE WEDNESDAY       | 20170919 |
| 100-LD-020     | 100-LD-020 DAILY SERVICE             | 20170906 CAT R2900G DAILY SERVICE MONDAY          | 20170911 |
| 100-LD-020     | 100-LD-020 DAILY SERVICE             | 20170901 CAT R2900G DAILY SERVICE THURSDAY        | 0        |
| 100-LD-020     | 100-LD-020 DAILY SERVICE             | 20170901 CAT R2900G DAILY SERVICE FRIDAY          | 20170919 |
| 100-LD-020     | 100-LD-020 DAILY SERVICE             | 20170901 CAT R2900G DAILY SERVICE SATURDAY        | 0        |
| 100-LD-020     | 100-LD-020 DAILY SERVICE             | 20170901 CAT R2900G DAILY SERVICE MONDAY          | 0        |
| 100-LD-020     | 100-LD-020 DAILY SERVICE             | 20170901 CAT R2900G DAILY SERVICE WEDNESDAY       | 0        |
| 100-LD-020     | 100-LD-020 DAILY SERVICE             | 20170901 CAT R2900G DAILY SERVICE SUNDAY          | 0        |
| 100-LD-020     | 100-LD-020 DAILY SERVICE             | 20170901 CAT R2900G DAILY SERVICE TUESDAY         | 0        |
| 100-LD-020-STR | broken steering nutriliser shaft     | 20170826 broken steering nutriliser shaft         | 20170828 |
| 100-LD-020     | 100-LD-020 DAILY SERVICE             | 20170823 CAT R2900G DAILY SERVICE TUESDAY         | 20170829 |
| 100-LD-020     | 100-LD-020 DAILY SERVICE             | 20170823 CAT R2900G DAILY SERVICE SUNDAY          | 20170827 |
| 100-LD-020     | 100-LD-020 DAILY SERVICE             | 20170823 CAT R2900G DAILY SERVICE FRIDAY          | 20170825 |
| 100-LD-020     | 100-LD-020 DAILY SERVICE             | 20170823 CAT R2900G DAILY SERVICE SATURDAY        | 20170826 |
| 100-LD-020     | 100-LD-020 DAILY SERVICE             | 20170823 CAT R2900G DAILY SERVICE MONDAY          | 20170828 |
| 100-LD-020     | 100-LD-020 DAILY SERVICE             | 20170823 CAT R2900G DAILY SERVICE WEDNESDAY       | 20170911 |
| 100-LD-020     | 100-LD-020 DAILY SERVICE             | 20170823 CAT R2900G DAILY SERVICE THURSDAY        | 20170824 |
| 100-LD-020     | 100-LD-020 DAILY SERVICE             | 20170816 CAT R2900G DAILY SERVICE SUNDAY          | 20170821 |
| 100-LD-020     | 100-LD-020 DAILY SERVICE             | 20170816 CAT R2900G DAILY SERVICE TUESDAY         | 0        |
| 100-LD-020     | 100-LD-020 DAILY SERVICE             | 20170816 CAT R2900G DAILY SERVICE WEDNESDAY       | 20170828 |
| 100-LD-020     | 100-LD-020 DAILY SERVICE             | 20170816 CAT R2900G DAILY SERVICE FRIDAY          | 0        |
| 100-LD-020     | 100-LD-020 DAILY SERVICE             | 20170816 CAT R2900G DAILY SERVICE SATURDAY        | 0        |
| 100-LD-020     | 100-LD-020 DAILY SERVICE             | 20170816 CAT R2900G DAILY SERVICE MONDAY          | 20170822 |
| 100-LD-020     | 100-LD-020 DAILY SERVICE             | 20170816 CAT R2900G DAILY SERVICE THURSDAY        | 20170818 |
| 100-LD-020     | 100-LD-020 DAILY SERVICE             | 20170809 CAT R2900G DAILY SERVICE WEDNESDAY       | 20170828 |
| 100-LD-020     | 100-LD-020 DAILY SERVICE             | 20170809 CAT R2900G DAILY SERVICE TUESDAY         | 20170815 |
| 100-LD-020     | 100-LD-020 DAILY SERVICE             | 20170809 CAT R2900G DAILY SERVICE SUNDAY          | 20170813 |
| 100-LD-020     | 100-LD-020 DAILY SERVICE             | 20170809 CAT R2900G DAILY SERVICE FRIDAY          | 0        |
| 100-LD-020     | 100-LD-020 DAILY SERVICE             | 20170809 CAT R2900G DAILY SERVICE SATURDAY        | 20170814 |
| 100-LD-020     | 100-LD-020 DAILY SERVICE             | 20170809 CAT R2900G DAILY SERVICE MONDAY          | 20170814 |
| 100-LD-020     | 100-LD-020 DAILY SERVICE             | 20170809 CAT R2900G DAILY SERVICE THURSDAY        | 0        |
| 100-LD-020-ELC | REPLACE U/S FRONT LIGHTS             | 20170805 REPLACE U/S FRONT LIGHTS                 | 20170808 |
| 100-LD-020     | 6 MONTHLY GAS TESTING                | 20170804 6 MONTHLY GAS TESTING PM2079             | 20170804 |
| 100-LD-020     | 100-LD-020 DAILY SERVICE             | 20170803 CAT R2900G DAILY SERVICE FRIDAY          | 0        |
| 100-LD-020     | 100-LD-020 DAILY SERVICE             | 20170803 CAT R2900G DAILY SERVICE SATURDAY        | 20170805 |
| 100-LD-020     | 100-LD-020 DAILY SERVICE             | 20170803 CAT R2900G DAILY SERVICE SUNDAY          | 0        |
| 100-LD-020     | 100-LD-020 DAILY SERVICE             | 20170803 CAT R2900G DAILY SERVICE TUESDAY         | 0        |
| 100-LD-020     | 100-LD-020 DAILY SERVICE             | 20170803 CAT R2900G DAILY SERVICE MONDAY          | 0        |
| 100-LD-020     | 100-LD-020 DAILY SERVICE             | 20170803 CAT R2900G DAILY SERVICE WEDNESDAY Not   | 0        |
| 100-LD-020     | 100-LD-020 DAILY SERVICE             | 20170803 CAT R2900G DAILY SERVICE THURSDAY        | 20170803 |
| 100-LD-020     | repairs to loader as required        | 20170731 repairs to loader as required            | 20170731 |
| 100-LD-020     | repair crack in bucket               | 20170727 repair crack in bucket                   | 20170727 |
| 100-LD-020-ENG | REPAIR OIL WEEP ON ENGINE            | 20170727 REPAIR OIL WEEP ON ENGINE                | 20170802 |
| 100-LD-020     | 100-LD-020 DAILY SERVICE             | 20170726 CAT R2900G DAILY SERVICE FRIDAY Out Turb | 0        |
| 100-LD-020     | 100-LD-020 DAILY SERVICE             | 20170726 CAT R2900G DAILY SERVICE SATURDAY Out Tu | 0        |
| 100-LD-020     | 100-LD-020 DAILY SERVICE             | 20170726 CAT R2900G DAILY SERVICE MONDAY Turbo    | 0        |
| 100-LD-020     | 100-LD-020 DAILY SERVICE             | 20170726 CAT R2900G DAILY SERVICE TUESDAY         | 20170802 |
| 100-LD-020     | 100-LD-020 DAILY SERVICE             | 20170726 CAT R2900G DAILY SERVICE WEDNESDAY       | 20170727 |
| 100-LD-020     | 100-LD-020 DAILY SERVICE             | 20170726 CAT R2900G DAILY SERVICE SUNDAY Out Turb | 0        |
| 100-LD-020     | 100-LD-020 DAILY SERVICE             | 20170726 CAT R2900G DAILY SERVICE THURSDAY (Out R | 0        |
| 100-LD-020-ELC | Check axle temp switches/connections | 20170725 Check axle temp switches/connections     | 20170726 |
| 100-LD-020-ELC | Check fuel gauge accuracy            | 20170725 Check fuel gauge accuracy                | 20170726 |
| 100-LD-020-ELC | Check joystick horn button           | 20170725 Check joystick horn button               | 20170726 |
| 100-LD-020     | 100-LD-020 DAILY SERVICE             | 20170719 CAT R2900G DAILY SERVICE WEDNESDAY       | 20170727 |
| 100-LD-020     | 100-LD-020 DAILY SERVICE             | 20170719 CAT R2900G DAILY SERVICE TUESDAY         | 20170725 |
| 100-LD-020     | 100-LD-020 DAILY SERVICE             | 20170719 CAT R2900G DAILY SERVICE SATURDAY        | 20170723 |
| 100-LD-020     | 100-LD-020 DAILY SERVICE             | 20170719 CAT R2900G DAILY SERVICE FRIDAY          | 20170721 |



|                |   |  |          |
|----------------|---|--|----------|
| 100-LD-020     | 100-LD-020 DAILY SERVICE                  | 20170719 CAT R2900G DAILY SERVICE MONDAY           | 0        |
| 100-LD-020     | 100-LD-020 DAILY SERVICE                  | 20170719 CAT R2900G DAILY SERVICE THURSDAY         | 20170720 |
| 100-LD-020     | 100-LD-020 DAILY SERVICE                  | 20170719 CAT R2900G DAILY SERVICE SUNDAY           | 20170723 |
| 100-LD-020     | REPLACE POS 3 TYRE                        | 20170717 REPLACE POS 3 TYRE                        | 20170718 |
| 100-LD-020     | 250HR CAT LOADER SERVICE                  | 20170717 250HR R2900G MECH SERVICE                 | 20170717 |
| 100-LD-020-ELC | Install 2x cameras onto loader            | 20170717 Install 2x cameras onto loader            | 20170717 |
| 100-LD-020-STR | replace operators seat                    | 20170715 replace operators seat                    | 20170715 |
| 100-LD-020     | 100-LD-020 DAILY SERVICE                  | 20170712 CAT R2900G DAILY SERVICE SUNDAY           | 0        |
| 100-LD-020     | 100-LD-020 DAILY SERVICE                  | 20170712 CAT R2900G DAILY SERVICE TUESDAY          | 20170719 |
| 100-LD-020     | 100-LD-020 DAILY SERVICE                  | 20170712 CAT R2900G DAILY SERVICE WEDNESDAY        | 20170713 |
| 100-LD-020     | 100-LD-020 DAILY SERVICE                  | 20170712 CAT R2900G DAILY SERVICE MONDAY           | 0        |
| 100-LD-020     | 100-LD-020 DAILY SERVICE                  | 20170712 CAT R2900G DAILY SERVICE FRIDAY           | 20170715 |
| 100-LD-020     | 100-LD-020 DAILY SERVICE                  | 20170712 CAT R2900G DAILY SERVICE SATURDAY         | 20170716 |
| 100-LD-020     | 100-LD-020 DAILY SERVICE                  | 20170712 CAT R2900G DAILY SERVICE THURSDAY         | 20170714 |
| 100-LD-020-ENG | WESTRAC TO FLASH ECMS W/ LATEST SOFTWARE  | 20170712 WESTRAC - FLASH ECMS W/ LATEST SOFTWARE   | 20170713 |
| 100-LD-020-STR | retensioned rh boom pin r&r grease line   | 20170710 retensioned rh boom pin r&r grease line   | 20170710 |
| 100-LD-020-HYD | LEKING HOSE                               | 20170709 LEKING HOSE                               | 20170709 |
| 100-LD-020     | 100-LD-020 DAILY SERVICE                  | 20170706 CAT R2900G DAILY SERVICE TUESDAY          | 20170712 |
| 100-LD-020     | 100-LD-020 DAILY SERVICE                  | 20170706 CAT R2900G DAILY SERVICE SUNDAY           | 20170710 |
| 100-LD-020     | 100-LD-020 DAILY SERVICE                  | 20170706 CAT R2900G DAILY SERVICE FRIDAY           | 20170709 |
| 100-LD-020     | 100-LD-020 DAILY SERVICE                  | 20170706 CAT R2900G DAILY SERVICE SATURDAY         | 20170709 |
| 100-LD-020     | 100-LD-020 DAILY SERVICE                  | 20170706 CAT R2900G DAILY SERVICE MONDAY           | 20170710 |
| 100-LD-020     | 100-LD-020 DAILY SERVICE                  | 20170706 CAT R2900G DAILY SERVICE WEDNESDAY        | 0        |
| 100-LD-020     | 100-LD-020 DAILY SERVICE                  | 20170706 CAT R2900G DAILY SERVICE THURSDAY         | 20170706 |
| 100-LD-020-DRV | tension wheels                            | 20170703 tension wheels                            | 20170703 |
| 100-LD-020-ELC | not starting @ 64 level                   | 20170702 not starting @ 64 level                   | 20170704 |
| 100-LD-020-ELC | Refitt front camera mount & find joystick | 20170701 Refitt front camera mount & find joystick | 20170702 |
| 100-LD-020     | 100-LD-020 DAILY SERVICE                  | 20170628 CAT R2900G DAILY SERVICE SUNDAY           | 20170702 |
| 100-LD-020     | 100-LD-020 DAILY SERVICE                  | 20170628 CAT R2900G DAILY SERVICE TUESDAY          | 0        |
| 100-LD-020     | 100-LD-020 DAILY SERVICE                  | 20170628 CAT R2900G DAILY SERVICE FRIDAY           | 0        |
| 100-LD-020     | 100-LD-020 DAILY SERVICE                  | 20170628 CAT R2900G DAILY SERVICE SATURDAY         | 20170702 |
| 100-LD-020     | 100-LD-020 DAILY SERVICE                  | 20170628 CAT R2900G DAILY SERVICE MONDAY           | 0        |
| 100-LD-020     | 100-LD-020 DAILY SERVICE                  | 20170628 CAT R2900G DAILY SERVICE WEDNESDAY        | 20170705 |
| 100-LD-020     | 100-LD-020 DAILY SERVICE                  | 20170628 CAT R2900G DAILY SERVICE THURSDAY         | 0        |
| 100-LD-020-ELC | repair fault with a/c not cool            | 20170628 repair fault with a/c not cool            | 20170628 |
| 100-LD-020-ENG | INSPECT OIL LEAK FROM ROCKER BOX          | 20170628 INSPECT / REPORT OIL LEAK - ROCKER BOX    | 20170629 |
| 100-LD-020-DRV | AXEL COOLING PUMP U/S                     | 20170626 AXEL COOLING PUMP U/S                     | 20170627 |
| 100-LD-020-ELC | Replace U/S video aerial wiring loom      | 20170625 Replace U/S video aerial wiring loom      | 20170627 |
| 100-LD-020-DRV | BRAKE FAULT                               | 20170624 BRAKE FAULT                               | 20170628 |
| 100-LD-020-STR | replace all bucket teeth on loader        | 20170624 replace all bucket teeth on loader        | 20170624 |
| 100-LD-020-STR | LOOSE BOOM PIN                            | 20170623 LOOSE BOOM PIN                            | 20170624 |
| 100-LD-020     | 100-LD-020 DAILY SERVICE                  | 20170621 CAT R2900G DAILY SERVICE FRIDAY           | 20170624 |
| 100-LD-020     | 100-LD-020 DAILY SERVICE                  | 20170621 CAT R2900G DAILY SERVICE SUNDAY           | 0        |
| 100-LD-020     | 100-LD-020 DAILY SERVICE                  | 20170621 CAT R2900G DAILY SERVICE WEDNESDAY        | 0        |
| 100-LD-020     | 100-LD-020 DAILY SERVICE                  | 20170621 CAT R2900G DAILY SERVICE TUESDAY          | 20170628 |
| 100-LD-020     | 100-LD-020 DAILY SERVICE                  | 20170621 CAT R2900G DAILY SERVICE SATURDAY         | 0        |
| 100-LD-020     | 100-LD-020 DAILY SERVICE                  | 20170621 CAT R2900G DAILY SERVICE MONDAY           | 0        |
| 100-LD-020     | 100-LD-020 DAILY SERVICE                  | 20170621 CAT R2900G DAILY SERVICE THURSDAY         | 20170623 |
| 100-LD-020-ELC | PRE-REBUILD CHECKS: LINE OF SITE REMOTES  | 20170618 PRE-REBUILD CHECKS: LINE OF SITE REMOTES  | 20170716 |
| 100-LD-020     | 100-LD-020 DAILY SERVICE                  | 20170615 CAT R2900G DAILY SERVICE THURSDAY         | 20170616 |
| 100-LD-020     | 100-LD-020 DAILY SERVICE                  | 20170615 CAT R2900G DAILY SERVICE WEDNESDAY        | 0        |
| 100-LD-020     | 100-LD-020 DAILY SERVICE                  | 20170615 CAT R2900G DAILY SERVICE TUESDAY          | 20170620 |
| 100-LD-020     | 100-LD-020 DAILY SERVICE                  | 20170615 CAT R2900G DAILY SERVICE FRIDAY           | 20170617 |
| 100-LD-020     | 100-LD-020 DAILY SERVICE                  | 20170615 CAT R2900G DAILY SERVICE MONDAY           | 20170620 |
| 100-LD-020     | 100-LD-020 DAILY SERVICE                  | 20170615 CAT R2900G DAILY SERVICE SATURDAY         | 20170619 |
| 100-LD-020     | 100-LD-020 DAILY SERVICE                  | 20170615 CAT R2900G DAILY SERVICE SUNDAY           | 20170619 |
| 100-LD-020-ELC | Losing Dash Power                         | 20170610 Losing Dash Power                         | 20170613 |
| 100-LD-020     | 100-LD-020 DAILY SERVICE                  | 20170609 CAT R2900G DAILY SERVICE SUNDAY           | 20170613 |
| 100-LD-020     | 100-LD-020 DAILY SERVICE                  | 20170609 CAT R2900G DAILY SERVICE TUESDAY          | 20170614 |
| 100-LD-020     | 100-LD-020 DAILY SERVICE                  | 20170609 CAT R2900G DAILY SERVICE WEDNESDAY        | 0        |
| 100-LD-020     | 100-LD-020 DAILY SERVICE                  | 20170609 CAT R2900G DAILY SERVICE THURSDAY         | 0        |
| 100-LD-020     | 100-LD-020 DAILY SERVICE                  | 20170609 CAT R2900G DAILY SERVICE FRIDAY           | 20170610 |
| 100-LD-020     | 100-LD-020 DAILY SERVICE                  | 20170609 CAT R2900G DAILY SERVICE SATURDAY         | 20170611 |
| 100-LD-020     | 100-LD-020 DAILY SERVICE                  | 20170609 CAT R2900G DAILY SERVICE MONDAY           | 20170613 |
| 100-LD-020-DRV | pos 3 planetary leaking past orings       | 20170603 pos 3 planetary leaking past orings       | 20170605 |
| 100-LD-020-ENG | A/C not cold                              | 20170603 A/C not cold                              | 20170606 |
| 100-LD-020     | 100-LD-020 DAILY SERVICE                  | 20170531 CAT R2900G DAILY SERVICE SUNDAY           | 0        |
| 100-LD-020     | 100-LD-020 DAILY SERVICE                  | 20170531 CAT R2900G DAILY SERVICE TUESDAY          | 0        |
| 100-LD-020     | 100-LD-020 DAILY SERVICE                  | 20170531 CAT R2900G DAILY SERVICE THURSDAY         | 0        |

|                |                                    |  |          |
|----------------|------------------------------------|--|----------|
| 100-LD-020     | 100-LD-020 DAILY SERVICE           | 20170531 CAT R2900G DAILY SERVICE WEDNESDAY      | 20170606 |
| 100-LD-020     | 100-LD-020 DAILY SERVICE           | 20170531 CAT R2900G DAILY SERVICE FRIDAY         | 20170606 |
| 100-LD-020     | 100-LD-020 DAILY SERVICE           | 20170531 CAT R2900G DAILY SERVICE SATURDAY       | 20170605 |
| 100-LD-020     | 100-LD-020 DAILY SERVICE           | 20170531 CAT R2900G DAILY SERVICE MONDAY         | 0        |
| 100-LD-020     | 1000HR CAT LOADER SERVICE          | 20170530 1000HR CAT R2900G MECH SERVICE          | 20170530 |
| 100-LD-020-ENG | REPLACE COOLER PACK ASSEMBLY       | 20170530 REPLACE COOLER PACK ASSEMBLY            | 20170602 |
| 100-LD-020-ELC | LOADER WONT START                  | 20170525 LOADER WONT START                       | 20170525 |
| 100-LD-020     | 100-LD-020 DAILY SERVICE           | 20170524 CAT R2900G DAILY SERVICE FRIDAY         | 0        |
| 100-LD-020     | 100-LD-020 DAILY SERVICE           | 20170524 CAT R2900G DAILY SERVICE MONDAY         | 20170530 |
| 100-LD-020     | 100-LD-020 DAILY SERVICE           | 20170524 CAT R2900G DAILY SERVICE WEDNESDAY      | 20170526 |
| 100-LD-020     | 100-LD-020 DAILY SERVICE           | 20170524 CAT R2900G DAILY SERVICE SATURDAY       | 20170528 |
| 100-LD-020     | 100-LD-020 DAILY SERVICE           | 20170524 CAT R2900G DAILY SERVICE SUNDAY         | 20170529 |
| 100-LD-020     | 100-LD-020 DAILY SERVICE           | 20170524 CAT R2900G DAILY SERVICE TUESDAY        | 20170531 |
| 100-LD-020     | 100-LD-020 DAILY SERVICE           | 20170524 CAT R2900G DAILY SERVICE THURSDAY       | 20170525 |
| 100-LD-020-ELC | replace alternator                 | 20170524 replace alternator                      | 20170524 |
| 100-LD-020-ENG | a/c pipe u/s                       | 20170523 a/c pipe u/s                            | 20170525 |
| 100-LD-020-ENG | LOW COOLANT                        | 20170522 LOW COOLANT                             | 20170522 |
| 100-LD-020-ENG | A/C HOT                            | 20170520 A/C HOT                                 | 20170521 |
| 100-LD-020-ELC | repair front camera loom           | 20170519 repair front camera loom                | 20170531 |
| 100-LD-020-HYD | blown tilt hose                    | 20170519 blown tilt hose                         | 20170519 |
| 100-LD-020     | 100-LD-020 DAILY SERVICE           | 20170517 CAT R2900G DAILY SERVICE FRIDAY         | 0        |
| 100-LD-020     | 100-LD-020 DAILY SERVICE           | 20170517 CAT R2900G DAILY SERVICE SATURDAY       | 20170521 |
| 100-LD-020     | 100-LD-020 DAILY SERVICE           | 20170517 CAT R2900G DAILY SERVICE MONDAY         | 20170523 |
| 100-LD-020     | 100-LD-020 DAILY SERVICE           | 20170517 CAT R2900G DAILY SERVICE WEDNESDAY      | 20170602 |
| 100-LD-020     | 100-LD-020 DAILY SERVICE           | 20170517 CAT R2900G DAILY SERVICE TUESDAY        | 20170524 |
| 100-LD-020     | 100-LD-020 DAILY SERVICE           | 20170517 CAT R2900G DAILY SERVICE SUNDAY         | 0        |
| 100-LD-020     | 100-LD-020 DAILY SERVICE           | 20170517 CAT R2900G DAILY SERVICE THURSDAY       | 20170519 |
| 100-LD-020-ENG | COOLANT LEAK                       | 20170517 COOLANT LEAK                            | 20170517 |
| 100-LD-020-STR | R/H CORNER TEETH SNAPPED           | 20170517 R/H CORNER TEETH SNAPPED                | 20170517 |
| 100-LD-020-DRV | AXLE LIGHT COMMING ON              | 20170516 AXLE LIGHT COMMING ON                   | 20170516 |
| 100-LD-020-ELC | Repair front camera                | 20170515 Repair front camera                     | 20170517 |
| 100-LD-020-ELC | repair power to seat in cabin      | 20170513 repair power to seat in cabin           | 20170513 |
| 100-LD-020-HYD | REPLACE STEERING NEUTRALIZER       | 20170512 REPLACE STEERING NEUTRALIZER            | 20170512 |
| 100-LD-020     | 100-LD-020 DAILY SERVICE           | 20170511 CAT R2900G DAILY SERVICE FRIDAY         | 20170512 |
| 100-LD-020     | 100-LD-020 DAILY SERVICE           | 20170511 CAT R2900G DAILY SERVICE SATURDAY       | 20170513 |
| 100-LD-020     | 100-LD-020 DAILY SERVICE           | 20170511 CAT R2900G DAILY SERVICE MONDAY         | 20170515 |
| 100-LD-020     | 100-LD-020 DAILY SERVICE           | 20170511 CAT R2900G DAILY SERVICE WEDNESDAY      | 0        |
| 100-LD-020     | 100-LD-020 DAILY SERVICE           | 20170511 CAT R2900G DAILY SERVICE THURSDAY       | 20170511 |
| 100-LD-020     | 100-LD-020 DAILY SERVICE           | 20170511 CAT R2900G DAILY SERVICE TUESDAY        | 20170516 |
| 100-LD-020     | 100-LD-020 DAILY SERVICE           | 20170511 CAT R2900G DAILY SERVICE SUNDAY         | 0        |
| 100-LD-020-STR | REPLACE 2 BROKEN GREASE LINES      | 20170511 REPLACE 2 BROKEN GREASE LINES           | 20170511 |
| 100-LD-020-STR | repair broken grease fittings      | 20170510 repair broken grease fittings           | 20170510 |
| 100-LD-020     | 100-LD-020 DAILY SERVICE           | 20170506 CAT R2900G DAILY SERVICE TUESDAY        | 20170510 |
| 100-LD-020     | 100-LD-020 DAILY SERVICE           | 20170506 CAT R2900G DAILY SERVICE FRIDAY NOT USE | 0        |
| 100-LD-020     | 100-LD-020 DAILY SERVICE           | 20170506 CAT R2900G DAILY SERVICE SATURDAY       | 20170507 |
| 100-LD-020     | 100-LD-020 DAILY SERVICE           | 20170506 CAT R2900G DAILY SERVICE MONDAY         | 20170509 |
| 100-LD-020     | 100-LD-020 DAILY SERVICE           | 20170506 CAT R2900G DAILY SERVICE WEDNESDAY.     | 0        |
| 100-LD-020     | 100-LD-020 DAILY SERVICE           | 20170506 CAT R2900G DAILY SERVICE THURSDAY       | 0        |
| 100-LD-020     | 100-LD-020 DAILY SERVICE           | 20170506 CAT R2900G DAILY SERVICE SUNDAY         | 20170509 |
| 100-LD-020-STR | REPAIR GREAS TUBE                  | 20170504 REPAIR GREAS TUBE                       | 20170504 |
| 100-LD-020     | 250HR CAT LOADER SERVICE           | 20170503 250HR R2900G MECH SERVICE               | 20170506 |
| 100-LD-020     | 500HR CAT R2900G EMISSIONS TESTING | 20170503 500HR CAT R2900G EMISSIONS TESTING      | 20170510 |
| 100-LD-020-STR | boom pin coming loose              | 20170502 boom pin coming loose                   | 20170505 |
| 100-LD-020     | 100-LD-020 DAILY SERVICE           | 20170426 CAT R2900G DAILY SERVICE THURSDAY       | 20170428 |
| 100-LD-020     | 100-LD-020 DAILY SERVICE           | 20170426 CAT R2900G DAILY SERVICE FRIDAY         | 0        |
| 100-LD-020     | 100-LD-020 DAILY SERVICE           | 20170426 CAT R2900G DAILY SERVICE SATURDAY       | 0        |
| 100-LD-020     | 100-LD-020 DAILY SERVICE           | 20170426 CAT R2900G DAILY SERVICE TUESDAY        | 0        |
| 100-LD-020     | 100-LD-020 DAILY SERVICE           | 20170426 CAT R2900G DAILY SERVICE SUNDAY         | 20170501 |
| 100-LD-020     | 100-LD-020 DAILY SERVICE           | 20170426 CAT R2900G DAILY SERVICE WEDNESDAY      | 20170503 |
| 100-LD-020     | 100-LD-020 DAILY SERVICE           | 20170426 CAT R2900G DAILY SERVICE MONDAY         | 20170502 |
| 100-LD-020-HYD | Repairs to tilt and lift circuits  | 20170425 Repairs to tilt and lift circuits       | 20170425 |
| 100-LD-020     | LOADER REMOTE CONTROL SERVICE      | 20170422 3 MTHLY LOADER REMOTE ELEC SERVICE      | 20170507 |
| 100-LD-020     | 100-LD-020 DAILY SERVICE           | 20170421 CAT R2900G DAILY SERVICE SATURDAY       | 0        |
| 100-LD-020     | 100-LD-020 DAILY SERVICE           | 20170421 CAT R2900G DAILY SERVICE FRIDAY         | 20170423 |
| 100-LD-020     | 100-LD-020 DAILY SERVICE           | 20170421 CAT R2900G DAILY SERVICE MONDAY         | 0        |
| 100-LD-020     | 100-LD-020 DAILY SERVICE           | 20170421 CAT R2900G DAILY SERVICE WEDNESDAY      | 0        |
| 100-LD-020     | 100-LD-020 DAILY SERVICE           | 20170421 CAT R2900G DAILY SERVICE TUESDAY        | 20170426 |
| 100-LD-020     | 100-LD-020 DAILY SERVICE           | 20170421 CAT R2900G DAILY SERVICE SUNDAY         | 0        |
| 100-LD-020     | 100-LD-020 DAILY SERVICE           | 20170421 CAT R2900G DAILY SERVICE THURSDAY       | 0        |

|                |  |          |  |          |
|----------------|--|----------|--|----------|
| 100-LD-020-ENG | repair exhaust                           | 20170421 | repair exhaust                           | 20170421 |
| 100-LD-020-DRV | INSPECT WHEELEND SUN GEAR SERIAL NUMBER  | 20170414 | INSPECT WHEELEND SUN GEAR SERIAL NUMBER  | 20170416 |
| 100-LD-020-HYD | REPLACE BOTH LIFT CYLINDERS              | 20170414 | REPLACE BOTH LIFT CYLINDERS              | 20170414 |
| 100-LD-020     | replace front camera on loader 20 and re | 20170412 | replace front camera on loader 20 and re | 20170413 |
| 100-LD-020     | 100-LD-020 DAILY SERVICE                 | 20170412 | CAT R2900G DAILY SERVICE WEDNESDAY       | 20170416 |
| 100-LD-020     | 100-LD-020 DAILY SERVICE                 | 20170412 | CAT R2900G DAILY SERVICE THURSDAY        | 20170416 |
| 100-LD-020     | 100-LD-020 DAILY SERVICE                 | 20170412 | CAT R2900G DAILY SERVICE FRIDAY          | 20170416 |
| 100-LD-020     | 100-LD-020 DAILY SERVICE                 | 20170412 | CAT R2900G DAILY SERVICE SATURDAY        | 20170416 |
| 100-LD-020     | 100-LD-020 DAILY SERVICE                 | 20170412 | CAT R2900G DAILY SERVICE MONDAY          | 0        |
| 100-LD-020     | 100-LD-020 DAILY SERVICE                 | 20170412 | CAT R2900G DAILY SERVICE SUNDAY          | 0        |
| 100-LD-020     | 100-LD-020 DAILY SERVICE                 | 20170412 | CAT R2900G DAILY SERVICE TUESDAY         | 0        |
| 100-LD-020-ELC | front camera not working                 | 20170410 | front camera not working                 | 20170411 |
| 100-LD-020-ELC | charge fault                             | 20170410 | Charge fault                             | 20170410 |
| 100-LD-020-ELC | Fan motor u/s                            | 20170410 | Fan motor u/s                            | 20170410 |
| 100-LD-020-STR | Boom collet cracked                      | 20170409 | Boom collet cracked                      | 20170409 |
| 100-LD-020-STR | TENSION BOOM PIN                         | 20170407 | TENSION BOOM PIN                         | 20170427 |
| 100-LD-020     | 100-LD-020 DAILY SERVICE                 | 20170405 | CAT R2900G DAILY SERVICE MONDAY          | 0        |
| 100-LD-020     | 100-LD-020 DAILY SERVICE                 | 20170405 | CAT R2900G DAILY SERVICE WEDNESDAY       | 20170411 |
| 100-LD-020     | 100-LD-020 DAILY SERVICE                 | 20170405 | CAT R2900G DAILY SERVICE FRIDAY          | 20170408 |
| 100-LD-020     | 100-LD-020 DAILY SERVICE                 | 20170405 | CAT R2900G DAILY SERVICE SATURDAY        | 0        |
| 100-LD-020     | 100-LD-020 DAILY SERVICE                 | 20170405 | CAT R2900G DAILY SERVICE SUNDAY          | 0        |
| 100-LD-020     | 100-LD-020 DAILY SERVICE                 | 20170405 | CAT R2900G DAILY SERVICE TUESDAY         | 0        |
| 100-LD-020     | 100-LD-020 DAILY SERVICE                 | 20170405 | CAT R2900G DAILY SERVICE THURSDAY        | 20170406 |
| 100-LD-020-HYD | BLOWN TILT CYL HOSE                      | 20170403 | BLOWN TILT CYL HOSE                      | 20170407 |
| 100-LD-020     | Adjust remote camera                     | 20170329 | Adjust remote camera                     | 20170329 |
| 100-LD-020     | 100-LD-020 DAILY SERVICE                 | 20170329 | CAT R2900G DAILY SERVICE WEDNESDAY       | 20170403 |
| 100-LD-020     | 100-LD-020 DAILY SERVICE                 | 20170329 | CAT R2900G DAILY SERVICE TUESDAY         | 0        |
| 100-LD-020     | 100-LD-020 DAILY SERVICE                 | 20170329 | CAT R2900G DAILY SERVICE SUNDAY          | 20170403 |
| 100-LD-020     | 100-LD-020 DAILY SERVICE                 | 20170329 | CAT R2900G DAILY SERVICE FRIDAY          | 20170401 |
| 100-LD-020     | 100-LD-020 DAILY SERVICE                 | 20170329 | CAT R2900G DAILY SERVICE SATURDAY        | 20170402 |
| 100-LD-020     | 100-LD-020 DAILY SERVICE                 | 20170329 | CAT R2900G DAILY SERVICE MONDAY          | 0        |
| 100-LD-020     | 100-LD-020 DAILY SERVICE                 | 20170329 | CAT R2900G DAILY SERVICE THURSDAY        | 20170331 |
| 100-LD-020     | Deadman switch fault on remotes          | 20170329 | Deadman switch fault on remotes          | 20170329 |
| 100-LD-020-HYD | NO STEERING TO RIGHT HAND SIDE           | 20170326 | NO STEERING TO RIGHT HAND SIDE           | 20170326 |
| 100-LD-020-ENG | INVESTIGATE EXHAUST EMISSIONS TREATMENT  | 20170325 | RECORD AND REPORT THE MAKE AND MODEL OF  | 20170326 |
| 100-LD-020     | 100-LD-020 DAILY SERVICE                 | 20170323 | CAT R2900G DAILY SERVICE SUNDAY          | 0        |
| 100-LD-020     | 100-LD-020 DAILY SERVICE                 | 20170323 | CAT R2900G DAILY SERVICE TUESDAY         | 0        |
| 100-LD-020     | 100-LD-020 DAILY SERVICE                 | 20170323 | CAT R2900G DAILY SERVICE FRIDAY          | 0        |
| 100-LD-020     | 100-LD-020 DAILY SERVICE                 | 20170323 | CAT R2900G DAILY SERVICE SATURDAY        | 0        |
| 100-LD-020     | 100-LD-020 DAILY SERVICE                 | 20170323 | CAT R2900G DAILY SERVICE MONDAY          | 0        |
| 100-LD-020     | 100-LD-020 DAILY SERVICE                 | 20170323 | CAT R2900G DAILY SERVICE WEDNESDAY       | 0        |
| 100-LD-020     | 100-LD-020 DAILY SERVICE                 | 20170323 | CAT R2900G DAILY SERVICE THURSDAY        | 20170324 |
| 100-LD-020     | 500HR CAT LOADER SERVICE                 | 20170321 | 500HR CAT R2900G MECH SERVICE            | 20170321 |
| 100-LD-020     | TRANSMISSION U/S - 2nd GEAR SLIPPING     | 20170320 | PJL - LABOUR FOR LIAM CLARKE - 21346     | 0        |
| 100-LD-020     | TRANSMISSION U/S - 2nd GEAR SLIPPING     | 20170320 | WESTRAC - PEX TRANSMISSION PX43784       | 0        |
| 100-LD-020     | TRANSMISSION U/S - 2nd GEAR SLIPPING     | 20170320 | TRANSMISSION U/S - 2nd GEAR SLIPPING     | 20170324 |
| 100-LD-020-STR | Replace GET                              | 20170320 | Replace GET                              | 20170320 |
| 100-LD-020     | 100-LD-020 DAILY SERVICE                 | 20170315 | CAT R2900G DAILY SERVICE MONDAY          | 0        |
| 100-LD-020     | 100-LD-020 DAILY SERVICE                 | 20170315 | CAT R2900G DAILY SERVICE FRIDAY          | 20170407 |
| 100-LD-020     | 100-LD-020 DAILY SERVICE                 | 20170315 | CAT R2900G DAILY SERVICE TUESDAY         | 0        |
| 100-LD-020     | 100-LD-020 DAILY SERVICE                 | 20170315 | CAT R2900G DAILY SERVICE WEDNESDAY       | 20170318 |
| 100-LD-020     | 100-LD-020 DAILY SERVICE                 | 20170315 | CAT R2900G DAILY SERVICE THURSDAY        | 0        |
| 100-LD-020     | 100-LD-020 DAILY SERVICE                 | 20170315 | CAT R2900G DAILY SERVICE SATURDAY        | 20170320 |
| 100-LD-020     | 100-LD-020 DAILY SERVICE                 | 20170315 | CAT R2900G DAILY SERVICE SUNDAY          | 20170320 |
| 100-LD-020-ENG | exhaust leak                             | 20170313 | exhaust leak                             | 20170313 |
| 100-LD-020     | 100-LD-020 DAILY SERVICE                 | 20170308 | CAT R2900G DAILY SERVICE SUNDAY          | 0        |
| 100-LD-020     | 100-LD-020 DAILY SERVICE                 | 20170308 | CAT R2900G DAILY SERVICE TUESDAY         | 0        |
| 100-LD-020     | 100-LD-020 DAILY SERVICE                 | 20170308 | CAT R2900G DAILY SERVICE WEDNESDAY       | 20170313 |
| 100-LD-020     | 100-LD-020 DAILY SERVICE                 | 20170308 | CAT R2900G DAILY SERVICE FRIDAY          | 0        |
| 100-LD-020     | 100-LD-020 DAILY SERVICE                 | 20170308 | CAT R2900G DAILY SERVICE SATURDAY        | 0        |
| 100-LD-020     | 100-LD-020 DAILY SERVICE                 | 20170308 | CAT R2900G DAILY SERVICE MONDAY          | 0        |
| 100-LD-020     | 100-LD-020 DAILY SERVICE                 | 20170308 | CAT R2900G DAILY SERVICE THURSDAY        | 0        |
| 100-LD-020-HYD | R&R blown steering hoses rhs             | 20170305 | R&R blown steering hoses rhs             | 20170305 |
| 100-LD-020     | 100-LD-020 DAILY SERVICE                 | 20170301 | CAT R2900G DAILY SERVICE                 | 20170308 |
| 100-LD-020-ELC | test remotes at 8790L                    | 20170227 | test remotes at 8790L                    | 20170227 |
| 100-LD-020     | REPAIRS                                  | 20170226 | REPAIRS                                  | 20170228 |
| 100-LD-020     | REPAIRS                                  | 20170226 | WESTRAC - STRIP & ASSESS W/END SI09181   | 0        |
| 100-LD-020-DRV | REPLACE POS 1 AND POS 3                  | 20170226 | REPLACE POS 1 AND POS 3                  | 20170226 |
| 100-LD-020-HYD | oil weep in cab                          | 20170224 | oil weep in cab                          | 20170313 |

|                |  |   |          |
|----------------|--|---|----------|
| 100-LD-020-ENG | DAILY REPAIRS                            | 20170223 DAILY REPAIRS                            | 20170301 |
| 100-LD-020-HYD | STEERING NEUTRALIZER BROKEN              | 20170223 STEERING NEUTRALIZER BROKEN              | 20170228 |
| 100-LD-020     | 100-LD-020 DAILY SERVICE                 | 20170222 CAT R2900G DAILY SERVICE                 | 20170301 |
| 100-LD-020     | 100-LD-020 DAILY SERVICE                 | 20170215 CAT R2900G DAILY SERVICE                 | 20170221 |
| 100-LD-020-HYD | Hockey stick bent                        | 20170212 Hockey stick bent                        | 20170212 |
| 100-LD-020     | 100-LD-020 DAILY SERVICE                 | 20170208 CAT R2900G DAILY SERVICE                 | 20170214 |
| 100-LD-020-HYD | LIFT AND TILT CYL CREEP                  | 20170207 LIFT AND TILT CYL CREEP                  | 20170216 |
| 100-LD-020-HYD | no steering                              | 20170203 no steering                              | 20170203 |
| 100-LD-020     | 100-LD-020 DAILY SERVICE                 | 20170201 CAT R2900G DAILY SERVICE                 | 20170207 |
| 100-LD-020-HYD | Not steering                             | 20170129 Not steering                             | 20170129 |
| 100-LD-020     | 250HR CAT LOADER SERVICE                 | 20170127 250HR R2900G MECH SERVICE                | 20170127 |
| 100-LD-020-HYD | S.O.S RESULT - "B" FOR HYDRAULICS        | 20170127 S.O.S RESULT - "B" FOR HYDRAULICS        | 20170221 |
| 100-LD-020-ENG | Exhaust leak                             | 20170126 Exhaust leak                             | 20170126 |
| 100-LD-020     | 100-LD-020 DAILY SERVICE                 | 20170125 CAT R2900G DAILY SERVICE                 | 20170201 |
| 100-LD-020-ELC | 80 AND 105 AMP BREAKERS TO REPLACE       | 20170124 80 AND 105 AMP BREAKERS TO REPLACE       | 20170301 |
| 100-LD-020     | dash operator reported reflector fall of | 20170123 dash operator reported reflector fall of | 20170123 |
| 100-LD-020     | loader 20 at 9350 reported no picture re | 20170123 loader 20 at 9350 reported no picture re | 20170125 |
| 100-LD-020-STR | Repair tilt cyl cover and remount hoses  | 20170122 Repair tilt cyl cover and remount hoses  | 20170122 |
| 100-LD-020-STR | replace both corner teeth                | 20170121 replace both corner teeth                | 20170121 |
| 100-LD-020-HYD | blown tilt cylinder hose                 | 20170120 blown tilt cylinder hose                 | 20170120 |
| 100-LD-020     | 100-LD-020 DAILY SERVICE                 | 20170118 CAT R2900G DAILY SERVICE                 | 20170124 |
| 100-LD-020-ELC | search for remotes and camera dramas     | 20170115 search for remotes and camera dramas     | 20170125 |
| 100-LD-020-HYD | tilt cylinder stuck back                 | 20170115 tilt cylinder stuck back                 | 20170115 |
| 100-LD-020-HYD | SNAPPED BOLTS ON LIFT CYL                | 20170114 SNAPPED BOLTS ON LIFT CYL                | 20170114 |
| 100-LD-020-DRV | loose yoke bolt                          | 20170112 loose yoke bolt                          | 20170112 |
| 100-LD-020     | 100-LD-020 DAILY SERVICE                 | 20170111 CAT R2900G DAILY SERVICE                 | 20170117 |
| 100-LD-020-STR | REPLACE BUCKET PINS / BUSHES & SHIMS     | 20170110 REPLACE BUCKET PINS / BUSHES & SHIMS     | 20170111 |
| 100-LD-020     | 100-LD-020 DAILY SERVICE                 | 20170104 CAT R2900G DAILY SERVICE                 | 20170110 |
| 100-LD-020     | replace handrail                         | 20170104 replace handrail                         | 20170104 |
| 100-LD-020     | 2000HR CAT LOADER SERVICE                | 20170103 2000HR CAT R2900G MECH SERVICE           | 20170103 |
| 100-LD-020-DRV | CENTRE DRIVELINE BEARING NEEDS REPLACING | 20170103 REPLACE CENTRE BEARING ASSEMBLY          | 20170105 |
| 100-LD-020     | EXHAUST ELBOW LOOSE                      | 20161231 EXHAUST ELBOW LOOSE                      | 20170101 |
| 100-LD-020-ELC | replace front camera on loader repair ca | 20161231 replace front camera on loader repair ca | 20161231 |
| 100-LD-020-ELC | NO CAB POWER                             | 20161231 NO CAB POWER                             | 20161231 |
| 100-LD-020-ELC | inspect camera dramas                    | 20161231 inspect camera dramas                    | 20170126 |
| 100-LD-020-HYD | STEERING NUETRALIZER U/S                 | 20161230 STEERING NUETRALIZER U/S                 | 20170101 |
| 100-LD-020     | 100-LD-020 DAILY SERVICE                 | 20161228 CAT R2900G DAILY SERVICE                 | 20170102 |
| 100-LD-020-HYD | blown hose                               | 20161228 blown hose                               | 20161230 |
| 100-LD-020-ELC | front diff cooling switch u/s            | 20161222 front diff cooling switch u/s            | 20161222 |
| 100-LD-020     | 100-LD-020 DAILY SERVICE                 | 20161221 CAT R2900G DAILY SERVICE                 | 20161226 |
| 100-LD-020     | LOADER NOT STARTING                      | 20161218 LOADER NOT STARTING                      | 20161220 |
| 100-LD-020     | DOOR SAFETY LATCH U/S                    | 20161216 DOOR SAFETY LATCH U/S                    | 20161220 |
| 100-LD-020     | A/C CUTTING IN AND OUT                   | 20161215 A/C CUTTING IN AND OUT                   | 20161220 |
| 100-LD-020     | 100-LD-020 DAILY SERVICE                 | 20161214 CAT R2900G DAILY SERVICE                 | 20161221 |
| 100-LD-020-ELC | EVAPORATOR CRACKED                       | 20161214 EVAPORATOR CRACKED                       | 20161216 |
| 100-LD-020-DRV | Diff cooling pressure hose               | 20161212 Diff cooling pressure hose               | 20161212 |
| 100-LD-020-ENG | Replace all fan belts                    | 20161212 Replace all fan belts                    | 20161213 |
| 100-LD-020     | 100-LD-020 DAILY SERVICE                 | 20161207 CAT R2900G DAILY SERVICE                 | 20161214 |
| 100-LD-020-DRV | pos 2 wheel end brake pack failed        | 20161204 P/L - LD-20 FRONT AXLE AS. - WARRANTY    | 0        |
| 100-LD-020-DRV | pos 2 wheel end brake pack failed        | 20161204 B.F.S - TRANSPORT LD-20 TO/FROM P/L      | 0        |
| 100-LD-020-DRV | pos 2 wheel end brake pack failed        | 20161204 pos 2 wheel end brake pack failed        | 20161205 |
| 100-LD-020-ELC | NO POWER TO SEAT                         | 20161201 NO POWER TO SEAT                         | 20161221 |
| 100-LD-020     | 250HR CAT LOADER SERVICE                 | 20161130 250HR R2900G MECH SERVICE                | 20161203 |
| 100-LD-020     | 100-LD-020 DAILY SERVICE                 | 20161123 CAT R2900G DAILY SERVICE                 | 20161129 |
| 100-LD-020-ELC | NO POWER                                 | 20161120 NO POWER                                 | 20161120 |
| 100-LD-020-ELC | jump start                               | 20161118 jump start                               | 20161118 |
| 100-LD-020     | 100-LD-020 DAILY SERVICE                 | 20161116 R2900/G LOADER DAILY SERVICE             | 20161123 |
| 100-LD-020     | R&R blown oring lh lift cyl              | 20161115 R&R blown oring lh lift cyl              | 20161115 |
| 100-LD-020     | P/B coming on when using brakes          | 20161115 P/B coming on when using brakes          | 20161115 |
| 100-LD-020-DRV | pos 1 wheel end failed                   | 20161115  | 0        |
| 100-LD-020-DRV | pos 1 wheel end failed                   | 20161115 pos 1 wheel end failed                   | 20161117 |
| 100-LD-020-HYD | Blown Lift Cylinder Hose RHS             | 20161114 Blown Lift Cylinder Hose RHS             | 20161114 |
| 100-LD-020-ELC | repair fault with a/c fan                | 20161113 repair fault with a/c fan                | 20161113 |
| 100-LD-020-STR | MODIFY LIGHT BRACKET & REPAIR WIRING     | 20161111 MODIFY LIGHT BRACKET & REPAIR WIRING     | 20161111 |
| 100-LD-020     | 100-LD-020 DAILY SERVICE                 | 20161109 R2900/G LOADER DAILY SERVICE             | 20161115 |
| 100-LD-020-ELC | 2 way not working                        | 20161106 2 way not working                        | 20161107 |
| 100-LD-020     | 100-LD-020 DAILY SERVICE                 | 20161102 R2900/G LOADER DAILY SERVICE             | 20161108 |
| 100-LD-020     | 500HR CAT LOADER SERVICE                 | 20161101 500HR CAT R2900G MECH SERVICE            | 20161102 |
| 100-LD-020-HYD | blown tilt cyl hose                      | 20161028 blown tilt cyl hose                      | 20161028 |

|                |  |   |          |
|----------------|--|---|----------|
| 100-LD-020     | 100-LD-020 DAILY SERVICE                 | 20161026 R2900/G LOADER DAILY SERVICE             | 20161031 |
| 100-LD-020-ENG | EXHAUST LEAK                             | 20161022 EXHAUST LEAK                             | 20161025 |
| 100-LD-020     | 100-LD-020 DAILY SERVICE                 | 20161019 R2900/G LOADER DAILY SERVICE             | 20161026 |
| 100-LD-020     | 100-LD-020 DAILY SERVICE                 | 20161012 R2900/G LOADER DAILY SERVICE             | 20161019 |
| 100-LD-020     | loader reported no comms repair and test | 20161009 loader reported no comms repair and test | 20161009 |
| 100-LD-020-DRV | replaced holed pos#4 tyre                | 20161006 replaced holed pos#4 tyre                | 20161006 |
| 100-LD-020     | 100-LD-020 DAILY SERVICE                 | 20161005 R2900/G LOADER DAILY SERVICE             | 20161017 |
| 100-LD-020-ELC | Engine not starting                      | 20161002 Engine not starting                      | 20161017 |
| 100-LD-020-ELC | 2 way Radio turning off                  | 20161002 2 way Radio turning off                  | 20161002 |
| 100-LD-020-STR | Blown grease hose boom                   | 20161002 Blown grease hose boom                   | 20161003 |
| 100-LD-020     | LOADER REMOTE CONTROL SERVICE            | 20160929 3 MTHLY LOADER REMOTE ELEC SERVICE       | 20161017 |
| 100-LD-020     | Blown tilt cylinder hose                 | 20160929 Blown tilt cylinder hose                 | 20161003 |
| 100-LD-020     | LOADER REMOTE CONTROL SERVICE            | 20160929 3 MTHLY LOADER REMOTE ELEC SERVICE       | 0        |
| 100-LD-020     | 100-LD-020 DAILY SERVICE                 | 20160928 R2900/G LOADER DAILY SERVICE             | 20161004 |
| 100-LD-020-HYD | replace rhs lift cylinder pipe           | 20160927 replace rhs lift cylinder pipe           | 20160927 |
| 100-LD-020-HYD | Replace broken bolts in LHS lift cyl     | 20160926 Replace broken bolts in LHS lift cyl     | 20160926 |
| 100-LD-020-DRV | replace blwn pos#3 tyre                  | 20160923 replace blwn pos#3 tyre                  | 20160924 |
| 100-LD-020-HYD | lift cylinder d-ring,from implement valv | 20160923 lift cylinder d-ring,from implement valv | 20160927 |
| 100-LD-020     | 100-LD-020 DAILY SERVICE                 | 20160921 R2900/G LOADER DAILY SERVICE             | 20160927 |
| 100-LD-020     | 1000HR CAT LOADER SERVICE                | 20160909 1000HR CAT LOADER MECH SERVICE           | 20160909 |
| 100-LD-020-STR | remove and replace heal shrouds          | 20160909 remove and replace heal shrouds          | 20161103 |
| 100-LD-020     | Parkbrake wont release                   | 20160908 Parkbrake wont release                   | 20160908 |
| 100-LD-020     | 100-LD-020 DAILY SERVICE                 | 20160907 R2900/G LOADER DAILY SERVICE             | 20160911 |
| 100-LD-020-STR | replace get                              | 20160906 replace get                              | 20160907 |
| 100-LD-020     | 6 MONTHLY GAS TESTING                    | 20160901 6 MONTHLY GAS TESTING PM2079             | 20160907 |
| 100-LD-020     | 100-LD-020 DAILY SERVICE                 | 20160831 R2900/G LOADER DAILY SERVICE             | 20160907 |
| 100-LD-020-STR | replace l/h corner bucket tooth          | 20160830 replace l/h corner bucket tooth          | 20160830 |
| 100-LD-020     | 100-LD-020 DAILY SERVICE                 | 20160824 R2900/G LOADER DAILY SERVICE             | 20160831 |
| 100-LD-020-DRV | investigate braking issues               | 20160824 investigate braking issues               | 20160825 |
| 100-LD-020     | suspect diesel in oil/ride control       | 20160818 suspect diesel in oil/ride control       | 20160818 |
| 100-LD-020     | 100-LD-020 DAILY SERVICE                 | 20160817 R2900/G LOADER DAILY SERVICE             | 20160824 |
| 100-LD-020-ENG | engine running rough                     | 20160816 engine running rough                     | 20160816 |
| 100-LD-020-ENG | A/C Fan Noisey                           | 20160815 A/C Fan Noisey                           | 20160823 |
| 100-LD-020-ENG | Engine Misfire                           | 20160814 Engine Misfire                           | 20160814 |
| 100-LD-020     | 250HR CAT LOADER SERVICE                 | 20160811 250HR LOADER MECH SERVICE                | 20160816 |
| 100-LD-020     | 100-LD-020 DAILY SERVICE                 | 20160810 R2900/G LOADER DAILY SERVICE             | 20160816 |
| 100-LD-020     | pilot valve u/s                          | 20160807 pilot valve u/s                          | 20160909 |
| 100-LD-020-ELC | replace front camera                     | 20160807 replace front camera                     | 20160807 |
| 100-LD-020     | 100-LD-020 DAILY SERVICE                 | 20160803 R2900/G LOADER DAILY SERVICE             | 20160810 |
| 100-LD-020     | FRONT LIGHTS NOT WORKING                 | 20160728 FRONT LIGHTS NOT WORKING                 | 20160810 |
| 100-LD-020     | 100-LD-020 DAILY SERVICE                 | 20160727 R2900/G LOADER DAILY SERVICE             | 20160810 |
| 100-LD-020     | Loader Shut down in stope on remotes     | 20160727 Loader Shut down in stope on remotes     | 20160727 |
| 100-LD-020-ELC | fault find 4th gear disparity fault      | 20160726 fault find 4th gear disparity fault      | 20160726 |
| 100-LD-020-HYD | BLOWN D-RING ON HYD HOSE                 | 20160726 BLOWN D-RING ON HYD HOSE                 | 20160801 |
| 100-LD-020-HYD | R/H/S lift cylinder pipe busted          | 20160726 R/H/S lift cylinder pipe busted          | 20160802 |
| 100-LD-020     | Confirm loader set up for remotes        | 20160725 Confirm loader set up for remotes        | 20160725 |
| 100-LD-020     | 100-LD-020 DAILY SERVICE                 | 20160720 R2900/G LOADER DAILY SERVICE             | 20160727 |
| 100-LD-020     | BLOWN HYD HOSE                           | 20160719 BLOWN HYD HOSE                           | 20160802 |
| 100-LD-020-ELC | Install Remotes on loader                | 20160719 Install Remotes on loader                | 20160720 |
| 100-LD-020-HYD | Pilot Hyd Hose U/S                       | 20160719 Pilot Hyd Hose U/S                       | 20160802 |
| 100-LD-020-ENG | replace 1 battery, dropped cell          | 20160717 replace 1 battery, dropped cell          | 20160726 |
| 100-LD-020-ELC | BATTERIES U/S                            | 20160716 BATTERIES U/S                            | 20160726 |
| 100-LD-020-HYD | STEER CYLINDER FITTED INCORRECTLY        | 20160716 STEER CYLINDER FITTED INCORRECTLY        | 20160726 |
| 100-LD-020     | 100-LD-020 DAILY SERVICE                 | 20160713 R2900/G LOADER DAILY SERVICE             | 20160719 |
| 100-LD-020     | 500HR CAT LOADER SERVICE                 | 20160630 500HR CAT LOADER MECH SERVICE            | 20160715 |
| 100-LD-020-STR | REPLACE ARTICULATION BEARINGS & SHIMS    | 20160630 GILES LINEBORE LD-20 ARTICULATION        | 20160802 |
| 100-LD-020-STR | REPLACE ARTICULATION BEARINGS & SHIMS    | 20160630 REPLACE ARTICULATION BEARINGS & SHIMS    | 20160802 |
| 100-LD-020     | 100-LD-020 DAILY SERVICE                 | 20160629 R2900/G LOADER DAILY SERVICE             | 20160715 |
| 100-LD-020     | Slow steering                            | 20160628 Slow steering                            | 20160630 |
| 100-LD-020-HYD | HARD TO STEER WHILE STATIONARY           | 20160627 HARD TO STEER WHILE STATIONARY           | 20160629 |
| 100-LD-020     | 100-LD-020 DAILY SERVICE                 | 20160622 R2900/G LOADER DAILY SERVICE             | 20160629 |
| 100-LD-020     | 100-LD-020 DAILY SERVICE                 | 20160615 R2900/G LOADER DAILY SERVICE             | 20160621 |
| 100-LD-020-ELC | ALTERNATOR UNDER CHARGING                | 20160611 ALTERNATOR UNDER CHARGING                | 20160615 |
| 100-LD-020-ELC | MP3/MISIC PLAYER U/S                     | 20160611 MP3/MISIC PLAYER U/S                     | 20160615 |
| 100-LD-020-STR | LOOSE G.E.T                              | 20160609 LOOSE G.E.T                              | 20160615 |
| 100-LD-020     | 100-LD-020 DAILY SERVICE                 | 20160608 R2900/G LOADER DAILY SERVICE             | 20160615 |
| 100-LD-020-ELC | IGNITION KEY HARD TO TURN                | 20160608 IGNITION KEY HARD TO TURN                | 20160801 |
| 100-LD-020     | 100-LD-020 DAILY SERVICE                 | 20160601 R2900/G LOADER DAILY SERVICE             | 20160608 |
| 100-LD-020     | 250HR CAT LOADER SERVICE                 | 20160527 250HR LOADER MECH SERVICE                | 20160602 |

|                |   |   |          |
|----------------|---|---|----------|
| 100-LD-020     | 100-LD-020 DAILY SERVICE                | 20160525 R2900/G LOADER DAILY SERVICE           | 20160606 |
| 100-LD-020-STR | replace bucket teeth                    | 20160522 replace bucket teeth                   | 20160526 |
| 100-LD-020     | 100-LD-020 DAILY SERVICE                | 20160518 R2900/G LOADER DAILY SERVICE           | 20160526 |
| 100-LD-020     | NEUTRALISER SWITCH U/S                  | 20160517 NEUTRALISER SWITCH U/S                 | 20160517 |
| 100-LD-020     | 100-LD-020 DAILY SERVICE                | 20160511 R2900/G LOADER DAILY SERVICE           | 20160518 |
| 100-LD-020     | 100-LD-020 DAILY SERVICE                | 20160504 R2900/G LOADER DAILY SERVICE           | 20160512 |
| 100-LD-020     | E-stop issues                           | 20160503 E-stop issues                          | 20160505 |
| 100-LD-020     | Rock fall on loader @8880               | 20160503 Rock fall on loader @8880              | 20160517 |
| 100-LD-020     | 10c faults                              | 20160501 a/c faults                             | 20160505 |
| 100-LD-020     | 2000HR CAT LOADER SERVICE               | 20160427 2000HR CAT LOADER MECH SERVICE         | 20160505 |
| 100-LD-020     | 100-LD-020 DAILY SERVICE                | 20160427 R2900/G LOADER DAILY SERVICE           | 20160517 |
| 100-LD-020     | 100-LD-020 DAILY SERVICE                | 20160420 R2900/G LOADER DAILY SERVICE           | 20160426 |
| 100-LD-020     | A/C COMPRESSOR SEIZED                   | 20160416 A/C COMPRESSOR SEIZED                  | 20160421 |
| 100-LD-020     | 100-LD-020 DAILY SERVICE                | 20160413 R2900/G LOADER DAILY SERVICE           | 20160421 |
| 100-LD-020-DRV | DAMAGED POS 4 WHEEL END COVER           | 20160413 DAMAGED POS 4 WHEEL END COVER          | 20160421 |
| 100-LD-020-STR | replace rh corner bucket tooth          | 20160412 replace rh corner bucket tooth         | 20160421 |
| 100-LD-020     | bogger stuck in sump at 8940            | 20160407 bogger stuck in sump at 8940           | 20160801 |
| 100-LD-020     | 100-LD-020 DAILY SERVICE                | 20160406 R2900/G LOADER DAILY SERVICE           | 20160421 |
| 100-LD-020     | E-stop broken off, wiper motor bracket  | 20160401 E-stop broken off, wiper motor bracket | 20160413 |
| 100-LD-020     | No cab power                            | 20160331 No cab power                           | 20160413 |
| 100-LD-020     | 100-LD-020 DAILY SERVICE                | 20160330 R2900/G LOADER DAILY SERVICE           | 20160421 |
| 100-LD-020     | 250HR CAT LOADER SERVICE                | 20160329 250HR LOADER MECH SERVICE              | 20160414 |
| 100-LD-020-HYD | hyd leak                                | 20160326 hyd leak                               | 20160505 |
| 100-LD-020     | 100-LD-020 DAILY SERVICE                | 20160323 R2900/G LOADER DAILY SERVICE           | 20160414 |
| 100-LD-020     | Brake cooling temp light coming on      | 20160322 Brake cooling temp light coming on     | 20160420 |
| 100-LD-020-ELC | CAB A/C FAN U/S                         | 20160317 CAB A/C FAN U/S                        | 20160414 |
| 100-LD-020     | 100-LD-020 DAILY SERVICE                | 20160316 R2900/G LOADER DAILY SERVICE           | 20160420 |
| 100-LD-020-STR | WIPER NOT WORKING                       | 20160316 WIPER NOT WORKING                      | 20160606 |
| 100-LD-020-ELC | CHECK GEAR S DROPPING OUT               | 20160314 CHECK GEAR S DROPPING OUT              | 20160414 |
| 100-LD-020     | Main isolator u/s                       | 20160313 Main isolator u/s                      | 20160322 |
| 100-LD-020     | 100-LD-020 DAILY SERVICE                | 20160309 R2900/G LOADER DAILY SERVICE           | 20160414 |
| 100-LD-020     | 2 way not working properly              | 20160307 2 way not working properly             | 20160421 |
| 100-LD-020     | 100-LD-020 DAILY SERVICE                | 20160302 R2900/G LOADER DAILY SERVICE           | 20160421 |
| 100-LD-020     | 6 MONTHLY FIRE SUPPRESSION TESTING      | 20160301 6 MONTHLY FIRE SUPPRESSION TESTING     | 20160428 |
| 100-LD-020     | 6 MONTHLY FIRE SUPPRESSION TESTING      | 20160301 FIRE SUPPRESSION TESTING LD-20 FX-9401 | 0        |
| 100-LD-020     | 6 MONTHLY GAS TESTING                   | 20160301 6 MONTHLY GAS TESTING PM2079           | 20160428 |
| 100-LD-020     | 500HR CAT LOADER SERVICE                | 20160225 500HR CAT LOADER MECH SERVICE          | 20160226 |
| 100-LD-020-STR | SEAT WILL NOT PUMP UP                   | 20160225 SEAT WILL NOT PUMP UP                  | 20160503 |
| 100-LD-020-STR | SEAT WILL NOT PUMP UP                   | 20160225 OSR 14963 STRIP & ASSESS FEE           | 0        |
| 100-LD-020     | 100-LD-020 DAILY SERVICE                | 20160224 R2900/G LOADER DAILY SERVICE           | 20160322 |
| 100-LD-020     | remove rear drive shaft                 | 20160224 remove rear drive shaft                | 20160322 |
| 100-LD-020     | replace reverse beeper                  | 20160219 replace reverse beeper                 | 20160322 |
| 100-LD-020-HYD | OSR COSTS FROM 2015 - CYLINDERS         | 20160218 OSR 14104 REPAIR STEER CYLINDERS 2015  | 20160428 |
| 100-LD-020     | 100-LD-020 DAILY SERVICE                | 20160217 R2900/G LOADER DAILY SERVICE           | 20160322 |
| 100-LD-020-HYD | LIFT CYLINDER REPAIR COSTS FROM 2015    | 20160215 LIFT CYLINDER REPAIR COSTS FROM 2015   | 20160428 |
| 100-LD-020     | 100-LD-020 DAILY SERVICE                | 20160210 R2900/G LOADER DAILY SERVICE           | 20160322 |
| 100-LD-020-HYD | REPLACE BLOWN STEERING HOSE             | 20160210 REPLACE BLOWN STEERING HOSE            | 20160223 |
| 100-LD-020     | 100-LD-020 DAILY SERVICE                | 20160208 R2900/G LOADER DAILY SERVICE           | 20160223 |
| 100-LD-020     | pos 1 tyre flat                         | 20160208 pos 1 tyre flat                        | 20160215 |
| 100-LD-020-ENG | COSTS NOT COVERED BY WARRANTY SI08655   | 20160208 COSTS NOT COVERED BY WARRANTY SI08655  | 20160428 |
| 100-LD-020-DRV | WARRANTY - AXLE COOLER REPAIRS          | 20160204 WARRANTY - TRAVEL CHARGES FOR LD-20    | 20160215 |
| 100-LD-020     | 250HR CAT LOADER SERVICE                | 20160126 250HR LOADER MECH SERVICE              | 20160128 |
| 100-LD-020     | COSTS FOR W/O 4093083 1000 HOUR SERVICE | 20160126 LD-20 1000 HOUR SERVICE SI08664        | 20160428 |
| 100-LD-020     | Replace G.E.T bucket teeth              | 20160126 Replace G.E.T bucket teeth             | 20160209 |
| 100-LD-020     | stuck at 8960                           | 20160125 stuck at 8960                          | 20160209 |
| 100-LD-020     | Exhaust u/s                             | 20160122 Exhaust u/s                            | 20160209 |
| 100-LD-020     | WESTRAC WARRANTY FOR REAR MAIN SEAL     | 20160120 TRAVEL COSTS FOR SI08691               | 0        |
| 100-LD-020     | WESTRAC WARRANTY FOR REAR MAIN SEAL     | 20160120 WESTRAC WARRANTY FOR REAR MAIN SEAL    | 20160428 |
| 100-LD-020     | WESTRAC WARRANTY FOR REAR MAIN SEAL     | 20160120 LD-20 R & R RADIATOR ASSEMBLY SI08671  | 0        |
| 100-LD-020     | 100-LD-020 DAILY SERVICE                | 20160120 R2900/G LOADER DAILY SERVICE           | 20160215 |
| 100-LD-020     | OSR 14163 TYRE REPAIR                   | 20160118 OSR 14163 TYRE REPAIR                  | 20160503 |
| 100-LD-020     | change pos 2                            | 20160118 change pos 2                           | 20160127 |
| 100-LD-020     | 100-LD-020 DAILY SERVICE                | 20160113 R2900/G LOADER DAILY SERVICE           | 20160209 |
| 100-LD-020     | REPAIR EXHAUST SYSTEM                   | 20160111 repair exhaust                         | 20160209 |
| 100-LD-020     | BLOWN TILT CYLINDER HOSE                | 20160109 BLOWN TILT CYLINDER HOSE               | 20160209 |
| 100-LD-020     | 100-LD-020 DAILY SERVICE                | 20160106 R2900/G LOADER DAILY SERVICE           | 20160209 |
| 100-LD-020     | lift pins noisy                         | 20160103 lift pins noisy                        | 20160114 |
| 100-LD-020     | exhaust pipe coming off                 | 20160103 exhaust pipe coming off                | 20160114 |
| 100-LD-020     | 100-LD-020 DAILY SERVICE                | 20151230 R2900/G LOADER DAILY SERVICE           | 20160115 |

|            |  |   |          |
|------------|--|---|----------|
| 100-LD-020 | WARRANTY WORK BY WESTRAC                 | 20151214 WARRANTY WORK BY WESTRAC                 | 20160512 |
| 100-LD-020 | WARRANTY WORK BY WESTRAC                 | 20151214 LD-20 HEAD GASKET (WARRANTY)             | 0        |
| 100-LD-020 | WARRANTY WORK BY WESTRAC                 | 20151214 LD-20 REAR STRUCTURE (WARRANTY)          | 0        |
| 100-LD-020 | WARRANTY WORK BY WESTRAC                 | 20151214 LD-20 LIFT CYLINDERS (WARRANTY)          | 0        |
| 100-LD-020 | GEAR SELECTION FAULT                     | 20151213 GEAR SELECTION FAULT                     | 20151221 |
| 100-LD-020 | REPLACE TILT CYLINDER                    | 20151210 REPLACE TILT CYLINDER                    | 20160114 |
| 100-LD-020 | 1000HR CAT LOADER SERVICE                | 20151210 1000HR CAT LOADER MECH SERVICE           | 20151210 |
| 100-LD-020 | REPLACE BOTH STEERING CYLINDERS          | 20151210 REPLACE BOTH STEERING CYLINDERS          | 20160114 |
| 100-LD-020 | 100-LD-020 DAILY SERVICE                 | 20151209 R2900/G LOADER DAILY SERVICE             | 20151221 |
| 100-LD-020 | CHECK BRAKE TEMP LIGHT ON                | 20151209 CHECK BRAKE TEMP LIGHT ON                | 20160114 |
| 100-LD-020 | change blower fan                        | 20151208 change blower fan                        | 20151214 |
| 100-LD-020 | 100-LD-020 DAILY SERVICE                 | 20151202 R2900/G LOADER DAILY SERVICE             | 20151215 |
| 100-LD-020 | REPLACE ALTERNATOR CHECK EXHAUST         | 20151202 REPLACE ALTERNATOR CHECK EXHAUST         | 20151214 |
| 100-LD-020 | REPLACE BUCKET LINER                     | 20151201 REPLACE BUCKET LINER                     | 20151210 |
| 100-LD-020 | no cab power                             | 20151127 no cab power                             | 20151203 |
| 100-LD-020 | no boom lights                           | 20151126 no boom lights                           | 20151203 |
| 100-LD-020 | REPLACE POS 3 & 4 TYRES                  | 20151126 REPLACE POS 3 & 4 TYRES                  | 20151203 |
| 100-LD-020 | 100-LD-020 DAILY SERVICE                 | 20151125 R2900/G LOADER DAILY SERVICE             | 20151203 |
| 100-LD-020 | 100-LD-020 DAILY SERVICE                 | 20151118 R2900/G LOADER DAILY SERVICE             | 20151203 |
| 100-LD-020 | 100-LD-020 HOUR BASED SERVICE            | 20151112 250HR SERVICE                            | 20151122 |
| 100-LD-020 | NO BOOM OR BUCKET FUNCTIONS              | 20151112 NO BOOM OR BUCKET FUNCTIONS              | 20151125 |
| 100-LD-020 | 100-LD-020 DAILY SERVICE                 | 20151111 R2900/G LOADER DAILY SERVICE             | 20151125 |
| 100-LD-020 | low coolant                              | 20151111 low coolant                              | 20151122 |
| 100-LD-020 | CHECK BRAKE WEAR                         | 20151110 CHECK BRAKE WEAR                         | 20151202 |
| 100-LD-020 | BUCKET REPAIRS AND REPAIR CRACKS AT REAR | 20151110 BUCKET REPAIRS AND REPAIR CRACKS AT REAR | 20151122 |
| 100-LD-020 | check and adjust releif pressures lift   | 20151110 check and adjust releif pressures lift   | 20151113 |
| 100-LD-020 | broken grease lines on boom              | 20151108 broken grease lines on boom              | 20151116 |
| 100-LD-020 | 100-LD-020 DAILY SERVICE                 | 20151104 R2900/G LOADER DAILY SERVICE             | 20151202 |
| 100-LD-020 | broken grease line                       | 20151104 broken grease line                       | 20151202 |
| 100-LD-020 | A/C FAN MOTOR U/S                        | 20151103 A/C FAN MOTOR U/S                        | 20151125 |
| 100-LD-020 | Repair loose exhaust pipe                | 20151102 Repair loose exhaust pipe                | 20151202 |
| 100-LD-020 | REPLACE 4x HEEL SHROUDS ON BUCKET        | 20151029 REPLACE 4x HEEL SHROUDS ON BUCKET        | 20151202 |
| 100-LD-020 | no front lights                          | 20151029 no front lights                          | 20151202 |
| 100-LD-020 | 100-LD-020 HOUR BASED SERVICE            | 20151029 500HR SERVICE                            | 20151202 |
| 100-LD-020 | 100-LD-020 DAILY SERVICE                 | 20151028 R2900/G LOADER DAILY SERVICE             | 20151202 |
| 100-LD-020 | change bucket teeth,                     | 20151022 change bucket teeth,                     | 20151027 |
| 100-LD-020 | 100-LD-020 DAILY SERVICE                 | 20151021 R2900/G LOADER DAILY SERVICE             | 20151030 |
| 100-LD-020 | 100-LD-020 DAILY SERVICE                 | 20151014 R2900/G LOADER DAILY SERVICE             | 20151022 |
| 100-LD-020 | REPAIR NO STEERING ONE WAY               | 20151013 REPAIR NO STEERING ONE WAY               | 20151019 |
| 100-LD-020 | REPLACE DAMAGED PRE-CLEANER              | 20151012 REPLACE DAMAGED PRE-CLEANER              | 20151019 |
| 100-LD-020 | REPLACE WORN CUSHIONS IN CAB             | 20151008 REPLACE WORN CUSHIONS IN CAB             | 20151014 |
| 100-LD-020 | 100-LD-020 DAILY SERVICE                 | 20151007 R2900/G LOADER DAILY SERVICE             | 20151021 |
| 100-LD-020 | No steering                              | 20151006 No steering                              | 20151013 |
| 100-LD-020 | FLAT POS 1 TYRE                          | 20151003 FLAT POS 1 TYRE                          | 20151020 |
| 100-LD-020 | 100-LD-020 HOUR BASED SERVICE            | 20151001 250HR SERVICE                            | 20151020 |
| 100-LD-020 | REPLACE TILT CYLINDER                    | 20151001 REPLACE TILT CYLINDER                    | 20151020 |
| 100-LD-020 | 100-LD-020 DAILY SERVICE                 | 20150930 R2900/G LOADER DAILY SERVICE             | 20151020 |
| 100-LD-020 | jump start ld 20                         | 20150926 jump start ld 20                         | 20151020 |
| 100-LD-020 | steering fault                           | 20150924 steering fault                           | 20151020 |
| 100-LD-020 | 100-LD-020 DAILY SERVICE                 | 20150923 R2900/G LOADER DAILY SERVICE             | 20151020 |
| 100-LD-020 | SPLIT IN TOP RADIATOR HOSE               | 20150921 SPLIT IN TOP RADIATOR HOSE               | 20151020 |
| 100-LD-020 | differential over temp alarm going off   | 20150916 differential over temp alarm going off   | 20151020 |
| 100-LD-020 | 100-LD-020 DAILY SERVICE                 | 20150916 R2900/G LOADER DAILY SERVICE             | 20151020 |
| 100-LD-020 | repairs after being stuck in sump        | 20150915 repairs                                  | 20150916 |
| 100-LD-020 | 100-LD-020 HOUR BASED SERVICE            | 20150911 2000HR SERVICE                           | 20150923 |
| 100-LD-020 | 100-LD-020 DAILY SERVICE                 | 20150909 R2900/G LOADER DAILY SERVICE             | 20150922 |
| 100-LD-020 | replace centre shaft/ steering stop      | 20150907 replace centre shaft/ steering stop      | 20150916 |
| 100-LD-020 | STEER FAULT - LHD STUCK AGAINST WALL     | 20150906 STEER FAULT - LHD STUCK AGAINST WALL     | 20150916 |
| 100-LD-020 | 100-LD-020 DAILY SERVICE                 | 20150902 R2900/G LOADER DAILY SERVICE             | 20150922 |
| 100-LD-020 | 6 MONTHLY FIRE SUPPRESSION TESTING       | 20150901 W.F.S FIRE SUP. TESTING LD-20 FX-8632    | 0        |
| 100-LD-020 | 6 MONTHLY FIRE SUPPRESSION TESTING       | 20150901 6 MONTHLY FIRE SUPPRESSION TESTING       | 20150914 |
| 100-LD-020 | AIR CONDITIONER BLOWER U/S               | 20150901 AIR CONDITIONER BLOWER U/S               | 20150916 |
| 100-LD-020 | 100-LD-020 DAILY SERVICE                 | 20150826 R2900/G LOADER DAILY SERVICE             | 20150922 |
| 100-LD-020 | REPLACE STEERING NEUTRILIZER             | 20150826 REPLACE STEERING NEUTRILIZER             | 20150921 |
| 100-LD-020 | DIAGNOSE AND REPAIR STEERING ISSUES 7782 | 20150821 DIAGNOSE AND REPAIR STEERING ISSUES 7782 | 20150921 |
| 100-LD-020 | 100-LD-020 DAILY SERVICE                 | 20150819 R2900/G LOADER DAILY SERVICE             | 20150922 |
| 100-LD-020 | Frnt wyper n/w                           | 20150815 Frnt wyper n/w                           | 20150921 |
| 100-LD-020 | CHECK FOR BYPASS PLUG IN SEAT BELT WIRE  | 20150813 CHECK FOR BYPASS PLUG IN SEAT BELT WIRE  | 20150921 |
| 100-LD-020 | 100-LD-020 DAILY SERVICE                 | 20150812 R2900/G LOADER DAILY SERVICE             | 20150831 |

|            |  |   |          |
|------------|--|---|----------|
| 100-LD-020 | loader bogged                            | 20150812 loader bogged                            | 20150901 |
| 100-LD-020 | bucket teeth worn                        | 20150811 bucket teeth worn                        | 20150921 |
| 100-LD-020 | 100-LD-020 DAILY SERVICE                 | 20150805 R2900/G LOADER DAILY SERVICE             | 20150901 |
| 100-LD-020 | RIDE CONTROL U/S                         | 20150803 RIDE CONTROL U/S                         | 20150812 |
| 100-LD-020 | REPLACE DAMAGED TOW HOOK ASSEMBLY        | 20150803 REPLACE DAMAGED TOW HOOK ASSEMBLY        | 20150914 |
| 100-LD-020 | REPLACE CENTRE DRIVESHAFT                | 20150730 REPLACE CENTRE DRIVESHAFT                | 20150921 |
| 100-LD-020 | 100-LD-020 DAILY SERVICE                 | 20150729 R2900/G LOADER DAILY SERVICE             | 20150916 |
| 100-LD-020 | interlock not working                    | 20150728 interlock not working                    | 20150807 |
| 100-LD-020 | INSTALL RECOVERY HOOK FOR LD 19          | 20150727 INSTALL RECOVERY HOOK FOR LD 19          | 20150825 |
| 100-LD-020 | air con hose                             | 20150727 air con hose                             | 20150807 |
| 100-LD-020 | REPLACE U/S FIRE EXTINGUISHER            | 20150727 REPLACE U/S FIRE EXTINGUISHER            | 20150729 |
| 100-LD-020 | 100-LD-020 DAILY SERVICE                 | 20150722 R2900/G LOADER DAILY SERVICE             | 20150807 |
| 100-LD-020 | INSPECT ALL BRAKE PACK THICKNESSES       | 20150722 INSPECT ALL BRAKE PACK THICKNESSES       | 20150805 |
| 100-LD-020 | 100-LD-020 DAILY SERVICE                 | 20150715 R2900/G LOADER DAILY SERVICE             | 20150730 |
| 100-LD-020 | 100-LD-020 DAILY SERVICE                 | 20150708 R2900/G LOADER DAILY SERVICE             | 20150730 |
| 100-LD-020 | 100-LD-020 HOUR BASED SERVICE            | 20150706 500HR SERVICE                            | 20150730 |
| 100-LD-020 | 100-LD-020 DAILY SERVICE                 | 20150701 R2900/G LOADER DAILY SERVICE             | 20150715 |
| 100-LD-020 | U/G RADIO NOT WORKING -                  | 20150629 U/G RADIO NOT WORKING                    | 20150702 |
| 100-LD-020 | DAMAGED GREASE FITTING - LIFT CYLINDER   | 20150627 DAMAGED GREASE FITTING - LIFT CYLINDER   | 20150702 |
| 100-LD-020 | PARK BRAKE WON'T RELEASAE -              | 20150625 PARK BRAKE WONT RELESAE                  | 20150702 |
| 100-LD-020 | 100-LD-020 DAILY SERVICE                 | 20150624 R2900/G LOADER DAILY SERVICE             | 20150707 |
| 100-LD-020 | 100-LD-020 DAILY SERVICE                 | 20150617 R2900/G LOADER DAILY SERVICE             | 20150707 |
| 100-LD-020 | NOISEY BOOM PINS.                        | 20150614 NOISEY BOOM PINS                         | 20150622 |
| 100-LD-020 | 100-LD-020 DAILY SERVICE                 | 20150610 R2900/G LOADER DAILY SERVICE             | 20150707 |
| 100-LD-020 | 100-LD-020 HOUR BASED SERVICE            | 20150604 250HR SERVICE                            | 20150622 |
| 100-LD-020 | 100-LD-020 DAILY SERVICE                 | 20150603 R2900/G LOADER DAILY SERVICE             | 20150707 |
| 100-LD-020 | boom light missing                       | 20150602 boom light missing                       | 20150622 |
| 100-LD-020 | WARRENTY REPAIR OIL TRANSFER TO TRANNY   | 20150529 WARRENTY REPAIR OIL TRANSFER TO TRANNY   | 20150623 |
| 100-LD-020 | WARRENTY REPAIR OIL TRANSFER TO TRANNY   | 20150529 travel to site for warranty repairs LD20 | 0        |
| 100-LD-020 | VIMS RIDE CONTROL EVENTS (WARRANTY)      | 20150528 VIMS RIDE CONTROL EVENTS                 | 20150622 |
| 100-LD-020 | VIMS RIDE CONTROL EVENTS (WARRANTY)      | 20150528 LD20 RIDE CONTROL FAULT WESTRAC WARRANTY | 0        |
| 100-LD-020 | 100-LD-020 DAILY SERVICE                 | 20150527 R2900/G LOADER DAILY SERVICE             | 20150708 |
| 100-LD-020 | PRE-START REPAIRS                        | 20150526 PRE-START REPAIRS                        | 20150528 |
| 100-LD-020 | 100-LD-020 DAILY SERVICE                 | 20150520 R2900/G LOADER DAILY SERVICE             | 20150709 |
| 100-LD-020 | cracked window                           | 20150520 cracked window                           | 20150624 |
| 100-LD-020 | 100-LD-020 DAILY SERVICE                 | 20150513 R2900/G LOADER DAILY SERVICE             | 20150603 |
| 100-LD-020 | REPAIR A/C NOT WORKING                   | 20150508 REPAIR A/C NOT WORKING                   | 20150623 |
| 100-LD-020 | 100-LD-020 DAILY SERVICE                 | 20150506 R2900/G LOADER DAILY SERVICE             | 20150514 |
| 100-LD-020 | 100-LD-020 HOUR BASED SERVICE            | 20150505 1000HR SERVICE                           | 20150624 |
| 100-LD-020 | 100-LD-020 DAILY SERVICE                 | 20150429 R2900/G LOADER DAILY SERVICE             | 20150507 |
| 100-LD-020 | 100-LD-020 DAILY SERVICE                 | 20150422 R2900/G LOADER DAILY SERVICE             | 20150507 |
| 100-LD-020 | S.O.S SAMPLE FAULT POS 2 WHEELEND        | 20150421 Poor oil samples. Inspect and replace.   | 20150429 |
| 100-LD-020 | Replace pos 1,2 tyres                    | 20150413 Replace pos 1,2 tyres                    | 20150427 |
| 100-LD-020 | Axle cooling light illuminated           | 20150413 Axle cooling light illuminated           | 20150422 |
| 100-LD-020 | 100-LD-020 HOUR BASED SERVICE            | 20150409 250HR SERVICE                            | 20150505 |
| 100-LD-020 | R & D STEERING CYLINDER PINS             | 20150409 R & D STEERING CYLINDER PINS             | 20150505 |
| 100-LD-020 | REPAIR BUCKET STOPS                      | 20150409 REPAIR BUCKET STOPS                      | 20150419 |
| 100-LD-020 | REPLACEMENT OF HANDRAIL SYSTEM           | 20150409 REPLACEMENT OF HANDRAIL SYSTEM           | 20150622 |
| 100-LD-020 | 100-LD-020 DAILY SERVICE                 | 20150408 R2900/G LOADER DAILY SERVICE             | 20150427 |
| 100-LD-020 | replace seat switch                      | 20150408 replace seat switch                      | 20150415 |
| 100-LD-020 | REPLACE BLOWN OUT ORINGS ON TILT CYL     | 20150405 REPLACE BLOWN OUT ORINGS ON TILT CYL     | 20150420 |
| 100-LD-020 | 100-LD-020 DAILY SERVICE                 | 20150401 R2900/G LOADER DAILY SERVICE             | 20150410 |
| 100-LD-020 | cut out, no elec power                   | 20150401 cut out, no elec power                   | 20150419 |
| 100-LD-020 | BOOM LIGHTS NOT WORKING                  | 20150330 BOOM LIGHTS NOT WORKING                  | 20150420 |
| 100-LD-020 | 100-LD-020 DAILY SERVICE                 | 20150325 R2900/G LOADER DAILY SERVICE             | 20150415 |
| 100-LD-020 | 100-LD-020 DAILY SERVICE                 | 20150323 R2900/G LOADER DAILY SERVICE             | 20150507 |
| 100-LD-020 | REPLACE TILT CYLINDER & DOGBONE ASSEMBLY | 20150322 REPLACE TILT CYLINDER & DOGBONE ASSEMBLY | 20150422 |
| 100-LD-020 | Noisy boom/bucket                        | 20150318 Noisy boom/bucket                        | 20150408 |
| 100-LD-020 | 100-LD-020 DAILY SERVICE                 | 20150318 R2900/G LOADER DAILY SERVICE             | 20150408 |
| 100-LD-020 | 100-LD-020 HOUR BASED SERVICE            | 20150316 500HR SERVICE                            | 20150323 |
| 100-LD-020 | bucket repairs                           | 20150316 bucket repairs                           | 20150921 |
| 100-LD-020 | REPLACE BUCKET TEETH                     | 20150311 REPLACE BUCKET TEETH                     | 20150414 |
| 100-LD-020 | 100-LD-020 DAILY SERVICE                 | 20150311 R2900/G LOADER DAILY SERVICE             | 20150422 |
| 100-LD-020 | 100-LD-020 DAILY SERVICE                 | 20150304 R2900/G LOADER DAILY SERVICE             | 20150707 |
| 100-LD-020 | bucket teeth shrouds                     | 20150227 bucket teeth shrouds                     | 20150310 |
| 100-LD-020 | 100-LD-020 DAILY SERVICE                 | 20150225 R2900/G LOADER DAILY SERVICE             | 20150310 |
| 100-LD-020 | REPLACE HEEL SHROUDS                     | 20150225 REPLACE HEEL SHROUDS                     | 20150310 |
| 100-LD-020 | left g.e.t                               | 20150224 left g.e.t                               | 20150226 |
| 100-LD-020 | fit new light                            | 20150223 fit new light                            | 20150225 |



|            |                                       |  |          |
|------------|---------------------------------------|--|----------|
| 100-LD-020 | 3 MONTHLY REMOTE CONTROL SERVICING    | 20150223 3 MONTHLY REMOTE CONTROL SERVICING    | 20150611 |
| 100-LD-020 | rock damage to boom hoses             | 20150223 rock damage to boom hoses             | 20150310 |
| 100-LD-020 | 100-LD-020 HOUR BASED SERVICE         | 20150220 250HR SERVICE                         | 20150921 |
| 100-LD-020 | 100-LD-020 DAILY SERVICE              | 20150218 R2900/G LOADER DAILY SERVICE          | 20150227 |
| 100-LD-020 | rh bucket tooth                       | 20150216 rh bucket tooth                       | 20150225 |
| 100-LD-020 | Replace leaking transmission hoses    | 20150216 Replace leaking transmission hoses    | 20150331 |
| 100-LD-020 | DIAGNOSE AND REPAIR PARK BRAKE ISSUES | 20150216 DIAGNOSE AND REPAIR PARK BRAKE ISSUES | 20150225 |
| 100-LD-020 | 100-LD-020 DAILY SERVICE              | 20150211 R2900/G LOADER DAILY SERVICE          | 20150225 |
| 100-LD-020 | 100-LD-020 DAILY SERVICE              | 20150204 R2900/G LOADER DAILY SERVICE          | 20150225 |
| 100-LD-020 | 100-LD-020 HOUR BASED SERVICE         | 20150203 2000HR SERVICE                        | 20150210 |
| 100-LD-020 | 100-LD-020 DAILY SERVICE              | 20150128 R2900/G LOADER DAILY SERVICE          | 20150204 |
| 100-LD-020 | Replace worn out bucket teeth         | 20150127 Replace worn out bucket teeth         | 20150203 |
| 100-LD-020 | 100-LD-020 DAILY SERVICE              | 20150121 R2900/G LOADER DAILY SERVICE          | 20150203 |
| 100-LD-020 | 100-LD-020 DAILY SERVICE              | 20150114 R2900/G LOADER DAILY SERVICE          | 20150121 |
| 100-LD-020 | noisy boom pins                       | 20150114 noisy boom pins                       | 20150121 |
| 100-LD-020 | P-BRAKE FAULT (PARK BRAKE SEC SENSOR) | 20150109 P-BRAKE FAULT (PARK BRAKE SEC SENSOR) | 20150113 |
| 100-LD-020 | 100-LD-020 HOUR BASED SERVICE.        | 20150108 250HR SERVICE                         | 20150121 |
| 100-LD-020 | park brake fault                      | 20150108 park brake fault                      | 20150111 |
| 100-LD-020 | Park brake light and alarm on         | 20150108 Park brake light and alarm on         | 20150108 |
| 100-LD-020 | 100-LD-020 DAILY SERVICE              | 20150107 R2900/G LOADER DAILY SERVICE          | 20150203 |
| 100-LD-020 | BYPASS TEST TILT CYLINDER             | 20150106 BYPASS TEST TILT CYLINDER             | 20150313 |
| 100-LD-020 | Replace tilt cylinder                 | 20150106 Replace tilt cylinder                 | 20150111 |
| 100-LD-020 | REPLACE BLOWN O-RING (LIFT CYL)       | 20150102 REPLACE BLOWN O-RING (LIFT CYL)       | 20150111 |
| 100-LD-020 | 100-LD-020 DAILY SERVICE              | 20141231 R2900/G LOADER DAILY SERVICE          | 20150108 |
| 100-LD-020 | Replace blown o-ring. Twice.          | 20141229 Replace blown o-ring. Twice.          | 20150105 |
| 100-LD-020 | REPLACE ALT BELT AND BATTERYS         | 20141224 REPLACE ALT BELT AND BATTERYS         | 20150105 |
| 100-LD-020 | 100-LD-020 DAILY SERVICE              | 20141224 R2900/G LOADER DAILY SERVICE          | 20150105 |
| 100-LD-020 | blown o-ring                          | 20141222 blown o-ring                          | 20150105 |
| 100-LD-020 | REPLACE MISSING BUCKET TEETH          | 20141220 REPLACE MISSING BUCKET TEETH          | 20150105 |
| 100-LD-020 | BLOWN STEERING HOSE 8790 L            | 20141219 BLOWN STEERING HOSE 8790 L            | 20150105 |
| 100-LD-020 | 100-LD-020 DAILY SERVICE              | 20141217 R2900/G LOADER DAILY SERVICE          | 20150106 |
| 100-LD-020 | FIT TABLET SYSTEM                     | 20141212 FIT TABLET SYSTEM                     | 20150105 |
| 100-LD-020 | FIT TABLET SYSTEM                     | 20141212 GTM LABOUR TO MOUNT TABLET LD-20      | 0        |
| 100-LD-020 | 100-LD-020 HOUR BASED SERVICE         | 20141212 500HR SERVICE                         | 20141222 |
| 100-LD-020 | 100-LD-020 DAILY SERVICE              | 20141210 R2900/G LOADER DAILY SERVICE          | 20141230 |
| 100-LD-020 | LIFT CYL HOSES WORN                   | 20141204 LIFT CYL HOSES WORN                   | 20141209 |
| 100-LD-020 | 100-LD-020 DAILY SERVICE              | 20141203 R2900/G LOADER DAILY SERVICE          | 20141210 |
| 100-LD-020 | replace lift cylinders                | 20141128 replace lift cylinders                | 20141210 |
| 100-LD-020 | cylinder bypass test                  | 20141128 cylinder bypass test                  | 20141202 |
| 100-LD-020 | 100-LD-020 DAILY SERVICE              | 20141126 R2900/G LOADER DAILY SERVICE          | 20141203 |
| 100-LD-020 | DIAGNOSE BRAKE ALARM ISSUES           | 20141125 DIAGNOSE BRAKE ALARM ISSUES           | 20141201 |
| 100-LD-020 | 100-LD-020 DAILY SERVICE              | 20141119 R2900/G LOADER DAILY SERVICE          | 20141202 |
| 100-LD-020 | Replaced pos 3&4 Tyres                | 20141118 Completed by M.Turton                 | 20141120 |
| 100-LD-020 | 100-LD-020 HOUR BASED SERVICE         | 20141113 250HR SERVICE                         | 20141124 |
| 100-LD-020 | 100-LD-020 DAILY SERVICE              | 20141112 R2900/G LOADER DAILY SERVICE          | 20141120 |
| 100-LD-020 | 100-LD-020 DAILY SERVICE              | 20141105 R2900/G LOADER DAILY SERVICE          | 20141112 |
| 100-LD-020 | LIFT CYLS DROPPING                    | 20141105 LIFT CYLS DROPPING                    | 20141117 |
| 100-LD-020 | Replace G.E.T.                        | 20141104 Replace G.E.T.                        | 20141104 |
| 100-LD-020 | UHF U/S                               | 20141104 UHF U/S                               | 20141105 |
| 100-LD-020 | REPLACE BROKEN BRAKE LINE             | 20141103 REPLACE BROKEN BRAKE LINE             | 20141105 |
| 100-LD-020 | warning light on dash                 | 20141031 warning light on dash                 | 20141105 |
| 100-LD-020 | 100-LD-020 DAILY SERVICE              | 20141029 R2900/G LOADER DAILY SERVICE          | 20141105 |
| 100-LD-020 | 100-LD-020 DAILY SERVICE              | 20141022 R2900/G LOADER DAILY SERVICE          | 20141103 |
| 100-LD-020 | Check eng oil leak and replace light  | 20141021 Check eng oil leak and replace light  | 20141104 |
| 100-LD-020 | 100-LD-020 HOUR BASED SERVICE         | 20141016 1000HR SERVICE                        | 20141019 |
| 100-LD-020 | 100-LD-020 DAILY SERVICE              | 20141015 R2900/G LOADER DAILY SERVICE          | 20141201 |
| 100-LD-020 | 100-LD-020 DAILY SERVICE              | 20141008 R2900/G LOADER DAILY SERVICE          | 20141015 |
| 100-LD-020 | a/c fault                             | 20141007 a/c fault                             | 20141008 |
| 100-LD-020 | replace blown hose on tilt cyl        | 20141007 replace blown hose on tilt cyl        | 20141202 |
| 100-LD-020 | 100-LD-020 DAILY SERVICE              | 20141001 R2900/G LOADER DAILY SERVICE          | 20141009 |
| 100-LD-020 | GET WORN                              | 20140930 GET WORN                              | 20141002 |
| 100-LD-020 | change out lift cyl relief valve      | 20140930 change out lift cyl relief valve      | 20141002 |
| 100-LD-020 | 100-LD-020 DAILY SERVICE              | 20140924 R2900/G LOADER DAILY SERVICE          | 20141002 |
| 100-LD-020 | RELIEF VALVE POPET SCORED             | 20140923 RELIEF VALVE POPET SCORED             | 20141009 |
| 100-LD-020 | 100-LD-020 HOUR BASED SERVICE         | 20140922 250HR SERVICE                         | 20140930 |
| 100-LD-020 | a/c fault                             | 20140919 a/c fault                             | 20140929 |
| 100-LD-020 | no battery power                      | 20140917 no battery power                      | 20140929 |
| 100-LD-020 | 100-LD-020 DAILY SERVICE              | 20140917 R2900/G LOADER DAILY SERVICE          | 20141009 |
| 100-LD-020 | replace broken grease line 4705 HRS   | 20140915 replace broken grease line            | 20140929 |

|            |  |   |          |
|------------|--|---|----------|
| 100-LD-020 | DIAGNOSE AIRCON ISSUES 4692 HRS          | 20140915 DIAGNOSE AIRCON ISSUES 4692 HRS          | 20140916 |
| 100-LD-020 | 100-LD-020 DAILY SERVICE                 | 20140910 R2900/G LOADER DAILY SERVICE             | 20140930 |
| 100-LD-020 | REPLACE DAMGED ORINGS ON FILTER COVERS   | 20140909 REPLACE DAMGED ORINGS ON FILTER COVERS   | 20140923 |
| 100-LD-020 | A/C NOT COLD                             | 20140905 A/C NOT COLD                             | 20140923 |
| 100-LD-020 | REMOVE BROKEN GREASE FITTING             | 20140904 REMOVE BROKEN GREASE FITTING             | 20140923 |
| 100-LD-020 | weld exhaust leak                        | 20140904 weld exhaust leak                        | 20140923 |
| 100-LD-020 | 100-LD-020 DAILY SERVICE                 | 20140903 R2900/G LOADER DAILY SERVICE             | 20140923 |
| 100-LD-020 | check airconditioning operation 4576     | 20140901 check airconditioning operation 4576     | 20141009 |
| 100-LD-020 | 2 WAY RADIO INOP                         | 20140828 2 WAY RADIO INOP                         | 20140929 |
| 100-LD-020 | 100-LD-020 DAILY SERVICE                 | 20140827 R2900/G LOADER DAILY SERVICE             | 20140923 |
| 100-LD-020 | 100-LD-020 HOUR BASED SERVICE            | 20140826 500HR SERVICE                            | 20140923 |
| 100-LD-020 | gas a/c                                  | 20140825 gas a/c                                  | 20141009 |
| 100-LD-020 | a/c fault                                | 20140825 a/c fault                                | 20140929 |
| 100-LD-020 | A/c Hot                                  | 20140825 A/c Hot                                  | 20140929 |
| 100-LD-020 | park brake fault                         | 20140821 park brake fault                         | 20140929 |
| 100-LD-020 | 100-LD-020 DAILY SERVICE                 | 20140820 R2900/G LOADER DAILY SERVICE             | 20141009 |
| 100-LD-020 | PATCH HOLES IN BUCKET FOR SUMP           | 20140819 PATCH HOLES IN BUCKET FOR SUMP           | 20141008 |
| 100-LD-020 | replace get                              | 20140818 replace get                              | 20141009 |
| 100-LD-020 | replace pos 2 tyre                       | 20140818 replace pos 2 tyre                       | 20141009 |
| 100-LD-020 | crashed tilt pipe                        | 20140818 crashed tilt pipe                        | 20140818 |
| 100-LD-020 | replace both corner get                  | 20140815 replace both corner get                  | 20141009 |
| 100-LD-020 | 100-LD-020 DAILY SERVICE                 | 20140813 R2900/G LOADER DAILY SERVICE             | 20141009 |
| 100-LD-020 | 100-LD-020 DAILY SERVICE                 | 20140806 R2900/G LOADER DAILY SERVICE             | 20140903 |
| 100-LD-020 | 100-LD-020 HOUR BASED SERVICE            | 20140801 250HR SERVICE                            | 20140915 |
| 100-LD-020 | Transmission pressure light on           | 20140801 Transmission pressure light on           | 20140915 |
| 100-LD-020 | REPAIR BONNET HINGE                      | 20140730 REPAIR BONNET HINGE                      | 20140731 |
| 100-LD-020 | 100-LD-020 DAILY SERVICE                 | 20140730 R2900/G LOADER DAILY SERVICE             | 20140915 |
| 100-LD-020 | alt u/s                                  | 20140728 alt u/s                                  | 20140731 |
| 100-LD-020 | 6 MONTHLY FIRE SUPPRESSION TESTING       | 20140725 6 MONTHLY FIRE SUPPRESSION TESTING       | 0        |
| 100-LD-020 | 6 MONTHLY FIRE SUPPRESSION TESTING       | 20140725 6 MONTHLY FIRE SUPPRESSION TESTING       | 20140923 |
| 100-LD-020 | 100-LD-020 DAILY SERVICE                 | 20140723 R2900/G LOADER DAILY SERVICE             | 20140915 |
| 100-LD-020 | BENT DOOR , BROKEN GLASS                 | 20140717 BENT DOOR , BROKEN GLASS                 | 20141106 |
| 100-LD-020 | 100-LD-020 DAILY SERVICE                 | 20140716 R2900/G LOADER DAILY SERVICE             | 20140801 |
| 100-LD-020 | 100-LD-020 DAILY SERVICE                 | 20140709 R2900/G LOADER DAILY SERVICE             | 20141106 |
| 100-LD-020 | 100-LD-020 HOUR BASED SERVICE            | 20140704 2000HR SERVICE                           | 20140723 |
| 100-LD-020 | 100-LD-020 DAILY SERVICE                 | 20140702 R2900/G LOADER DAILY SERVICE             | 20140714 |
| 100-LD-020 | rh corner get                            | 20140630 rh corner get                            | 20140915 |
| 100-LD-020 | REPLACED BUCKET TEETH                    | 20140630 REPLACED BUCKET TEETH                    | 20140915 |
| 100-LD-020 | 100-LD-020 DAILY SERVICE                 | 20140625 R2900/G LOADER DAILY SERVICE             | 20140915 |
| 100-LD-020 | bonnet hinge u/s                         | 20140620 bonnet hinge u/s                         | 20140623 |
| 100-LD-020 | REPLACED BLOWN TILT HOSE                 | 20140620 REPLACED BLOWN TILT HOSE                 | 20140625 |
| 100-LD-020 | change pos 4 tyre                        | 20140619 change pos 4 tyre                        | 20140623 |
| 100-LD-020 | 100-LD-020 DAILY SERVICE                 | 20140618 R2900/G LOADER DAILY SERVICE             | 20140915 |
| 100-LD-020 | 100-LD-020 DAILY SERVICE                 | 20140611 R2900/G LOADER DAILY SERVICE             | 20140915 |
| 100-LD-020 | diagnose coolant level issues and repair | 20140610 diagnose coolant level issues and repair | 20140623 |
| 100-LD-020 | 100-LD-020 DAILY SERVICE                 | 20140604 R2900/G LOADER DAILY SERVICE             | 20140915 |
| 100-LD-020 | 100-LD-020 HOUR BASED SERVICE            | 20140530 250HR SERVICE                            | 20140612 |
| 100-LD-020 | 100-LD-020 DAILY SERVICE                 | 20140528 R2900/G LOADER DAILY SERVICE             | 20140915 |
| 100-LD-020 | 100-LD-020 DAILY SERVICE                 | 20140521 R2900/G LOADER DAILY SERVICE             | 20140602 |
| 100-LD-020 | 6 MONTHLY FIRE SUPPRESSION TESTING       | 20140515 6 MONTHLY FIRE SUPPRESSION TESTING       | 20140515 |
| 100-LD-020 | 6 MONTHLY FIRE SUPPRESSION TESTING       | 20140515 FIRE SUPPRESSION SERVICE LD20 FX-6329    | 0        |
| 100-LD-020 | LOADER 20 REPLACE POS 3 TYRE             | 20140515  | 20140603 |
| 100-LD-020 | 100-LD-020 DAILY SERVICE                 | 20140514 R2900/G LOADER DAILY SERVICE             | 20140602 |
| 100-LD-020 | 100-LD-020 DAILY SERVICE                 | 20140430 R2900/G LOADER DAILY SERVICE             | 20140612 |
| 100-LD-020 | 100-LD-020 DAILY SERVICE                 | 20140423 R2900/G LOADER DAILY SERVICE             | 20140612 |
| 100-LD-020 | 100-LD-020 DAILY SERVICE                 | 20140416 R2900/G LOADER DAILY SERVICE             | 20140501 |
| 100-LD-020 | REPLACE CONVERTOR MOUNTS                 | 20140416 REPLACE CONVERTOR MOUNTS                 | 20140417 |
| 100-LD-020 | 100-LD-020 HOUR BASED SERVICE            | 20140415 500HR SERVICE                            | 20140501 |
| 100-LD-020 | Replace High speed shaft                 | 20140415 Replace High speed shaft                 | 20140501 |
| 100-LD-020 | low presuer ac hose u/s                  | 20140414 low presuer ac hose u/s                  | 20140501 |
| 100-LD-020 | BUCKET DROPPING                          | 20140414 BUCKET DROPPING                          | 20140415 |
| 100-LD-020 | 100-LD-020 DAILY SERVICE                 | 20140409 R2900/G LOADER DAILY SERVICE             | 20140501 |
| 100-LD-020 | 100-LD-020 DAILY SERVICE                 | 20140402 R2900/G LOADER DAILY SERVICE             | 20140501 |
| 100-LD-020 | 100-LD-020 DAILY SERVICE                 | 20140326 R2900/G LOADER DAILY SERVICE             | 20140407 |
| 100-LD-020 | ac fault                                 | 20140324 ac fault                                 | 20140324 |
| 100-LD-020 | 100-LD-020 DAILY SERVICE                 | 20140319 R2900/G LOADER DAILY SERVICE             | 20140407 |
| 100-LD-020 | 100-LD-020 DAILY SERVICE                 | 20140312 R2900/G LOADER DAILY SERVICE             | 20140407 |
| 100-LD-020 | Machine wouldn't start                   | 20140310 Machine wouldn't start                   | 20140320 |
| 100-LD-020 | no air from ac                           | 20140308 no air from ac                           | 20140320 |

|            |                                     |  |          |
|------------|-------------------------------------|--|----------|
| 100-LD-020 | 100-LD-020 HOUR BASED SERVICE       | 20140307 250HR SERVICE                           | 20140320 |
| 100-LD-020 | 100-LD-020 DAILY SERVICE            | 20140305 R2900/G LOADER DAILY SERVICE            | 20140320 |
| 100-LD-020 | 100-LD-020 DAILY SERVICE            | 20140226 R2900/G LOADER DAILY SERVICE            | 20140320 |
| 100-LD-020 | 100-LD-020 DAILY SERVICE            | 20140219 R2900/G LOADER DAILY SERVICE            | 20140317 |
| 100-LD-020 | Replace bucket, pins collets bushes | 20140217 TRANSPORT LOADER BUCKET TO PEAK 13.05   | 0        |
| 100-LD-020 | Replace bucket, pins collets bushes | 20140217 Replace bucket, pins collets bushes     | 20140320 |
| 100-LD-020 | Replace bucket, pins collets bushes | 20140217 TRANSPORT LOADER BUCKET TO NYNGAN 19.02 | 0        |
| 100-LD-020 | 100-LD-020 DAILY SERVICE            | 20140212 R2900/G LOADER DAILY SERVICE            | 20140317 |
| 100-LD-020 | bucket pin loose                    | 20140211 bucket pin loose                        | 20140320 |
| 100-LD-020 | missing bucket pin bolt             | 20140210 missing bucket pin bolt                 | 20140522 |
| 100-LD-020 | 100-LD-020 DAILY SERVICE            | 20140205 R2900/G LOADER DAILY SERVICE            | 20140320 |
| 100-LD-020 | 100-LD-020 HOUR BASED SERVICE       | 20140204 1000HR SERVICE                          | 20140221 |
| 100-LD-020 | Re-tension Bucket pins              | 20140204 Re-tension Bucket pins                  | 20140205 |
| 100-LD-020 | 100-LD-020 DAILY SERVICE            | 20140129 R2900/G LOADER DAILY SERVICE            | 20140221 |
| 100-LD-020 | 100-LD-020 DAILY SERVICE            | 20140122 R2900/G LOADER DAILY SERVICE            | 20140404 |
| 100-LD-020 | 100-LD-020 DAILY SERVICE            | 20140115 R2900/G LOADER DAILY SERVICE            | 20140224 |
| 100-LD-020 | POS 4 TYRE MISMATCH                 | 20140110 POS 4 TYRE MISMATCH                     | 20140115 |
| 100-LD-020 | BLOWN REAR BRAKE HOSE               | 20140110 BLOWN REAR BRAKE HOSE                   | 20140115 |
| 100-LD-020 | 100-LD-020 DAILY SERVICE            | 20140108 R2900/G LOADER DAILY SERVICE            | 20140224 |
| 100-LD-020 | Inspect coolant leak                | 20140105 Inspect coolant leak                    | 20140105 |
| 100-LD-020 | 100-LD-020 HOUR BASED SERVICE       | 20140101 250HR SERVICE                           | 20140115 |
| 100-LD-020 | 100-LD-020 DAILY SERVICE            | 20140101 R2900/G LOADER DAILY SERVICE            | 20140115 |
| 100-LD-020 | 100-LD-020 DAILY SERVICE            | 20131225 R2900/G LOADER DAILY SERVICE            | 20140110 |
| 100-LD-020 | replace pos1 tyre                   | 20131220 replace pos1 tyre                       | 20140110 |
| 100-LD-020 | recharge ac system                  | 20131219 recharge ac system                      | 20140110 |
| 100-LD-020 | 100-LD-020 DAILY SERVICE            | 20131218 R2900/G LOADER DAILY SERVICE            | 20140110 |
| 100-LD-020 | GET WORN OUT                        | 20131212 GET WORN OUT                            | 20140110 |
| 100-LD-020 | POS 2 TYRE FLAT                     | 20131212 POS 2 TYRE FLAT                         | 20140102 |
| 100-LD-020 | 100-LD-020 HOUR BASED SERVICE       | 20131212 500HR SERVICE                           | 20140110 |
| 100-LD-020 | 100-LD-020 DAILY SERVICE            | 20131211 R2900/G LOADER DAILY SERVICE            | 20140110 |
| 100-LD-020 | flat tyre pos 3                     | 20131205 flat tyre pos 3                         | 20131212 |
| 100-LD-020 | R&r POS 2                           | 20131128 R&r POS 2                               | 20140110 |
| 100-LD-020 | REPLACE BLOWEN HOSE                 | 20131128 REPLACE BLOWEN HOSE                     | 20140120 |
| 100-LD-020 | 100-LD-020 DAILY SERVICE            | 20131127 R2900/G LOADER DAILY SERVICE            | 20140110 |
| 100-LD-020 | 100-LD-020 HOUR BASED SERVICE       | 20131122 250HR SERVICE                           | 20131209 |
| 100-LD-020 | R&R RH CORNER TOOTH                 | 20131122 R&R RH CORNER TOOTH                     | 20131209 |
| 100-LD-020 | R&R HOLE IN CONDENSOR               | 20131122 R&R HOLE IN CONDENSOR                   | 20131209 |
| 100-LD-020 | 100-LD-020 DAILY SERVICE            | 20131120 R2900/G LOADER DAILY SERVICE            | 20131209 |
| 100-LD-020 | replace batterys                    | 20131120 replace batterys                        | 20140110 |
| 100-LD-020 | change pos 1 and 2 tyres            | 20131118 change pos 1 and 2 tyres                | 20131118 |
| 100-LD-020 | 100-LD-020 DAILY SERVICE            | 20131113 R2900/G LOADER DAILY SERVICE            | 20140110 |
| 100-LD-020 | Missing rh corner tooth             | 20131112 Missing rh corner tooth                 | 20131209 |
| 100-LD-020 | replace grease dosers near hyd tank | 20131111 replace grease dosers near hyd tank     | 20140110 |
| 100-LD-020 | replace pos 1& 2                    | 20131111 replace pos 1& 2                        | 20131209 |
| 100-LD-020 | 100-LD-020 DAILY SERVICE            | 20131106 R2900/G LOADER DAILY SERVICE            | 20131121 |
| 100-LD-020 | 100-LD-020 DAILY SERVICE            | 20131030 R2900/G LOADER DAILY SERVICE            | 20140110 |
| 100-LD-020 | 100-LD-020 HOUR BASED SERVICE       | 20131024 2000HR SERVICE                          | 20131026 |
| 100-LD-020 | 100-LD-020 DAILY SERVICE            | 20131024 R2900/G LOADER DAILY SERVICE            | 20140102 |
| 100-LD-020 | 100-LD-020 DAILY SERVICE            | 20131023 R2900/G LOADER DAILY SERVICE            | 20131029 |
| 100-LD-020 | oil leak ride control               | 20131021 oil leak ride control                   | 20131021 |
| 100-LD-020 | flat battery                        | 20131021 flat battery                            | 20131021 |
| 100-LD-020 | 100-LD-020 DAILY SERVICE            | 20131016 R2900/G LOADER DAILY SERVICE            | 20131024 |
| 100-LD-020 | replace switch on seat              | 20131010 replace switch on seat                  | 20131017 |
| 100-LD-020 | replace pos 2                       | 20131009 replace pos 2                           | 20131017 |
| 100-LD-020 | 100-LD-020 DAILY SERVICE            | 20131009 R2900/G LOADER DAILY SERVICE            | 20131017 |
| 100-LD-020 | 100-LD-020 DAILY SERVICE            | 20131002 R2900/G LOADER DAILY SERVICE            | 20131010 |
| 100-LD-020 | 100-LD-020 HOUR BASED SERVICE       | 20130929 250HR SERVICE                           | 20131001 |
| 100-LD-020 | BOOM LIGHTS COMING ON AND OFF       | 20130926 BOOM LIGHTS COMING ON AND OFF           | 20131009 |
| 100-LD-020 | 100-LD-020 DAILY SERVICE            | 20130925 R2900/G LOADER DAILY SERVICE            | 20131010 |
| 100-LD-020 | Replace blown tilt cylinder hose    | 20130919 Replace blown tilt cylinder hose        | 20131009 |
| 100-LD-020 | 100-LD-020 DAILY SERVICE            | 20130911 R2900/G LOADER DAILY SERVICE            | 20131009 |
| 100-LD-020 | 100-LD-020 HOUR BASED SERVICE       | 20130906 500HR SERVICE                           | 20130924 |
| 100-LD-020 | 100-LD-020 DAILY SERVICE            | 20130904 R2900/G LOADER DAILY SERVICE            | 20131001 |
| 100-LD-020 | REPLACE POS 1 TYRE                  | 20130829 LABOUR HIRE WESTRAC 29.08.2013          | 0        |
| 100-LD-020 | REPLACE POS 1 TYRE                  | 20130829 REPLACE POS 1 TYRE                      | 20130926 |
| 100-LD-020 | 100-LD-020 DAILY SERVICE            | 20130828 R2900/G LOADER DAILY SERVICE            | 20130925 |
| 100-LD-020 | REPLACE RH BUCKET TOOTH             | 20130826 REPLACE RH BUCKET TOOTH                 | 20130828 |
| 100-LD-020 | 100-LD-020 DAILY SERVICE            | 20130821 R2900/G LOADER DAILY SERVICE            | 20130924 |
| 100-LD-020 | 100-LD-020 DAILY SERVICE            | 20130814 R2900/G LOADER DAILY SERVICE            | 20130828 |

|            |  |          |  |          |
|------------|--|----------|--|----------|
| 100-LD-020 | replace engine oil and filter (bad sampl | 20130813 | replace engine oil and filter (bad sampl | 20130925 |
| 100-LD-020 | Noise in driveline                       | 20130812 | Noise in driveline                       | 20130816 |
| 100-LD-020 | fit window & bonet straps                | 20130809 | fit window & bonet straps                | 20130816 |
| 100-LD-020 | 100-LD-020 DAILY SERVICE                 | 20130807 | R2900/G LOADER DAILY SERVICE             | 20131001 |
| 100-LD-020 | 100-LD-020 DAILY SERVICE                 | 20130806 | R2900/G LOADER DAILY SERVICE             | 20131009 |
| 100-LD-020 | 100-LD-020 HOUR BASED SERVICE            | 20130805 | 250HR SERVICE                            | 20130821 |
| 100-LD-020 | 100-LD-020 DAILY SERVICE                 | 20130731 | R2900/G LOADER DAILY SERVICE             | 20130816 |
| 100-LD-020 | 100-LD-020 DAILY SERVICE                 | 20130724 | R2900/G LOADER DAILY SERVICE             | 20131001 |
| 100-LD-020 | 100-LD-020 DAILY SERVICE                 | 20130710 | R2900/G LOADER DAILY SERVICE             | 20130730 |
| 100-LD-020 | engine starts but wont keep running      | 20130709 | engine starts but wont keep running      | 20130730 |
| 100-LD-020 | 100-LD-020 DAILY SERVICE                 | 20130703 | R2900/G LOADER DAILY SERVICE             | 20130729 |
| 100-LD-020 | 100-LD-020 HOUR BASED SERVICE            | 20130702 | 1000HR SERVICE                           | 20130711 |
| 100-LD-020 | 100-LD-020 DAILY SERVICE                 | 20130626 | R2900/G LOADER DAILY SERVICE             | 20130729 |
| 100-LD-020 | 100-LD-020 DAILY SERVICE                 | 20130626 | R2900/G LOADER DAILY SERVICE             | 20131001 |
| 100-LD-020 | blown hose to ride control               | 20130623 | blown hose to ride control               | 20130628 |
| 100-LD-020 | 100-LD-020 DAILY SERVICE                 | 20130619 | R2900/G LOADER DAILY SERVICE             | 20130703 |
| 100-LD-020 | 100-LD-020 HOUR BASED SERVICE            | 20130615 | 250HR SERVICE                            | 20130627 |
| 100-LD-020 | 100-LD-020 DAILY SERVICE                 | 20130612 | R2900/G LOADER DAILY SERVICE             | 20130627 |
| 100-LD-020 | REPLACE MIDDLE SIX BUCKET TEETH          | 20130606 | REPLACE MIDDLE SIX BUCKET TEETH          | 20130613 |
| 100-LD-020 | 100-LD-020 DAILY SERVICE                 | 20130605 | R2900/G LOADER DAILY SERVICE             | 20130613 |
| 100-LD-020 | flat tyre lhf                            | 20130603 | flat tyre lhf                            | 20130613 |
| 100-LD-020 | 100-LD-020 DAILY SERVICE                 | 20130529 | R2900/G LOADER DAILY SERVICE             | 20130614 |
| 100-LD-020 | hyd oil leak                             | 20130527 | hyd oil leak                             | 20130613 |
| 100-LD-020 | Replace blown tilt hose                  | 20130527 | Replace blown tilt hose                  | 20130613 |
| 100-LD-020 | Replace broken corner G.E.T.             | 20130523 | Replace broken corner G.E.T.             | 20130613 |
| 100-LD-020 | 100-LD-020 DAILY SERVICE                 | 20130522 | R2900/G LOADER DAILY SERVICE             | 20130613 |
| 100-LD-020 | LD 20 - RCT 6MTHLY SERVICE Quote R35307  | 20130516 | LD 20 - RCT 6MTHLY SERVICE Quote R35307  | 20131024 |
| 100-LD-020 | 100-LD-020 DAILY SERVICE                 | 20130515 | R2900/G LOADER DAILY SERVICE             | 20130611 |
| 100-LD-020 | 100-LD-020 HOUR BASED SERVICE            | 20130510 | 500HR SERVICE                            | 20130528 |
| 100-LD-020 | 100-LD-020 DAILY SERVICE                 | 20130508 | R2900/G LOADER DAILY SERVICE             | 20130520 |
| 100-LD-020 | alarm and light flashing p brake on      | 20130507 | alarm and light flashing p brake on      | 20130515 |
| 100-LD-020 | replace blown tilt hose                  | 20130507 | replace blown tilt hose                  | 20130613 |
| 100-LD-020 | change pos 1& 2                          | 20130503 | change pos 1& 2                          | 20130603 |
| 100-LD-020 | 100-LD-020 DAILY SERVICE                 | 20130501 | R2900/G LOADER DAILY SERVICE             | 20130527 |
| 100-LD-020 | 100-LD-020 DAILY SERVICE                 | 20130424 | R2900/G LOADER DAILY SERVICE             | 20130527 |
| 100-LD-020 | park brake won't release. Brake charge p | 20130422 | parkbrake won't release. Brake charge pu | 20130516 |
| 100-LD-020 | Replace steer pump, trans charge pump    | 20130422 | Replace steer pump, trans charge pump    | 20130516 |
| 100-LD-020 | REPAIR HYDRAULIC OIL LEAK                | 20130419 | REPAIR HYDRAULIC OIL LEAK                | 20130515 |
| 100-LD-020 | no brake pressure                        | 20130419 | no brake pressure                        | 20130515 |
| 100-LD-020 | 100-LD-020 DAILY SERVICE                 | 20130417 | R2900/G LOADER DAILY SERVICE             | 20130515 |
| 100-LD-020 | REPLACE R/H BUCKET TOOTH                 | 20130417 | REPLACE R/H BUCKET TOOTH                 | 20130516 |
| 100-LD-020 | Replace broken transmission sightglass   | 20130416 | Replace broken transmission sightglass   | 20130516 |
| 100-LD-020 | 100-LD-020 DAILY SERVICE                 | 20130410 | R2900/G LOADER DAILY SERVICE             | 20130516 |
| 100-LD-020 | LOADER 250 HOUR SERVICE                  | 20130408 | LOADER 250 HOUR SERVICE                  | 20130516 |
| 100-LD-020 | 100-LD-020 DAILY SERVICE                 | 20130403 | R2900/G LOADER DAILY SERVICE             | 20130627 |
| 100-LD-020 | Park brake stuck on                      | 20130330 | Park brake stuck on                      | 20130530 |
| 100-LD-020 | 100-LD-020 DAILY SERVICE                 | 20130327 | R2900/G LOADER DAILY SERVICE             | 20130528 |
| 100-LD-020 | 100-LD-020 DAILY SERVICE                 | 20130327 | LABOUR HIRE 2-3/4/2013 DYLAN/CAMERON     | 0        |
| 100-LD-020 | 100-LD-020 DAILY SERVICE                 | 20130316 | R2900/G LOADER DAILY SERVICE             | 20130529 |
| 100-LD-020 | ACCELERATOR PIVOT PIN MISSING            | 20130314 | ACCELERATOR PIVOT PIN MISSING            | 20130520 |
| 100-LD-020 | 100-LD-020 DAILY SERVICE                 | 20130313 | R2900/G LOADER DAILY SERVICE             | 20130517 |
| 100-LD-020 | replace u/s radio truck 20               | 0        | replace u/s radio truck 20               | 0        |
| 100-LD-020 | OSR2482 QUOTE TO REPAIR/REPLACE LOADER T | 0        | OSR2482 QUOTE TO REPAIR/REPLACE LOADER T | 0        |
| 100-LD-020 | SLEEVES AND GUARD HOSE 9000L WKSP 290513 | 0        | SLEEVES AND GUARD HOSE 9000L WSH 290513  | 0        |
| 100-LD-020 | REPLACE STEERING AND HYD PUMP            | 0        | REPLACE STEERING AND HYD PUMP            | 0        |
| 100-LD-020 | SUPPLY TIRON LOADER TYRE -TRIAL PGM153   | 0        | SUPPLY TIRON LOADER TYRE -TRIAL PGM153   | 0        |
| 100-LD-020 | 630 LEVEL BOLTS RESTOCK 220513           | 0        | 630 LEVEL BOLTS RESTOCK 220513           | 0        |
| 100-LD-020 | LD20 RCT service                         | 0        | LD20 - RCT 6 mthly Service March 14      | 0        |
| 100-LD-020 | LD20 RCT service                         | 0        | LD20 - RCT 6mthly Service Dec 13         | 0        |
| 100-LD-020 | OSR 13245 REPAIR PGM 058 LHD TYRE        | 0        | OSR 13245 REPAIR PGM 058 LHD TYRE        | 0        |
| 100-LD-020 | LD20 RCT service                         | 0        | LD20 RCT service                         | 0        |
| 100-LD-020 | 630 LEVEL BOLTS RESTOCK 260813           | 0        | 630 LEVEL BOLTS RESTOCK 260813           | 0        |
| 100-LD-020 | 9000 level bolt restock 040613           | 0        | 9000 level bolt restock 040613           | 0        |
| 100-LD-020 | 35gm antiseize to trial with fitters     | 0        | 35gm antiseize to trial with fitters     | 0        |
| 100-LD-020 | FIRE SUPPRESSION TESTING                 | 0        | 6 MTH FIRE SUPPRESSION TESTING FX-5752   | 0        |
| 100-LD-020 | R&R RH CORNER BUCKET TOOTH               | 0        | R&R RH CORNER BUCKET TOOTH               | 0        |
| 100-LD-020 | 630 LEVEL BOLTS RESTOCK 181113           | 0        | 630 LEVEL BOLTS RESTOCK 181113           | 0        |
| 100-LD-020 | R&R BATTERIES                            | 0        | R&R BATTERIES                            | 0        |
| 100-LD-020 | LD21RCT service                          | 0        | LD21 - RCT 6 mthly Service March 14      | 0        |

|            |  |         |  |   |
|------------|--|---------|--|---|
| 100-LD-020 | SAMPLE ENGINE OIL AT 2842 HRS            | 0       | SAMPLE ENGINE OIL AT 2842 HRS            | 0 |
| 100-LD-020 | LD21RCT service                          | 0       | LD21RCT service                          | 0 |
| 100-LD-020 | LD21RCT service                          | 0       | LD21 - RCT 6mthly Service Dec 13         | 0 |
| 100-LD-020 | 9000 level bolt restock121213            | 0       | 9000 level bolt restock121213            | 0 |
| 100-LD-020 | 6 Monthly Loader Remote Service          | 0       | 6 Monthly Loader Remote Service          | 0 |
| 100-LD-020 | 100-LD-020 HOUR BASED SERVICE            | 0       | 250HR SERVICE                            | 0 |
| 100-LD-020 | WIND SHROUD FOR BUCKET LOADER 20         | 0       | WIND SHROUD FOR BUCKET LOADER 20         | 0 |
| 100-LD-020 | 100-LD-020 DAILY SERVICE                 | 0       | R2900/G LOADER DAILY SERVICE             | 0 |
| 100-LD-020 | fit cheek liners                         | 0       | fit cheek liners                         | 0 |
| 100-LD-020 | Replace both corner G.E.T                | 0       | Replace both corner G.E.T                | 0 |
| 100-LD-020 | 3 MONTHLY REMOTE CONTROL SERVICING       | 0       | 3 MONTHLY REMOTE CONTROL SERVICING       | 0 |
| 100-LD-020 | 6 MONTHLY FIRE SUPPRESSION TESTING       | 0       | 6 MONTHLY FIRE SUPPRESSION TESTING       | 0 |
| 100-LD-020 | LIFT CYLINDERS AND TILT CYLINDERS TO CHE | 0       | LIFT CYLINDERS CREEPING                  | 0 |
| 100-LD-020 |  | 4044415 | replace light on boom                    | 0 |
| 100-LD-020 | pos 4 tyre                               |         | pos 4 tyre                               | 0 |
| 100-LD-020 | 6 MONTHLY FIRE SUPPRESSION TESTING       |         | FIRE SUPPRESSION TESTING LD-20 FX-7825   | 0 |
| 100-LD-020 | OSR 14082 REPAIR PGM 109 & 114           |         | OSR 14081 REPAIR PGM 109 & 114           | 0 |
| 100-LD-020 | REPLACE DOG BONE AND TILT CYL            |         | REPLACE DOG BONE AND TILT CYL            | 0 |
| 100-LD-020 | REPLACE MISSING ARTICULATION PIN         |         | REPLACE MISSING ARTICULATION PIN         | 0 |
| 100-LD-020 | Replace oil level sensor                 |         | Replace oil level sensor                 | 0 |
| 100-LD-020 | Replace leaking Axle Cooler              |         | Replace leaking Axle Cooler              | 0 |
| 100-LD-020 | Ride Control Solenoid may need replacing |         | Ride Control Solenoid may need replacing | 0 |
| 100-LD-020 | LOADER 20 STARTING PROBLEM               |         | LOADER 20 STARTING PROBLEM               | 0 |
| 100-LD-020 | 3 MONTHLY RCT SERVICE                    |         | 3 MONTHLY RCT SERVICE                    | 0 |
| 100-LD-020 | OSR 15449 TYRE REPAIR                    |         | OSR 15449 TYRE REPAIR                    | 0 |
| 100-LD-020 | BLOWN STEERING HOSES                     |         | BLOWN STEERING HOSES                     | 0 |
| 100-LD-020 | REPLACE WORN TRANNY FILTER HOSE          |         | REPLACE WORN TRANNY FILTER HOSE          | 0 |
| 100-LD-020 | POS 2 BRAKE PACK LEAKING                 |         | POS 2 BRAKE PACK LEAKING                 | 0 |
| 100-LD-020 | camera fault 9820                        |         | camera fault 9820                        | 0 |
| 100-LD-020 | WESTRAC WARRANTY REPAIRS 6925 HRS        |         | NEILS TRANSPORT LD-20 WESTRAC - PEAK     | 0 |
| 100-LD-020 | WESTRAC WARRANTY REPAIRS 6925 HRS        |         | WESTRAC WARRANTY REPAIRS 6925 HRS        | 0 |
| 100-LD-020 | TILT CYLINDER HYDRAULIC HOSE LEAKING     |         | TILT CYLINDER HYDRAULIC HOSE LEAKING     | 0 |
| 100-LD-020 | REPAIR LIGHT ON LOADER                   |         | REPAIR LIGHT ON LOADER                   | 0 |
| 100-LD-020 | WESTRAC REPLACE POS 1 WHEELEND           |         | WESTRAC REPLACE POS 1 WHEELEND           | 0 |
| 100-LD-020 | WESTRAC REPLACE POS 1 WHEELEND           |         | WESTRAC LABOUR REMOVE AND REPLACE        | 0 |
| 100-LD-020 | TRANSPORT LOADER TO PEAK                 |         | TRANSPORT LOADER TO PEAK                 | 0 |
| 100-LD-020 | WESTRAC WARRANTY REPAIRS 6925 HRS        |         | PRISKS TRANSPORT LD-20 PEAK-WESTRAC      | 0 |
| 100-LD-020 | LIFT CYLINDER REPAIRS REJECTED WARRANTY  |         | LIFT CYLINDER REPAIRS REJECTED WARRANTY  | 0 |
| 100-LD-020 | replace hand piece 8790                  |         | replace hand piece 8790                  | 0 |
| 100-LD-020 | WESTRAC WARRANTY REPAIRS 6925 HRS        |         | PRISKS TRANSPORT LD-20 WESTRAC - PEAK    | 0 |
| 100-LD-020 | WESTRAC WARRANTY REPAIRS 6925 HRS        |         | COSTS NOT COVERED BY WARRANTY S108292    | 0 |
| 100-LD-020 | LOADER REMOTE CONTROL SERVICE            |         | 3 MTHLY LOADER REMOTE ELEC SERVICE       | 0 |
| 100-LD-020 | 9065 line a sight remotes                |         | 9065 line a sight remotes                | 0 |
| 100-LD-020 | HANDRAILS SMASHED THROUGH REAR WINDOW    |         | HANDRAILS SMASHED THROUGH REAR WINDOW    | 0 |
| 100-LD-020 | REPAIR EXHAUST LEAK                      |         | REPAIR EXHAUST LEAK                      | 0 |
| 100-LD-020 | POS 2 BRAKE PACK LEAKING                 |         | WESTRAC LABOUR REMOVE AND REPLACE        | 0 |
| 100-LD-020 | 100-LD-020 DAILY SERVICE                 |         | R2900/G LOADER DAILY SERVICE             | 0 |
| 100-LD-020 | LOADER REMOTE CONTROL SERVICE            |         | 3 MTHLY LOADER REMOTE ELEC SERVICE       | 0 |
| 100-LD-020 | 100-LD-020 DAILY SERVICE                 |         | R2900/G LOADER DAILY SERVICE             | 0 |
| 100-LD-020 | 100-LD-020 DAILY SERVICE                 |         | R2900/G LOADER DAILY SERVICE             | 0 |
| 100-LD-020 | OSR-14656 QUOTE TO REPAIR TYRE           |         | OSR-14656 QUOTE TO REPAIR TYRE           | 0 |
| 100-LD-020 | LOADER REMOTE CONTROL SERVICE            |         | 3 MTHLY LOADER REMOTE ELEC SERVICE       | 0 |
| 100-LD-020 | repair 2-way radio aerial                |         | repair 2-way radio aerial                | 0 |
| 100-LD-020 | ARIAL DAMAGE TWO-WAY                     |         | ARIAL DAMAGE TWO-WAY                     | 0 |
| 100-LD-020 | 100-LD-020 DAILY SERVICE                 |         | R2900/G LOADER DAILY SERVICE             | 0 |
| 100-LD-020 | LOADER REMOTE CONTROL SERVICE            |         | 3 MTHLY LOADER REMOTE ELEC SERVICE       | 0 |
| 100-LD-020 | 100-LD-020 DAILY SERVICE                 |         | R2900/G LOADER DAILY SERVICE             | 0 |
| 100-LD-020 | REPLACE STEERING CYLINDERS               |         | REPLACE STEERING CYLINDERS               | 0 |
| 100-LD-020 | 6 MONTHLY FIRE SUPPRESSION TESTING       |         | 6 MONTHLY FIRE SUPPRESSION TESTING       | 0 |
| 100-LD-020 | 6 MONTHLY FIRE SUPPRESSION TESTING       |         | W.F.S FIRE SUPPRESSION LD 20 FX10159     | 0 |
| 100-LD-020 | pilot valve u/s                          |         | pilot valve u/s                          | 0 |
| 100-LD-020 | 250HR CAT LOADER SERVICE                 |         | 250HR LOADER MECH SERVICE                | 0 |
| 100-LD-020 | 100-LD-020 DAILY SERVICE                 |         | CAT R2900G DAILY SERVICE                 | 0 |
| 100-LD-020 | replace antenna on ld 20                 |         | replace antenna on ld 20                 | 0 |
| 100-LD-020 | LOADER REMOTE CONTROL SERVICE            |         | 3 MTHLY LOADER REMOTE ELEC SERVICE       | 0 |
| 100-LD-020 | 6 MONTHLY FIRE SUPPRESSION TESTING       |         | 6 MONTHLY FIRE SUPPRESSION TESTING       | 0 |
| 100-LD-020 | 6 MONTHLY FIRE SUPPRESSION TESTING       |         | W.F.S - FIRE SUPPRESSION LD-20 - 0256    | 0 |
| 100-LD-020 | 6 MONTHLY GAS TESTING                    |         | 6 MONTHLY GAS TESTING PM2079             | 0 |
| 100-LD-020 | LOADER REMOTE CONTROL SERVICE            |         | 3 MTHLY LOADER REMOTE ELEC SERVICE       | 0 |











|                |  |  |   |
|----------------|--|--|---|
| 100-LD-020     | 6 MONTHLY GAS TESTING                    | 0 6 MONTHLY GAS TESTING PM2079             | 0 |
| 100-LD-020     | 100-LD-020 DAILY SERVICE                 | 0 CAT R2900G DAILY SERVICE THURSDAY        | 0 |
| 100-LD-020     | 100-LD-020 DAILY SERVICE                 | 0 CAT R2900G DAILY SERVICE SUNDAY          | 0 |
| 100-LD-020     | 100-LD-020 DAILY SERVICE                 | 0 CAT R2900G DAILY SERVICE SUNDAY          | 0 |
| 100-LD-020     | 100-LD-020 DAILY SERVICE                 | 0 CAT R2900G DAILY SERVICE THURSDAY        | 0 |
| 100-LD-020     | 250HR CAT LOADER SERVICE                 | 0 250HR R2900G MECH SERVICE                | 0 |
| 100-LD-020     | 100-LD-020 DAILY SERVICE                 | 0 CAT R2900G DAILY SERVICE THURSDAY        | 0 |
| 100-LD-020     | 100-LD-020 DAILY SERVICE                 | 0 CAT R2900G DAILY SERVICE SATURDAY        | 0 |
| 100-LD-020     | 100-LD-020 DAILY SERVICE                 | 0 CAT R2900G DAILY SERVICE MONDAY          | 0 |
| 100-LD-020     | 100-LD-020 DAILY SERVICE                 | 0 CAT R2900G DAILY SERVICE FRIDAY          | 0 |
| 100-LD-020     | 100-LD-020 DAILY SERVICE                 | 0 CAT R2900G DAILY SERVICE FRIDAY          | 0 |
| 100-LD-020     | 100-LD-020 DAILY SERVICE                 | 0 CAT R2900G DAILY SERVICE MONDAY          | 0 |
| 100-LD-020     | 500HR CAT R2900G EMISSIONS TESTING       | 0 500HR CAT R2900G EMISSIONS TESTING       | 0 |
| 100-LD-020     | 100-LD-020 DAILY SERVICE                 | 0 CAT R2900G DAILY SERVICE THURSDAY        | 0 |
| 100-LD-020     | 100-LD-020 DAILY SERVICE                 | 0 CAT R2900G DAILY SERVICE TUESDAY         | 0 |
| 100-LD-020     | 100-LD-020 DAILY SERVICE                 | 0 CAT R2900G DAILY SERVICE WEDNESDAY       | 0 |
| 100-LD-020     | 100-LD-020 DAILY SERVICE                 | 0 CAT R2900G DAILY SERVICE TUESDAY         | 0 |
| 100-LD-020     | 100-LD-020 DAILY SERVICE                 | 0 CAT R2900G DAILY SERVICE WEDNESDAY       | 0 |
| 100-LD-020     | 250HR CAT LOADER SERVICE                 | 0 250HR R2900G MECH SERVICE                | 0 |
| 100-LD-020     | 100-LD-020 DAILY SERVICE                 | 0 CAT R2900G DAILY SERVICE SUNDAY          | 0 |
| 100-LD-020     | 100-LD-020 DAILY SERVICE                 | 0 CAT R2900G DAILY SERVICE SATURDAY        | 0 |
| 100-LD-020     | 100-LD-020 DAILY SERVICE                 | 0 CAT R2900G DAILY SERVICE SUNDAY          | 0 |
| 100-LD-020-DRV | REPLACE ALL 4 TYRES                      | 0 REPLACE ALL 4 TYRES                      | 0 |
| 100-LD-020-DRV | CLUTCH MATERIAL FOUND IN TRANNY SCREEN   | 0 CLUTCH MATERIAL FOUND IN TRANNY SCREEN   | 0 |
| 100-LD-020-DRV | NO DRIVE                                 | 0 NO DRIVE                                 | 0 |
| 100-LD-020-DRV | SEND WHEELEND FOR REBUILD                | 0 SEND WHEELEND FOR REBUILD                | 0 |
| 100-LD-020-DRV | S.O.S SAMPLE: "C" FRONT AXLE ASSEMBLY    | 0 RE-SAMPLE OIL TO CONFIRM SAMPLE          | 0 |
| 100-LD-020-DRV | S.O.S SAMPLE: "C" FRONT AXLE ASSEMBLY    | 0 CLEAN MAGNETIC FILTERS                   | 0 |
| 100-LD-020-DRV | S.O.S SAMPLE: "C" FRONT AXLE ASSEMBLY    | 0 REPLACE AXLE COOLING FILTERS             | 0 |
| 100-LD-020-DRV | PJL - REPAIR REAR AXLE TRUNNIONS         | 0 PJL - REPAIR REAR AXLE TRUNNIONS         | 0 |
| 100-LD-020-DRV | REPLACE REAR TYRES                       | 0 REPLACE REAR TYRES                       | 0 |
| 100-LD-020-ELC | NOT CHANGING DOWN GEARS                  | 0 NOT CHANGING DOWN GEARS                  | 0 |
| 100-LD-020-ELC | replaced transmitter/camera on LD20      | 0 replaced transmitter/camera on LD20      | 0 |
| 100-LD-020-ELC | REPLACE IGNITION SWITCH                  | 0 REPLACE IGNITION SWITCH                  | 0 |
| 100-LD-020-ELC | Seat not pumping up                      | 0 Seat not pumping up                      | 0 |
| 100-LD-020-ELC | Front lights not working on remotes      | 0 Front lights not working on remotes      | 0 |
| 100-LD-020-ELC | NO AIR CON                               | 0 NO AIR CON                               | 0 |
| 100-LD-020-ELC | R&R faulty seat                          | 0 R&R faulty seat                          | 0 |
| 100-LD-020-ELC | Flat Batteries                           | 0 Flat Batteries                           | 0 |
| 100-LD-020-ELC | REPLACE JOYSTICK ASSEMBLY                | 0 REPLACE JOYSTICK ASSEMBLY                | 0 |
| 100-LD-020-ELC | ADDITIONAL VIMS CHARGES                  | 0 ADDITIONAL VIMS CHARGES                  | 0 |
| 100-LD-020-ELC | WIPER KNOB MISSING                       | 0 REPLACE WIPER KNOB                       | 0 |
| 100-LD-020-ELC | CHECCK RIDE CONTROL OPERATION            | 0 CHECK RIDE CONTROL OPERATION             | 0 |
| 100-LD-020-ENG | FAULTY COOLANT FLOW SWITCH               | 0 FAULTY COOLANT FLOW SWITCH               | 0 |
| 100-LD-020-ENG | ADJUST ENGINE VALVE LASH                 | 0 ADJUST ENGINE VALVE LASH                 | 0 |
| 100-LD-020-ENG | exhaust come off turbo                   | 0 exhaust come off turbo                   | 0 |
| 100-LD-020-ENG | NEED TO CHANGE ENGINE OIL                | 0 NEED TO CHANGE ENGINE OIL                | 0 |
| 100-LD-020-ENG | LEAKING OIL FROM HEAD GASKET             | 0 LEAKING OIL FROM HEAD GASKET             | 0 |
| 100-LD-020-ENG | LEAKING OIL FROM HEAD GASKET             | 0 PJL - REPLACE HEAD GASKET LD-20 - 21784  | 0 |
| 100-LD-020-ENG | LEAKING OIL FROM HEAD GASKET             | 0 B.F.S - TRANSPORT LD-20 TO & FROM PJL    | 0 |
| 100-LD-020-ENG | PRESSURE CLEAN ENGINE BAY TRAM TO SURFAC | 0 PRESSURE CLEAN ENGINE BAY TRAM TO SURFAC | 0 |
| 100-LD-020-HYD | hyd leak                                 | 0 hyd leak                                 | 0 |
| 100-LD-020-HYD | REPLACD FAULTY RIDE CONTRL COIL          | 0 REPLACD FAULTY RIDE CONTRL COIL          | 0 |
| 100-LD-020-HYD | REPLACE TILT HOSES, BUCKET STOPS AND HYD | 0 REPLACE TILT HOSES, BUCKET STOPS AND HYD | 0 |
| 100-LD-020-HYD | STEERING CONTROL COVER MISSING           | 0 STEERING CONTROL COVER MISSING           | 0 |
| 100-LD-020-HYD | LIFT & TILT CYLINDERS CREEPING           | 0 TEST LIFT & TILT CYLINDERS FOR CREEPING  | 0 |
| 100-LD-020-HYD | blown out test line                      | 0 blown out test line                      | 0 |
| 100-LD-020-HYD | LIFT CYLINDER LEAKING                    | 0 PJL - LIFT CYLINDER LD-20 WARRANTY       | 0 |
| 100-LD-020-STR | hyd leak                                 | 0 hyd leak                                 | 0 |
| 100-LD-020-STR | ster pins and bushes                     | 0 ster pins and bushes                     | 0 |
| 100-LD-020-STR | R&R bucket teeth                         | 0 R&R bucket teeth                         | 0 |
| 100-LD-020-STR | broken bolts                             | 0 broken bolts                             | 0 |
| 100-LD-020-STR | REPLACE TRUCK SEAT WITH LOADER SEAT      | 0 REPLACE TRUCK SEAT WITH LOADER SEAT      | 0 |
| 100-LD-020-STR | REPLACE TEBLET HOLDER & CHECK CHARGER    | 0 REPLACE TEBLET HOLDER & CHECK CHARGER    | 0 |
| 100-LD-020-STR | GREASE DOSER BLOCK MISSING               | 0 GREASE DOSER BLOCK MISSING               | 0 |
| 100-LD-020-STR | GREASE DOSER                             | 0 REPAIR GREASE DOSER L/H BOOM             | 0 |
| 100-LD-020-STR | REPLACE BOOM LOCKING PIN                 | 0 REPLACE BOOM LOCKING PIN                 | 0 |
| 100-LD-020-STR | FIT WHEEL CHOCKS AND HOLDERS             | 0 MOUNT WHEEL CHOCKS & BRACKETS            | 0 |
| 100-LD-020-STR | REPAIR BOLSTER                           | 0 REPAIR BOLSTER                           | 0 |

100-LD-020-STR REPLACE BUCKET TEETH  
100-LD-020-STR REPAIR / REPLACE HAND RAILS

0 REPLACE BUCKET TEETH & ASSOC. PARTS  
0 REPAIR / REPLACE HAND RAILS

0  
0

# R2900G

Underground  
Mining Loader



---

## Engine

|                         |                 |            |
|-------------------------|-----------------|------------|
| Engine Model            | Cat® C15 ACERT™ |            |
| Gross Power – SAE J1995 | 321/333 kW      | 430/447 hp |

---

## Operating Specifications

|                                |           |            |
|--------------------------------|-----------|------------|
| Nominal Payload Capacity       | 17 200 kg | 37,926 lb  |
| Gross Machine Operating Weight | 67 409 kg | 148,611 lb |

---

## Bucket Capacities

|                        |                    |                     |
|------------------------|--------------------|---------------------|
| Bucket Capacity – Std. | 7.2 m <sup>3</sup> | 9.4 yd <sup>3</sup> |
|------------------------|--------------------|---------------------|

## Engine

|                         |                |                       |
|-------------------------|----------------|-----------------------|
| Engine Model            | Cat C15 ACERT™ |                       |
| Rated Power             | 1900/1800 rpm  |                       |
| Gross Power – SAE J1995 | 321/333 kW     | 430/447 hp            |
| Net Power – SAE J1349   | 290/302 kW     | 389/405 hp            |
| Net Power – ISO 9249    | 288/300 kW     | 386/402 hp            |
| Net Power – 80/1269/EEC | 321/333 kW     | 430/447 hp            |
| Bore                    | 137.2 mm       | 5.4 in                |
| Stroke                  | 171.5 mm       | 6.8 in                |
| Displacement            | 15.2 L         | 927.9 in <sup>3</sup> |

- Power ratings apply at a rated speed of 1900/1800 rpm when tested under the reference conditions for the specified standard.
- Ratings based on SAE J1995 standard air conditions of 25° C (77° F) and 100 kPa (29.61 Hg) barometer. Power based on fuel having API gravity of 35 at 16° C (60° F) and an LHV of 42 780 kJ/kg (18,390 BTU/lb) when engine used at 30° C (86° F).
- No engine derating required up to 591 m (1,938 ft) altitude.
- Compliant with U.S. Environmental Protection Agency Tier 3 emissions standards.

## Operating Specifications

|   |           |            |
|---|-----------|------------|
| Nominal Payload Capacity                                | 17 200 kg | 37,926 lb  |
| Gross Machine Operating Weight                          | 67 409 kg | 148,611 lb |
| Static Tipping Load Straight Ahead Lift Arms Horizontal | 39 923 kg | 88,015 lb  |
| Static Tipping Load Full Turn Lift Arms Horizontal      | 34 069 kg | 75,109 lb  |
| Breakout Force (SAE)                                    | 27 346 kg | 60,298 lb  |

## Weights

|            |           |            |
|------------|-----------|------------|
| Empty      | 50 209 kg | 110,692 lb |
| Front Axle | 23 057 kg | 50,832 lb  |
| Rear Axle  | 27 152 kg | 59,860 lb  |
| Loaded     | 67 409 kg | 148,611 lb |
| Front Axle | 50 220 kg | 110,716 lb |
| Rear Axle  | 17 189 kg | 37,895 lb  |

## Transmission

|           |           |          |
|-----------|-----------|----------|
| Forward 1 | 5 km/h    | 3.1 mph  |
| Forward 2 | 8.8 km/h  | 5.5 mph  |
| Forward 3 | 15.2 km/h | 9.4 mph  |
| Forward 4 | 25.3 km/h | 15.7 mph |
| Reverse 1 | 6.2 km/h  | 3.9 mph  |
| Reverse 2 | 10.9 km/h | 6.8 mph  |
| Reverse 3 | 18.6 km/h | 11.6 mph |
| Reverse 4 | 26.4 km/h | 16.4 mph |

## Hydraulic Cycle Time

|                          |              |
|--------------------------|--------------|
| Raise                    | 9.2 Seconds  |
| Dump                     | 3.4 Seconds  |
| Lower, empty, float down | 3.1 Seconds  |
| Total Cycle Time         | 15.7 Seconds |

## Bucket Capacities

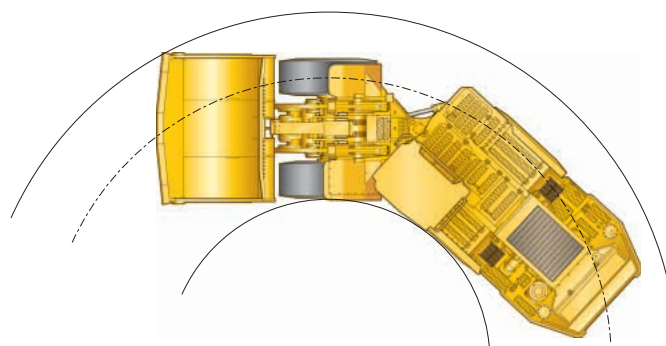
|                                  |                    |                      |
|----------------------------------|--------------------|----------------------|
| Bucket Capacity – Std.*          | 7.2 m <sup>3</sup> | 9.4 yd <sup>3</sup>  |
| Bucket Width (over cutting edge) | 3154 mm            | 124.2 in             |
| Bucket Capacity – Optional*      | 8.3 m <sup>3</sup> | 10.9 yd <sup>3</sup> |
| Bucket Capacity – Optional*      | 8.9 m <sup>3</sup> | 11.6 yd <sup>3</sup> |

\* High penetration bucket versions also available.

## Turning Dimensions

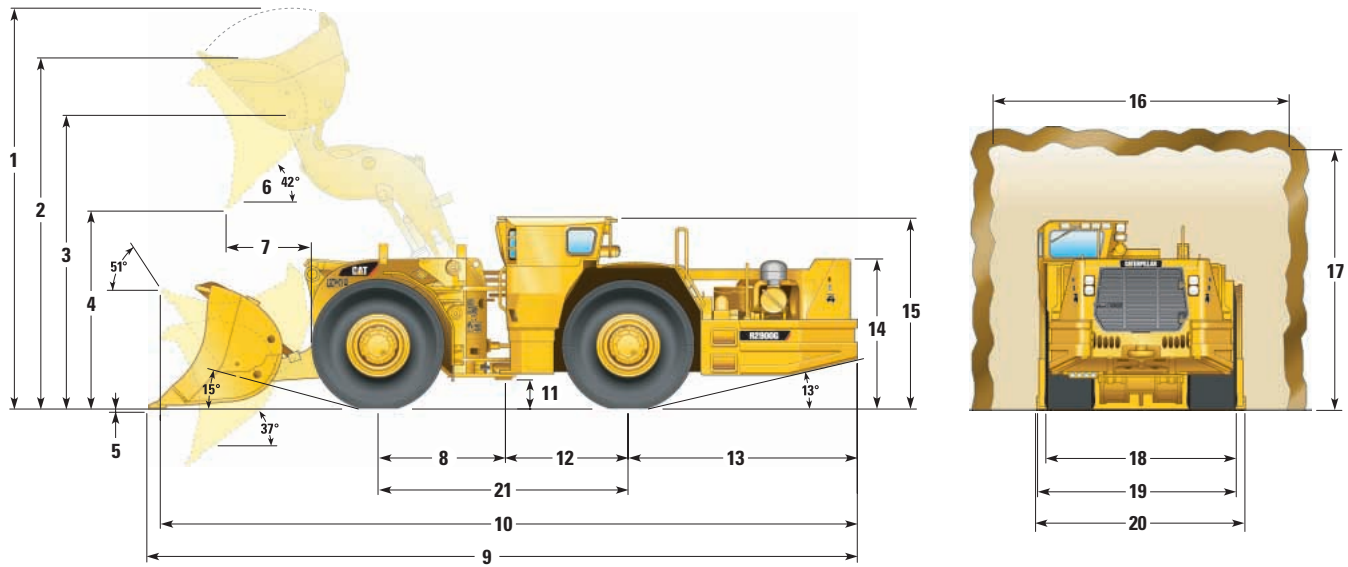
|                            |         |          |
|----------------------------|---------|----------|
| Outside Clearance Radius** | 7323 mm | 288.3 in |
| Inner Clearance Radius**   | 3383 mm | 133.2 in |
| Axle Oscillation           | 8°      |          |
| Articulation Angle         | 42.5°   |          |

\*\* Clearance dimensions are for reference only.



# Dimensions

All dimensions are approximate.



|  | 249-4899 (Standard Bucket)* |                        | 249-4892*          |                         | 249-4893*          |                         |
|--|-----------------------------|------------------------|--------------------|-------------------------|--------------------|-------------------------|
| Bucket capacity  | 7.2 m <sup>3</sup>          | (9.4 yd <sup>3</sup> ) | 8.3 m <sup>3</sup> | (10.9 yd <sup>3</sup> ) | 8.9 m <sup>3</sup> | (11.6 yd <sup>3</sup> ) |
| Bucket width over cutting edge                           | 3054 mm                     | (10 ft)                | 3154 mm            | (10 ft 4 in)            | 3354 mm            | (11 ft)                 |
| <b>1</b> Overall height – bucket raised                  | 6179 mm                     | (20 ft 3 in)           | 6232 mm            | (20 ft 6 in)            | 6232 mm            | (20 ft 6 in)            |
| <b>2</b> Maximum dump height                             | 5427 mm                     | (17 ft 10 in)          | 5427 mm            | (17 ft 10 in)           | 5427 mm            | (17 ft 10 in)           |
| <b>3</b> Bucket pin height at maximum lift               | 4539 mm                     | (14 ft 11 in)          | 4539 mm            | (14 ft 11 in)           | 4539 mm            | (14 ft 11 in)           |
| <b>4</b> Dump clearance at maximum lift                  | 2868 mm                     | (9 ft 5 in)            | 2735 mm            | (9 ft)                  | 2724 mm            | (8 ft 11 in)            |
| <b>5</b> Digging depth                                   | 52 mm                       | (2 in)                 | 65 mm              | (2.6 in)                | 65 mm              | (2.6 in)                |
| <b>6</b> Dump angle at maximum lift                      | 42°                         |                        | 42°                |                         | 42°                |                         |
| <b>7</b> Reach   | 1656 mm                     | (5 ft 5 in)            | 1803 mm            | (5 ft 11 in)            | 1817 mm            | (6 ft)                  |
| <b>8</b> Centerline of front axle to centerline of hitch | 1890 mm                     | (6 ft 2 in)            | 1890 mm            | (6 ft 2 in)             | 1890 mm            | (6 ft 2 in)             |
| <b>9</b> Overall length (digging)                        | 11 302 mm                   | (37 ft 1 in)           | 11 507 mm          | (37 ft 9 in)            | 11 525 mm          | (37 ft 10 in)           |
| <b>10</b> Overall length (tramming)                      | 10 949 mm                   | (35 ft 11 in)          | 11 073 mm          | (36 ft 4 in)            | 11 083 mm          | (36 ft 4 in)            |
| <b>11</b> Ground clearance                               | 465 mm                      | (1 ft 6 in)            | 465 mm             | (1 ft 6 in)             | 465 mm             | (1 ft 6 in)             |
| <b>12</b> Centerline of back axle to centerline of hitch | 1890 mm                     | (6 ft 2 in)            | 1890 mm            | (6 ft 2 in)             | 1890 mm            | (6 ft 2 in)             |
| <b>13</b> Length – rear axle to bumper                   | 3572 mm                     | (11 ft 9 in)           | 3572 mm            | (11 ft 9 in)            | 3572 mm            | (11 ft 9 in)            |
| <b>14</b> Height to top of hood                          | 2371 mm                     | (7 ft 9 in)            | 2371 mm            | (7 ft 9 in)             | 2371 mm            | (7 ft 9 in)             |
| <b>15</b> Height to top of ROPS                          | 2886 mm                     | (9 ft 6 in)            | 2886 mm            | (9 ft 6 in)             | 2886 mm            | (9 ft 6 in)             |
| <b>16</b> Tunnel clearance width**                       | 4500 mm                     | (14 ft 9 in)           | 4500 mm            | (14 ft 9 in)            | 4500 mm            | (14 ft 9 in)            |
| <b>17</b> Tunnel clearance height**                      | 4500 mm                     | (14 ft 9 in)           | 4500 mm            | (14 ft 9 in)            | 4500 mm            | (14 ft 9 in)            |
| <b>18</b> Overall tire width                             | 2898 mm                     | (9 ft 6 in)            | 2898 mm            | (9 ft 6 in)             | 2898 mm            | (9 ft 6 in)             |
| <b>19</b> Overall width excluding bucket                 | 3010 mm                     | (9 ft 10 in)           | 3010 mm            | (9 ft 10 in)            | 3010 mm            | (9 ft 10 in)            |
| <b>20</b> Overall width including bucket                 | 3176 mm                     | (10 ft 5 in)           | 3176 mm            | (10 ft 5 in)            | 3176 mm            | (10 ft 5 in)            |
| <b>21</b> Wheelbase                                      | 3780 mm                     | (12 ft 5 in)           | 3780 mm            | (12 ft 5 in)            | 3780 mm            | (12 ft 5 in)            |

\*Dimensions shown with standard material bucket sizes. High penetration bucket versions also available.

\*\*Clearance dimensions are for reference only.