



# NIFTY COPPER PTY LTD

## STRIP AND QUOTE HLX5T ROCKDRILL

### Sandvik Mining and Construction Pty Ltd Australia

Customer: NIFTY COPPER PTY LTD      Date: 09/10/2019      Job number: 7396941

Your STRIP AND QUOTE HLX5T ROCKDRILL: **HLX5T KIT**, S/No **R048431** arrived in our Kalgoorlie rebuild centre on the 3/10/2019 with 1033 hours.

The following parts were missing from the STRIP AND QUOTE HLX5T ROCKDRILL when it arrived; Shank.

**Strip down Inspection:**

The rockdrill was sent in for achieving its hours. Upon dismantling the rockdrill, only general wear and tear of components was found.

**Recommendations:**

**Machining required:**

**Reassemble Comments:**

Machining Required: Spacer Body and Flushing head.

Fixed Service Charge	\$ 1,932.00
Cost of recommended replacement parts	\$ 11,792.12
Cost of recommended machining repairs:	\$ 676.20
<b>Total cost of service and recommendations:</b>	<b>\$ 14,400.32</b>

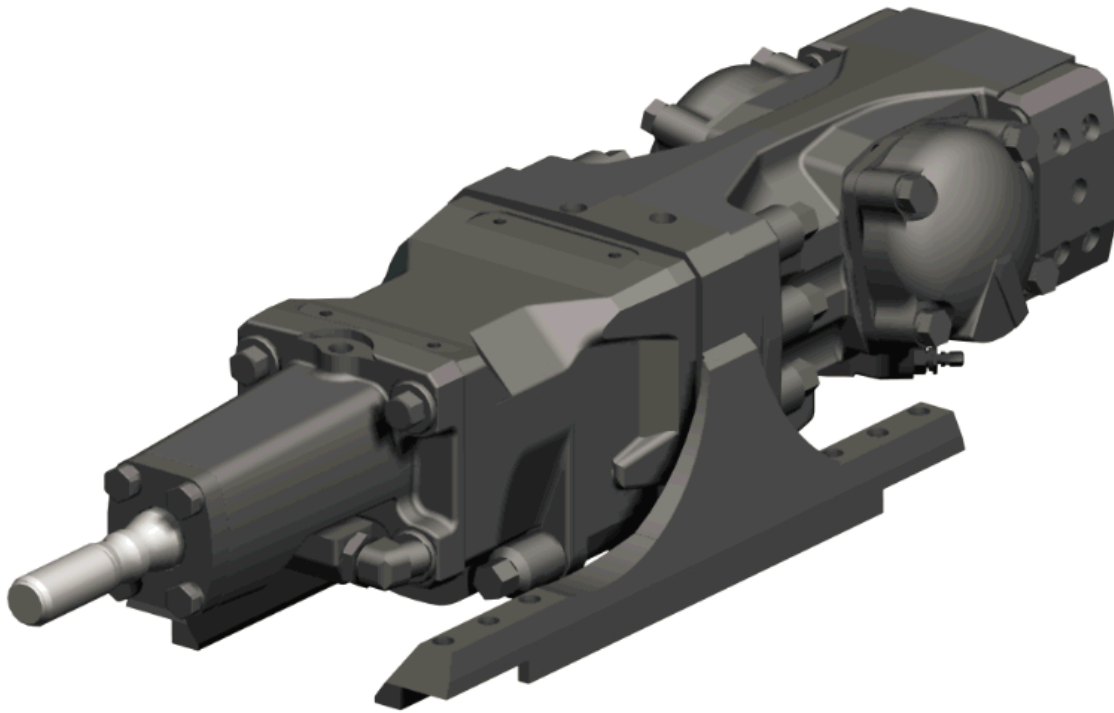
The attached report details the condition of your STRIP AND QUOTE HLX5T ROCKDRILL using the Sandvik Standard Reporting documentation used in our Sandvik repair facility. All images shown in this report will detail components requiring attention.

If you have any queries regarding this report, please contact

Name: Ben Rothen  
Phone: 0437 436 106  
Email: [ben.rothen@sandvik.com](mailto:ben.rothen@sandvik.com)

**Equipment**

---



**Condition on arrival**

**Comment**

**Last rebuilt by**  
Sandvik

**Picture 1**

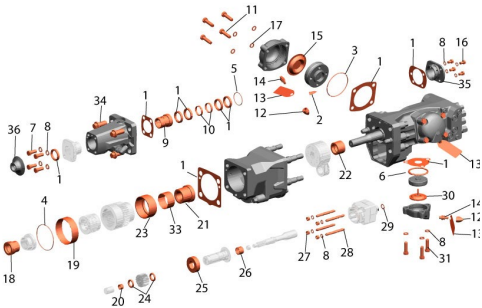


**Picture 2**



**ENDURANCE KIT**

<b>Parts</b>	<b>Condition Code Index</b>	4 - Damaged	8 - Contamination
	1 - Service Item	5 - Misalignment	9 - Scored
	2 - Missing	6 - Non OEM Parts	10 - Reuse
	3 - Worn beyond limits	7 - Lack of Lubrication	11 - Refer to Comments

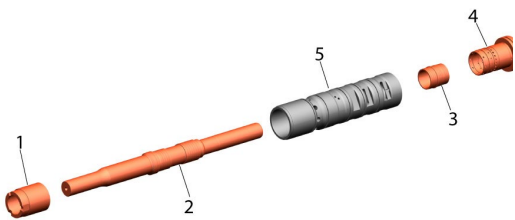


Ref.	Part Description	Qty	Cond. code	Comment
*	ENDURANCE KIT	1	1	



**PERCUSSION KIT**

<b>Parts</b>	<b>Condition Code Index</b>	4 - Damaged	8 - Contamination
1 - Service Item	5 - Misalignment	5 - Misalignment	9 - Scored
2 - Missing	6 - Non OEM Parts	6 - Non OEM Parts	10 - Reuse
3 - Worn beyond limits	7 - Lack of Lubrication	7 - Lack of Lubrication	11 - Refer to Comments



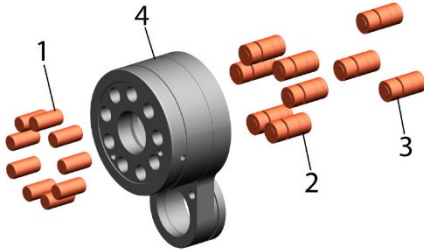
Ref.	Part Description	Qty	Cond. code	Comment
1	BEARING - INC PERCUSSION KIT	1	3	The front bush is starting to crack.

1 The front bush is starting to crack.



## STABILIZER KIT

Parts	Condition Code Index	4 - Damaged	8 - Contamination
	1 - Service Item	5 - Misalignment	9 - Scored
	2 - Missing	6 - Non OEM Parts	10 - Reuse
	3 - Worn beyond limits	7 - Lack of Lubrication	11 - Refer to Comments

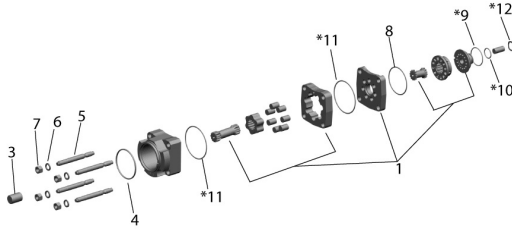


The spacer stabilizer piston bores are worn. Will replace the stabilizer pistons with the alternate type which has the seals locate higher in the bore.



## ROTATION MOTOR

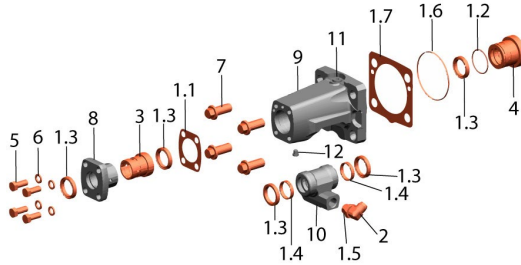
Parts	Condition Code Index	4 - Damaged	8 - Contamination
	1 - Service Item	5 - Misalignment	9 - Scored
	2 - Missing	6 - Non OEM Parts	10 - Reuse
	3 - Worn beyond limits	7 - Lack of Lubrication	11 - Refer to Comments



80cc motor fitted. The motor internals are in fair condition and will reuse again.

## FLUSHING KIT D45

<b>Parts</b>	<b>Condition Code Index</b>	4 - Damaged	8 - Contamination
	1 - Service Item	5 - Misalignment	9 - Scored
	2 - Missing	6 - Non OEM Parts	10 - Reuse
	3 - Worn beyond limits	7 - Lack of Lubrication	11 - Refer to Comments



Ref.	Part Description	Qty	Cond. code	Comment
*	FLUSHING HEAD REBUILD KIT - INCLUDES BG0800869	1	1	
8	COVER, FRONT	1	1	
10	HOUSING, SEAL WF D45	1	1	

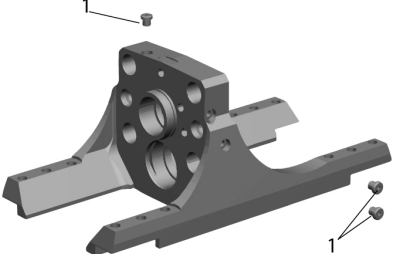
The flushing head requires repairs (build and machine) to the worn seal carrier land to extend its service life



**SPACER**

Parts	Condition Code Index	4 - Damaged	8 - Contamination
	1 - Service Item	5 - Misalignment	9 - Scored
	2 - Missing	6 - Non OEM Parts	10 - Reuse
	3 - Worn beyond limits	7 - Lack of Lubrication	11 - Refer to Comments

Ref.	Part Description	Qty	Cond. code	Comment
1	PLUG	3	1	



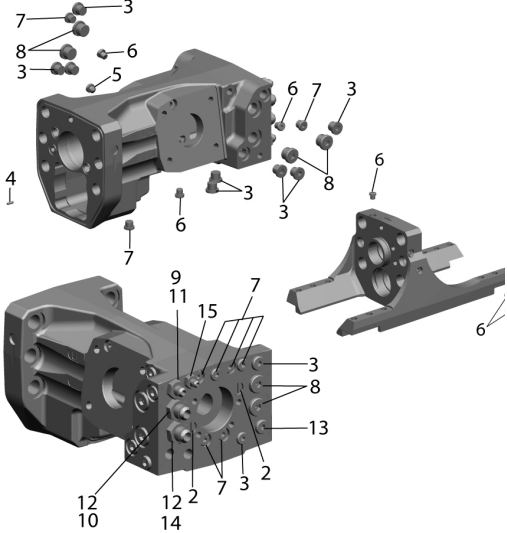
The spacer body mounts are worn and require machining.





**BODY FITTING KIT**

<b>Parts</b>	<b>Condition Code Index</b>	4 - Damaged	8 - Contamination
	1 - Service Item	5 - Misalignment	9 - Scored
	2 - Missing	6 - Non OEM Parts	10 - Reuse
	3 - Worn beyond limits	7 - Lack of Lubrication	11 - Refer to Comments



Ref.	Part Description	Qty	Cond. code	Comment
*	BODY FITTINGS	1	1	
9	STRAIGHT THREAD ADAPTER	3	1	
11	PLUG	3	1	

